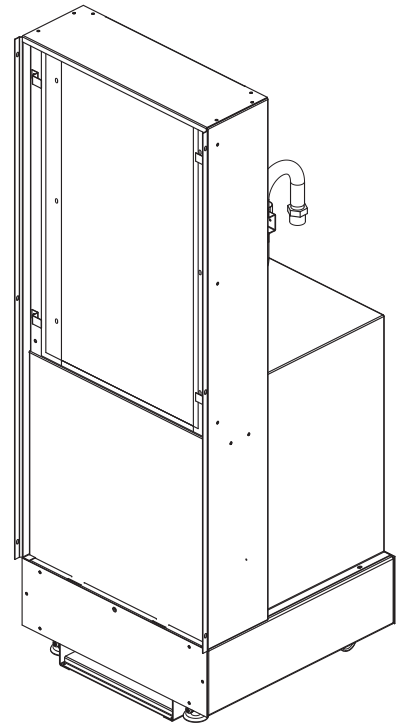
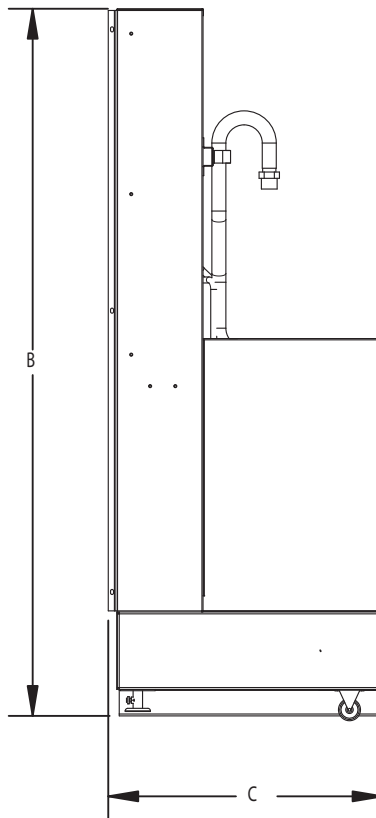
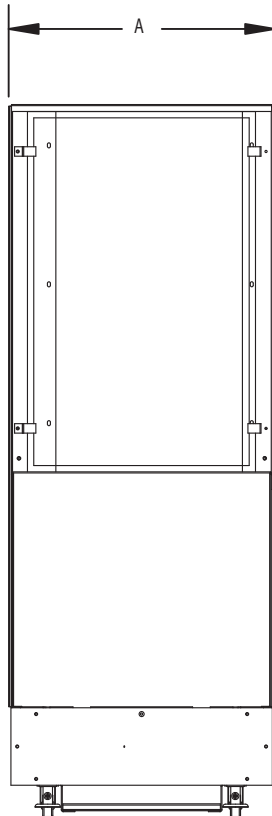


Vertical Stack Water Source Heat Pumps

Chassis

Dimensional Data

Unit Size	A	B	C
09-12	16-1/32"	37"	16-3/32"
15-18		44"	
24-36	22-1/32"	46"	23"



Contractor _____

Architect _____

Engineer _____

Representative _____

Location _____

zehnder
Rittling

BUFFALO, NY USA

TITLE

ZR_VSWSHP_Chassis

DRAWING NUMBER

April 16, 2012