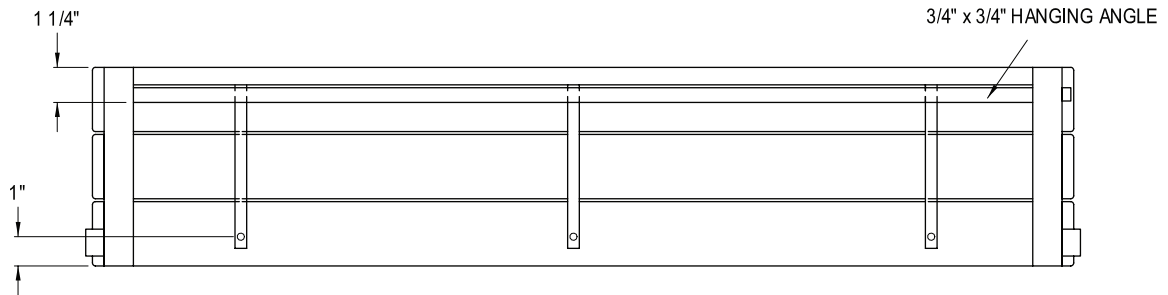


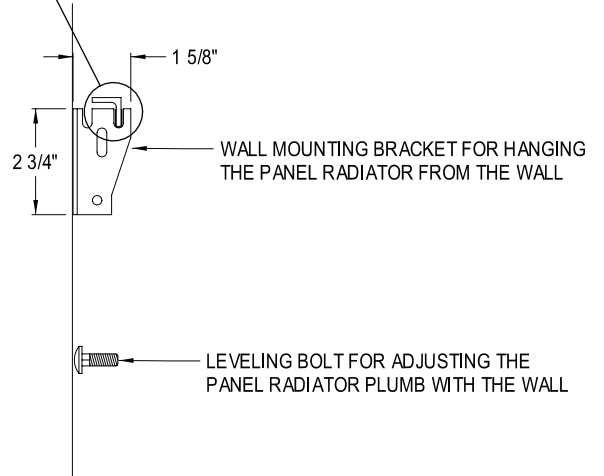
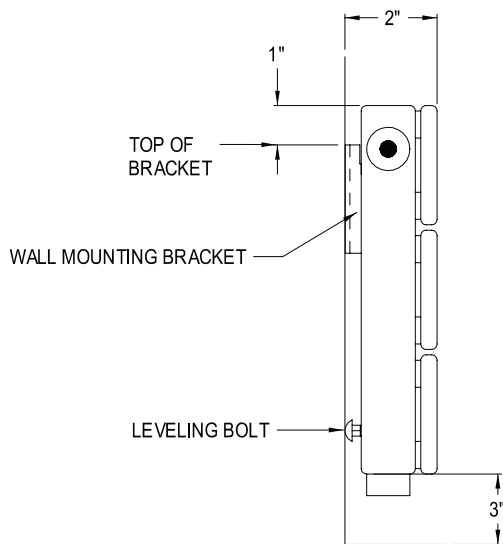
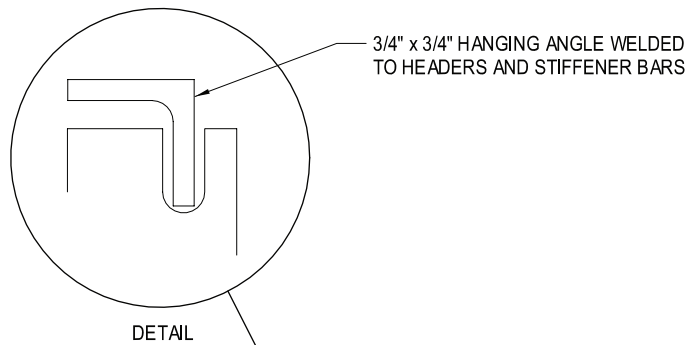
# Rittling Steel Panel Radiator

## PR Wall Mount (Back View) Typical Bracket Installation



Panel length	Qty. of brackets/ pedestals *
2'0" – 5'0"	2 pieces
5'2" – 11'6"	3 pieces
11'8" – 19'8"	4 pieces

\* A LEVELING BOLT IS SUPPLIED FOR EACH BRACKET



Contractor \_\_\_\_\_  
 Architect \_\_\_\_\_  
 Engineer \_\_\_\_\_  
 Representative \_\_\_\_\_  
 Location \_\_\_\_\_

**zehnder**  
 Rittling

BUFFALO, NY USA

TITLE

**ZR\_PanRad\_PR\_WallMount**

DRAWING NUMBER

May 13, 2015