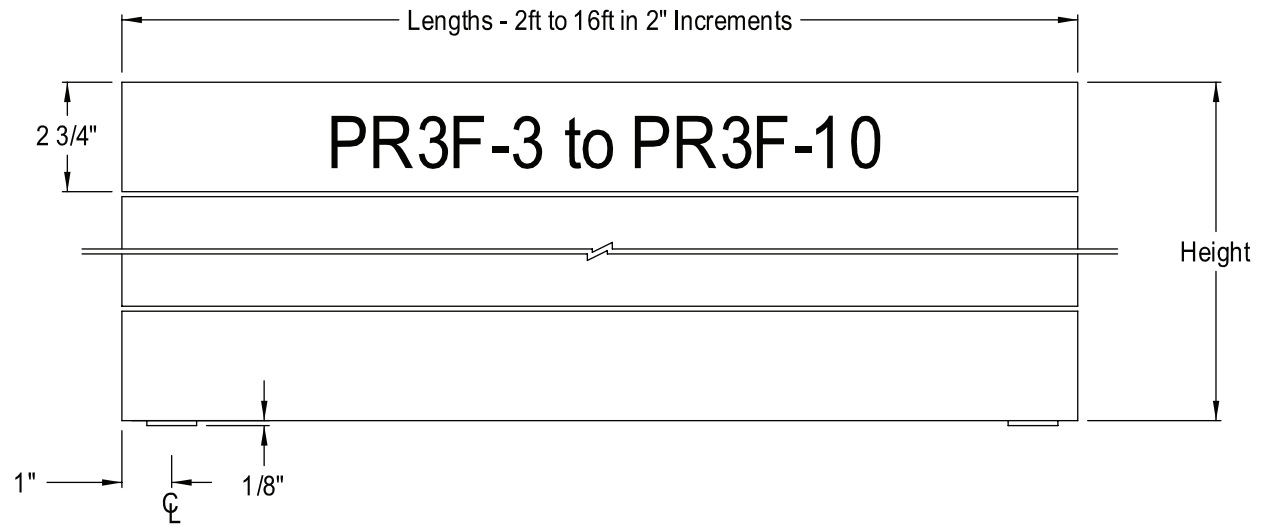
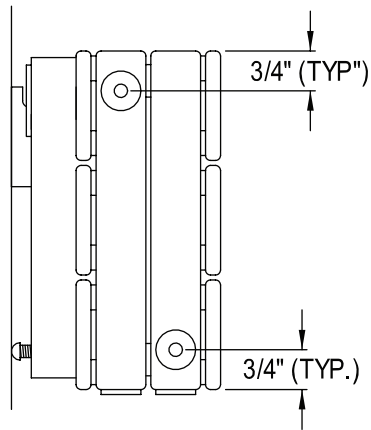
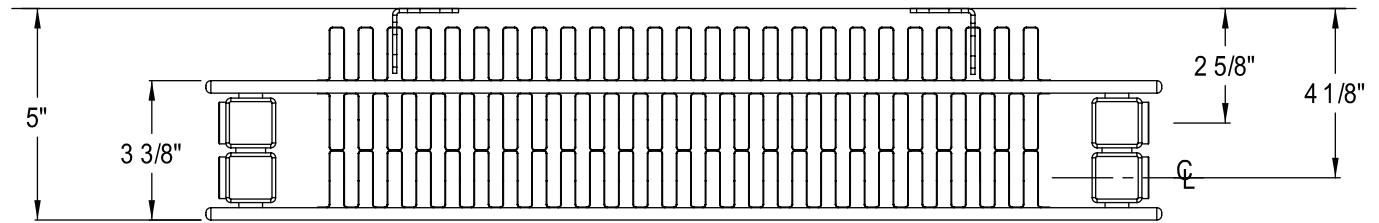


# Rittling Steel Panel Radiator

PR3F-3 to PR3F-10



Panel rows	Height
PR3F-3	8-5/8"
PR3F-4	11-1/2"
PR3F-5	14-3/8"
PR3F-6	17-1/4"
PR3F-7	20-1/4"
PR3F-8	23-1/8"
PR3F-9	26-1/8"
PR3F-10	29"

ALL PR3F UNITS PROVIDED WITH SUPPLY CONNECTION ON FRONT HEADER AND RETURN CONNECTION ON REAR HEADER.  
UNIT SHOWN WITH SIDE AND BOTTOM CONNECTIONS FOR DIMENSIONAL PURPOSES ONLY.

\*\*\*PLEASE REFER TO PIPE CONNECTION SHEET FOR CONNECTION LOCATIONS AND SIZES OFFERED.\*\*\*

**zehnder**  
Rittling

BUFFALO, NY USA

TITLE

**ZR\_PanRad\_PR3F-3toPR3F-10**

DRAWING NUMBER

April 1, 2012

Contractor \_\_\_\_\_ Representative \_\_\_\_\_

Architect \_\_\_\_\_ Location \_\_\_\_\_

Engineer \_\_\_\_\_