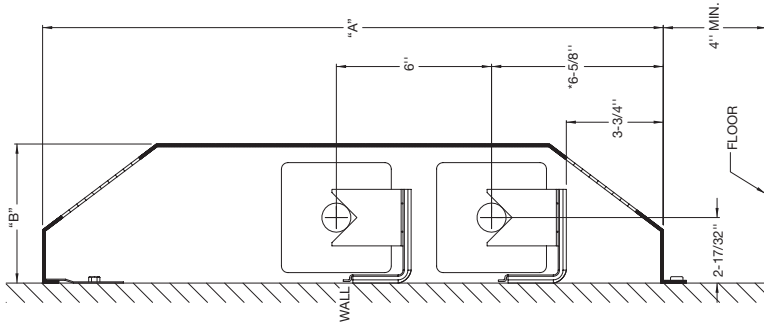
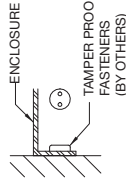
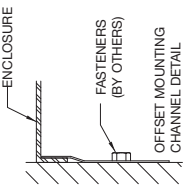


# Zehnder Rittling



\* CENTERLINES ARE BASED ON 1" COPPER TUBE

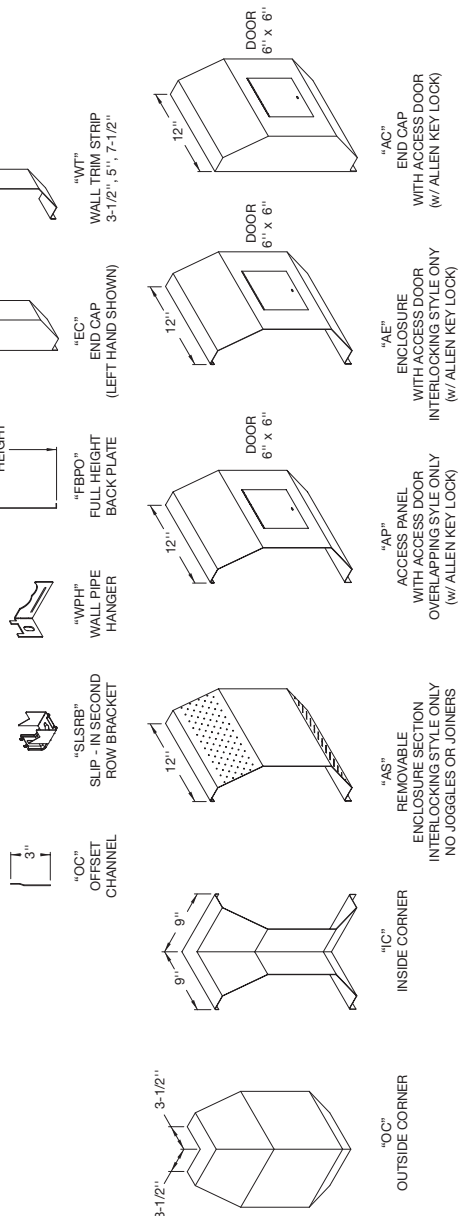
MODEL	PIPE SIZE		FIN SIZE	A	B
	STEEL	COPPER			
S - DSP5	N/A	3/4", 1", 1-1/4"	2-3/4" x 4"	12	5-3/8"
	1", 1-1/4", 2"	3/4", 1", 1-1/4"	3-1/4" x 3-1/4"	18	
	1", 1-1/4", 2"	3/4", 1", 1-1/4"	4-1/4" x 4-1/4"	24	



ENCLOSURES ARE AVAILABLE IN 1 FT. TO 8 FT. LENGTHS IN 6 IN. INCREMENTS

ACCESS DOOR ALSO AVAILABLE IN ENCLOSURE

## ACCESSORIES



- NOTE:
- 1) ALL ACCESSORIES OVERLAP (EXCEPT AS NOTED)
  - 2) INTERLOCKING STYLE OPTIONAL (EXCEPT AS NOTED)



CONTRACTOR \_\_\_\_\_ ELEMENT \_\_\_\_\_

ARCHITECT \_\_\_\_\_ RATING \_\_\_\_\_ BTU \_\_\_\_\_ A.W.T. \_\_\_\_\_ E.A.T. \_\_\_\_\_

ENGINEER \_\_\_\_\_ BACKPLATE \_\_\_\_\_ FULL \_\_\_\_\_ PARTIAL \_\_\_\_\_

REPRESENTATIVE \_\_\_\_\_ ENCL. GAUGE \_\_\_\_\_ MATERIAL \_\_\_\_\_

LOCATION \_\_\_\_\_ COLOR \_\_\_\_\_ DAMPER \_\_\_\_\_

ZEHNDER RITTLING  
100 RITTLING BLVD. • BUFFALO, NY USA 14220

JOB: \_\_\_\_\_

ENCLOSURE MODEL: **S-DSP5**

DATE: **January 2011** DWG.NO.: **S-DSP5**