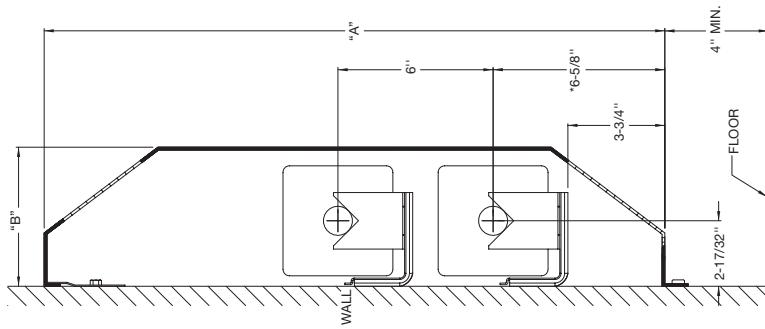
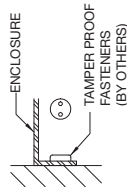
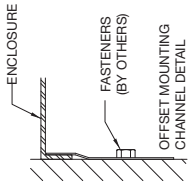


Zehnder Rittling

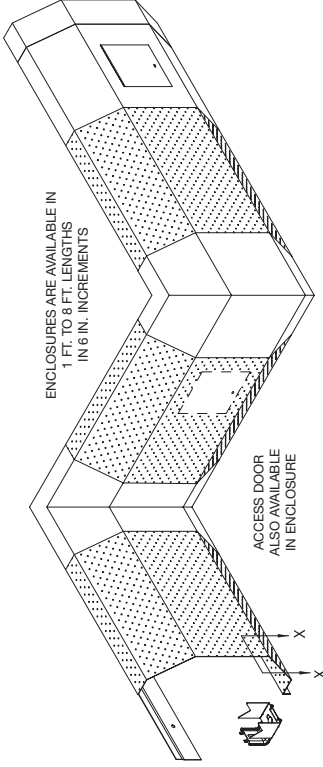


* CENTERLINES ARE BASED ON 1" COPPER TUBE

MODEL	PIPE SIZE		FIN SIZE	A	B
	STEEL	COPPER			
PDS5	N/A	3/4", 1", 1-1/4"	2-3/4" x 4"	12	5-3/8"
	1", 1-1/4", 2"	3/4", 1", 1-1/4"	3-1/4" x 3-1/4"	18	
	1", 1-1/4", 2"	3/4", 1", 1-1/4"	4-1/4" x 4-1/4"	24	

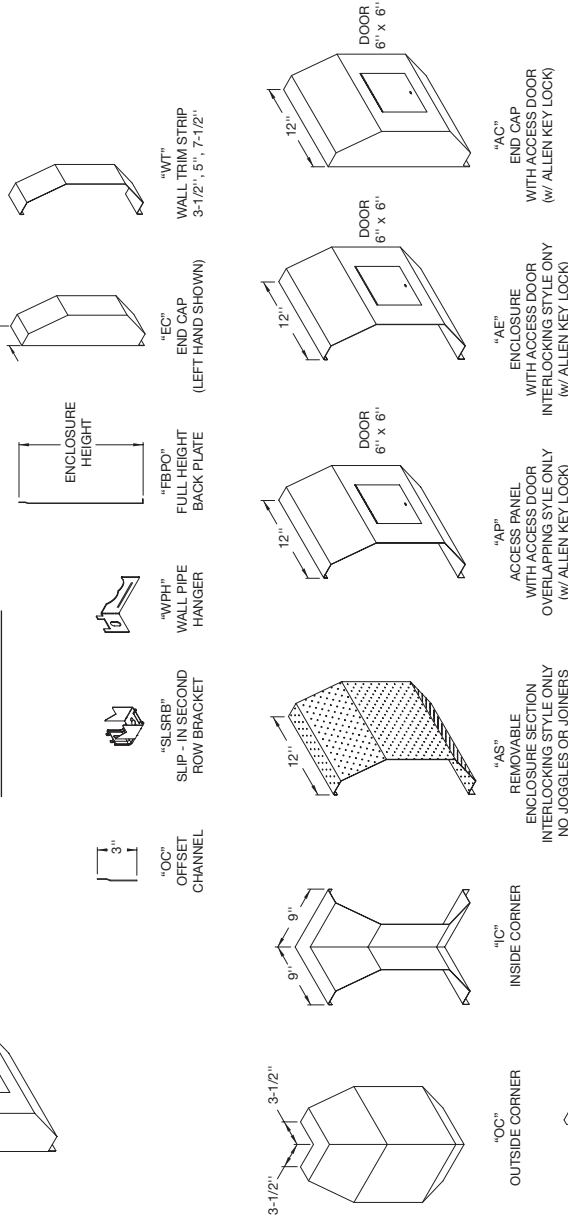


ENCLOSURES ARE AVAILABLE IN 1 FT. TO 8 FT. LENGTHS IN 6 IN. INCREMENTS



ACCESS DOOR ALSO AVAILABLE IN ENCLOSURE

ACCESSORIES



NOTE:
1) ALL ACCESSORIES OVERLAP (EXCEPT AS NOTED)
2) INTERLOCKING STYLE OPTIONAL (EXCEPT AS NOTED)



CONTRACTOR _____ ELEMENT _____

ARCHITECT _____ RATING _____ BTU _____ A.W.T. _____ E.A.T. _____

ENGINEER _____ BACKPLATE _____ FULL _____ PARTIAL _____

REPRESENTATIVE _____ ENCL. GAUGE _____ MATERIAL _____

LOCATION _____ COLOR _____ DAMPER _____

ZEHNDER RITTLING
100 RITTLING BLVD. • BUFFALO, NY USA 14220

JOB: _____

ENCLOSURE MODEL: **PDS5**

DATE: **January 2011** DWG.NO.: **PDS5**