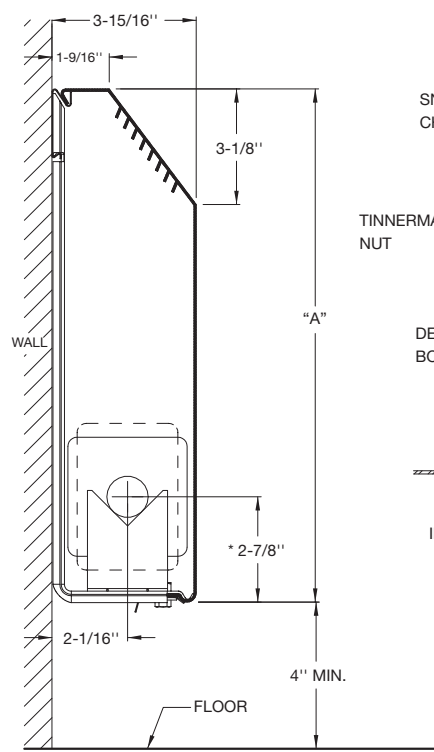
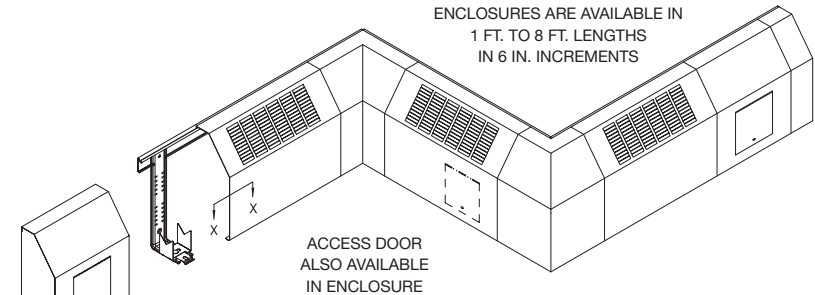
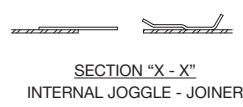
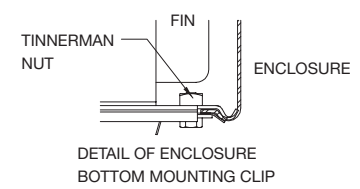
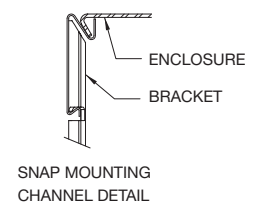


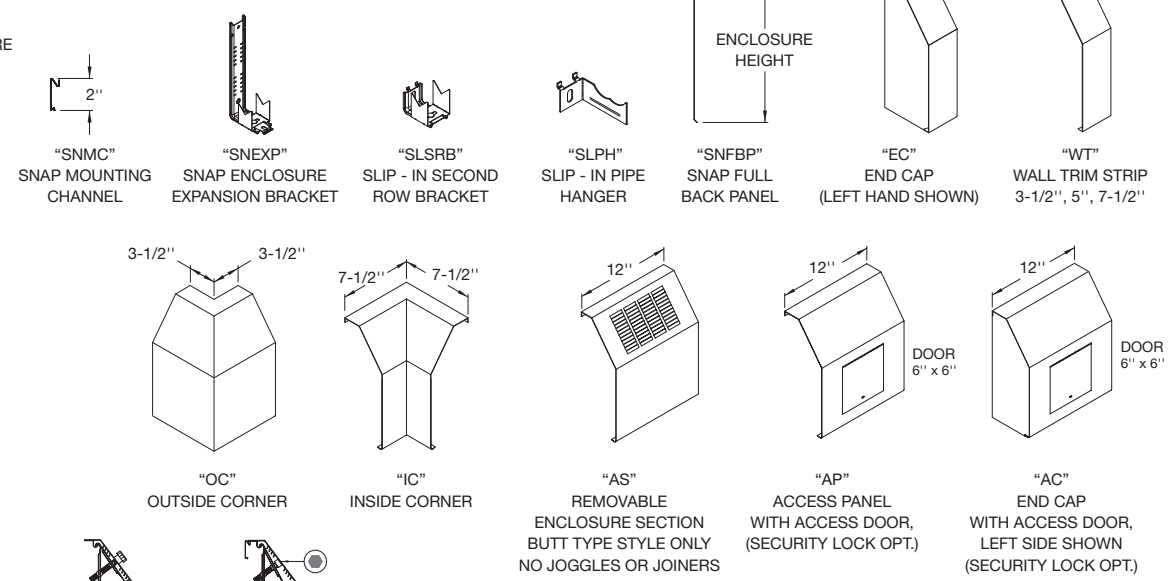
ENCLOSURES ARE AVAILABLE IN  
1 FT. TO 8 FT. LENGTHS  
IN 6 IN. INCREMENTS



\* CENTERLINES ARE BASED ON 1" COPPER TUBE



## ACCESSORIES



NOTE:  
1) ALL ACCESSORIES OVERLAP (EXCEPT AS NOTED)  
2) BUTT TYPE (INTERLOCKING) STYLE OPTIONAL (EXCEPT AS NOTED)



MODEL	PIPE SIZE		FIN SIZE	A
	STEEL	COPPER		
FS3	N/A	3/4", 1", 1-1/4"	2-3/4" x 4"	8"
	1", 1-1/4"	3/4", 1", 1-1/4"	3-1/4" x 3-1/4"	11"
				14"

CONTRACTOR _____	ELEMENT _____	ZEHNDER RITTLING 100 RITTLING BLVD. • BUFFALO, NY USA 14220
ARCHITECT _____	RATING _____ BTU _____ A.W.T. _____ E.A.T. _____	JOB: _____
ENGINEER _____	BACKPLATE _____ FULL _____ PARTIAL _____	ENCLOSURE MODEL: <b>FS3</b>
REPRESENTATIVE _____	ENCL. GAUGE _____ MATERIAL _____	DATE: <b>May 2012</b>
LOCATION _____	COLOR _____ DAMPER _____	DWG.NO.: <b>FS3</b>