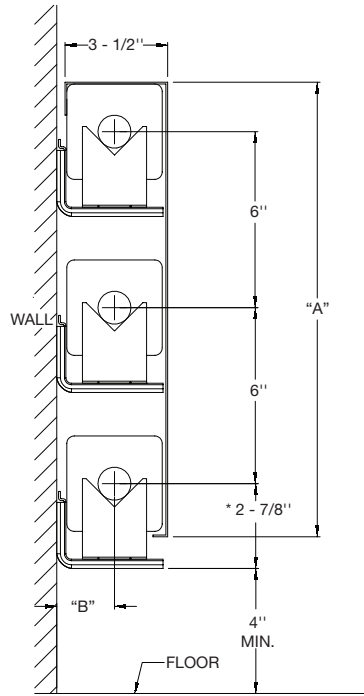
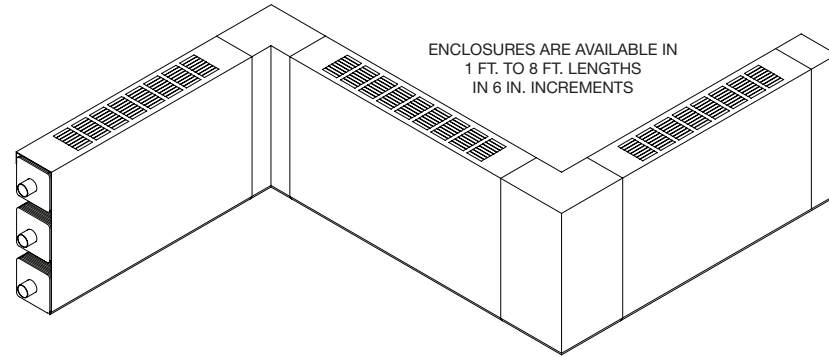


zehnder Rittling



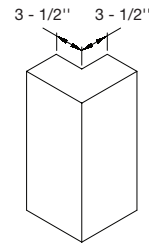
* CENTERLINES ARE BASED ON 1" COPPER TUBE



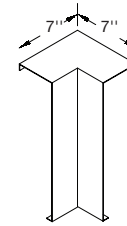
ACCESSORIES



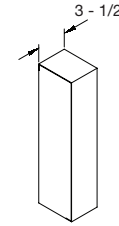
SLIP - IN SECOND ROW BRACKET



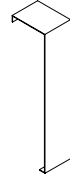
"OC" OUTSIDE CORNER



"IC" INSIDE CORNER



"EC" END CAP (LEFT HAND SHOWN)



"WT" WALL TRIM STRIP
3 - 1/2", 5", 7 - 1/2"

MODEL	PIPE SIZE		FIN SIZE	A	B
	STEEL	COPPER			
ETO	1 - 1/4" - 2"	1", 1 - 1/4"	3 - 1/4" x 3 - 1/4"	3 - 5/8" 9 - 5/8" 15 - 5/8"	1 - 31/32"

* ALL ACCESSORIES OVERLAP
** BUTT - TYPE OPTIONAL



CONTRACTOR _____ ELEMENT _____

ARCHITECT _____ RATING _____ BTU _____ A.W.T. _____ E.A.T. _____

ENGINEER _____ BACKPLATE _____ FULL _____ PARTIAL _____

REPRESENTATIVE _____ ENCL. GAUGE _____ MATERIAL _____

LOCATION _____ COLOR _____ DAMPER _____

ZEHNDER RITTLING
100 RITTLING BLVD. • BUFFALO, NY USA 14220

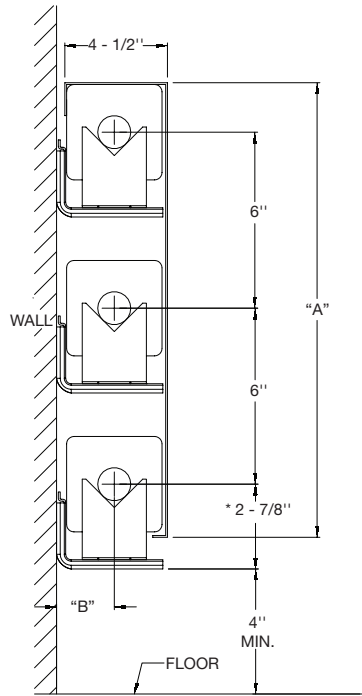
JOB:

ENCLOSURE MODEL: **ETO3**

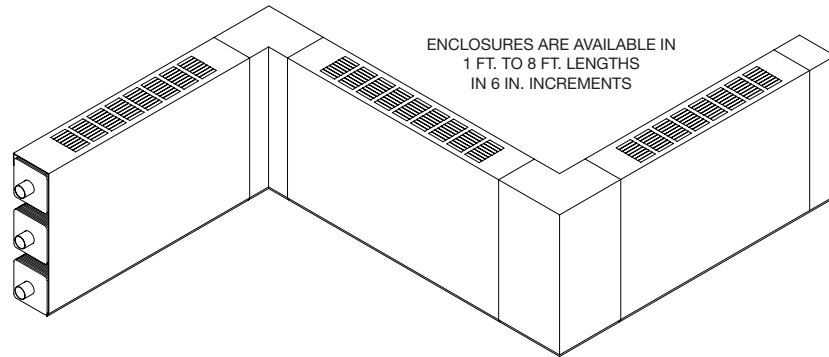
DATE: **January 2011**

DWG.NO.: **ETO3**

zehnder Rittling



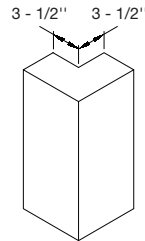
* CENTERLINES ARE BASED ON 1" COPPER TUBE



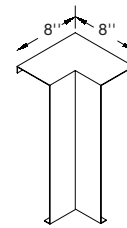
ACCESSORIES



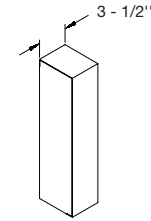
SLIP - IN SECOND ROW BRACKET



"OC" OUTSIDE CORNER



"IC" INSIDE CORNER



"EC" END CAP (LEFT HAND SHOWN)



"WT" WALL TRIM STRIP 3 - 1/2", 5", 7 - 1/2"

MODEL	PIPE SIZE		FIN SIZE	A	B
	STEEL	COPPER			
ETO	1 - 1/4" - 2"	1", 1 - 1/4"	4 - 1/4" x 4 - 1/4"	4 - 5/8" 10 - 5/8" 16 - 5/8"	2 - 17/32"

* ALL ACCESSORIES OVERLAP
** BUTT - TYPE OPTIONAL



CONTRACTOR _____ ELEMENT _____

ARCHITECT _____ RATING _____ BTU _____ A.W.T. _____ E.A.T. _____

ENGINEER _____ BACKPLATE _____ FULL _____ PARTIAL _____

REPRESENTATIVE _____ ENCL. GAUGE _____ MATERIAL _____

LOCATION _____ COLOR _____ DAMPER _____

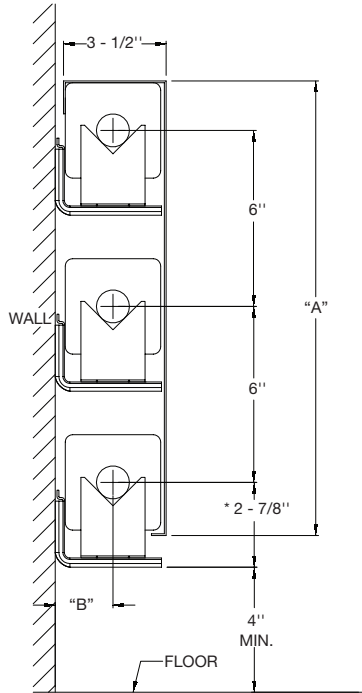
ZEHNDER RITTLING
100 RITTLING BLVD. • BUFFALO, NY USA 14220

JOB:

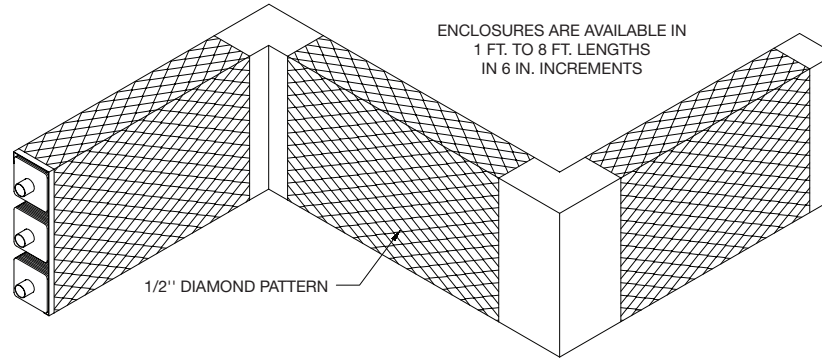
ENCLOSURE MODEL: **ETO4**

DATE: **January 2011**

DWG.NO.: **ETO4**



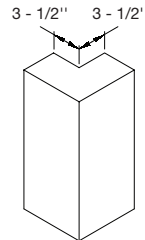
* CENTERLINES ARE BASED ON 1" COPPER TUBE



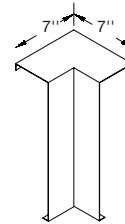
ACCESSORIES



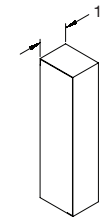
SLIP - IN SECOND ROW BRACKET



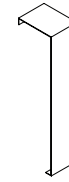
"OC" OUTSIDE CORNER



"IC" INSIDE CORNER



"EC" END CAP (LEFT HAND SHOWN)



"WT" WALL TRIM STRIP 3 - 1/2", 5", 7 - 1/2"

MODEL	PIPE SIZE		FIN SIZE	A	B
	STEEL	COPPER			
EXO	1 - 1/4" - 2"	1", 1 - 1/4"	3 - 1/4" x 3 - 1/4" 3 - 1/2" 9 - 1/2" 15 - 1/2"		1 - 31/32"

* ALL ACCESSORIES OVERLAP
** BUTT - TYPE OPTIONAL



CONTRACTOR _____ ELEMENT _____
 ARCHITECT _____ RATING _____ BTU _____ A.W.T. _____ E.A.T. _____
 ENGINEER _____ BACKPLATE _____ FULL _____ PARTIAL _____
 REPRESENTATIVE _____ ENCL. GAUGE _____ MATERIAL _____
 LOCATION _____ COLOR _____ DAMPER _____

ZEHNDER RITTLING
100 RITTLING BLVD. • BUFFALO, NY USA 14220

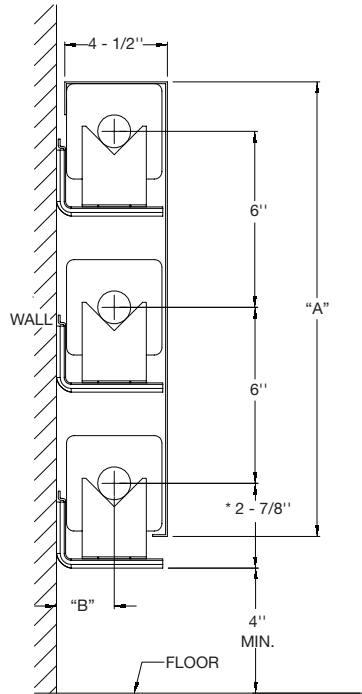
JOB:

ENCLOSURE MODEL: **EXO3**

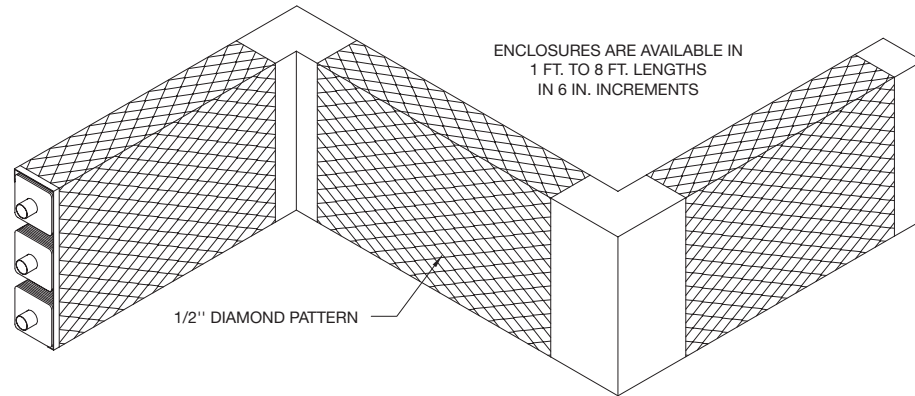
DATE: **January 2011**

DWG.NO.: **EXO3**

zehnder Rittling



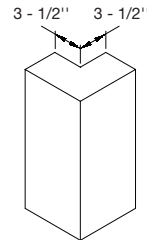
* CENTERLINES ARE BASED ON 1" COPPER TUBE



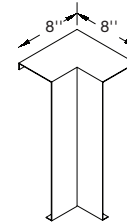
ACCESSORIES



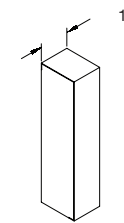
SLIP - IN SECOND ROW BRACKET



"OC"
OUTSIDE CORNER



"IC"
INSIDE CORNER



"EC"
END CAP
(LEFT HAND SHOWN)



"WT"
WALL TRIM STRIP
3 - 1/2", 5", 7 - 1/2"

MODEL	PIPE SIZE		FIN SIZE	A	B
	STEEL	COPPER			
EXO	1 - 1/4" - 2"	1", 1 - 1/4"	4 - 1/4" x 4 - 1/4"	4 - 1/2" 10 - 1/2" 16 - 1/2"	2 - 17/32"

* ALL ACCESSORIES OVERLAP
** BUTT - TYPE OPTIONAL



CONTRACTOR _____ ELEMENT _____

ARCHITECT _____ RATING _____ BTU _____ A.W.T. _____ E.A.T. _____

ENGINEER _____ BACKPLATE _____ FULL _____ PARTIAL _____

REPRESENTATIVE _____ ENCL. GAUGE _____ MATERIAL _____

LOCATION _____ COLOR _____ DAMPER _____

ZEHNDER RITTLING
100 RITTLING BLVD. • BUFFALO, NY USA 14220

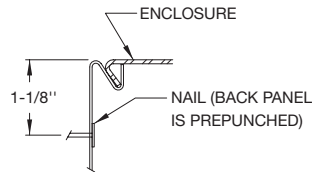
JOB:

ENCLOSURE MODEL: **EXO4**

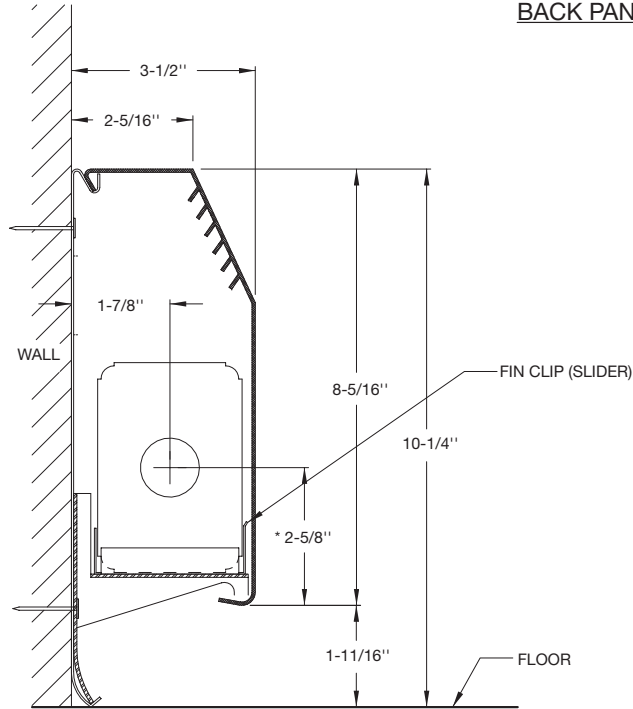
DATE: **January 2011**

DWG.NO.: **EXO4**

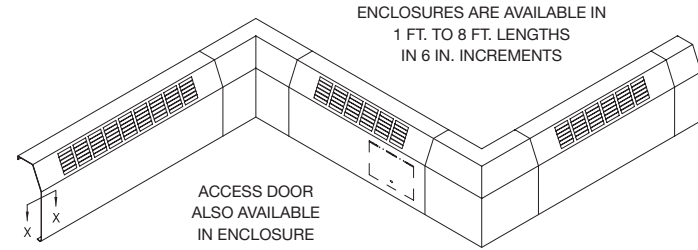
zehnder Rittling



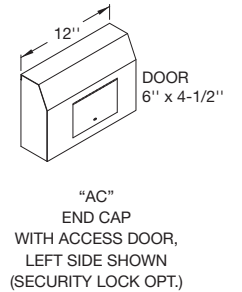
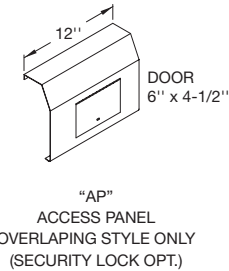
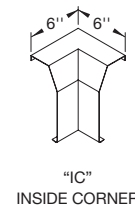
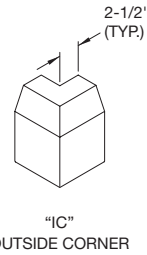
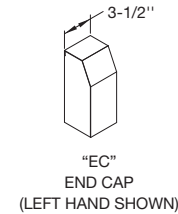
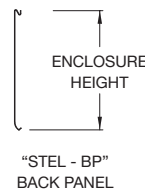
BACK PANEL DETAIL



* CENTERLINES BASED ON 1" COPPER TUBE



ACCESSORIES



NOTE:

- 1) ALL ACCESSORIES OVERLAP (EXCEPT AS NOTED)
- 2) INTERLOCKING STYLE OPTIONAL (EXCEPT AS NOTED)
- 3) ALL ENCLOSURES AND ACCESSORIES ARE WITHOUT JOGGLES AND JOINERS



MODEL	PIPE SIZE	FIN SIZE
	COPPER	
STEL	3/4", 1", 1-1/4"	2-3/4" x 4"

CONTRACTOR _____ ELEMENT _____

ARCHITECT _____ RATING _____ BTU _____ A.W.T. _____ E.A.T. _____

ENGINEER _____ BACKPLATE _____ FULL _____ PARTIAL _____

REPRESENTATIVE _____ ENCL. GAUGE _____ MATERIAL _____

LOCATION _____ COLOR _____ DAMPER _____

ZEHNDER RITTLING
100 RITTLING BLVD. • BUFFALO, NY USA 14220

JOB:

ENCLOSURE MODEL: **STEL**

DATE: **January 2011**

DWG.NO.: **STEL**