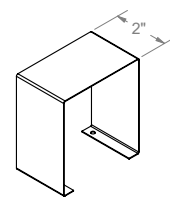
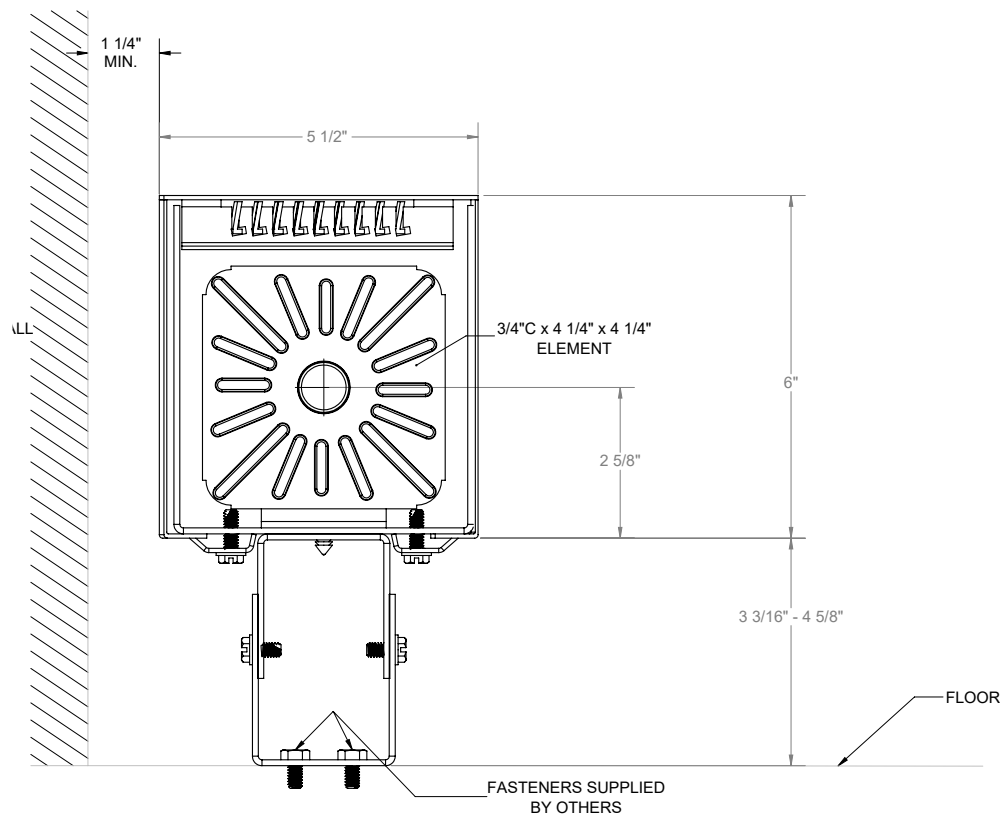
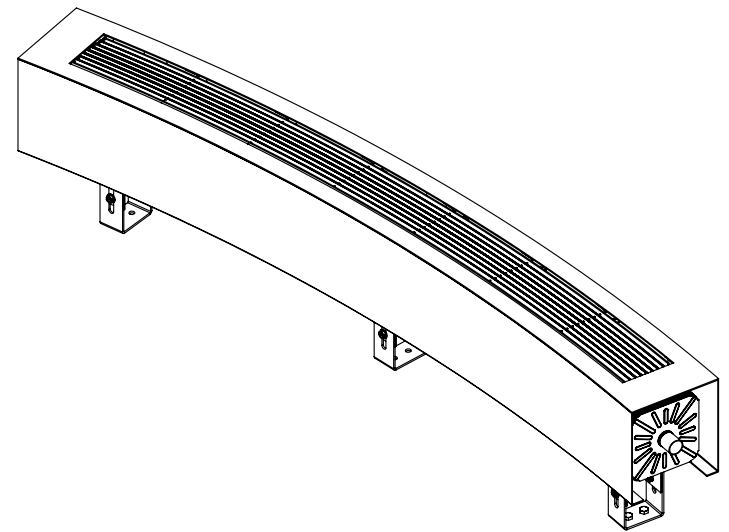
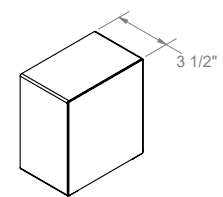


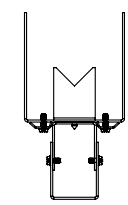
**zehnder** Rittling



WALL TRIM



END CAP



ADJUSTABLE PEDESTAL BRACKET



CONTRACTOR _____	ELEMENT _____	ZEHNDER RITTLING 100 RITTLING BLVD. • BUFFALO, NY USA 14220	
ARCHITECT _____	RATING _____	BTU _____	A.W.T. _____ E.A.T. _____
ENGINEER _____	BACKPLATE _____	FULL _____	PARTIAL _____
REPRESENTATIVE _____	ENCL. GAUGE _____	MATERIAL _____	JOB: _____
LOCATION _____	COLOR _____	DAMPER _____	ENCLOSURE MODEL: <b>Curved PIBG506 Enclosure</b>
		DATE: <b>April 2021</b>	DWG.NO.: <b>PIBG506</b>