

# Explosion proof thermostat

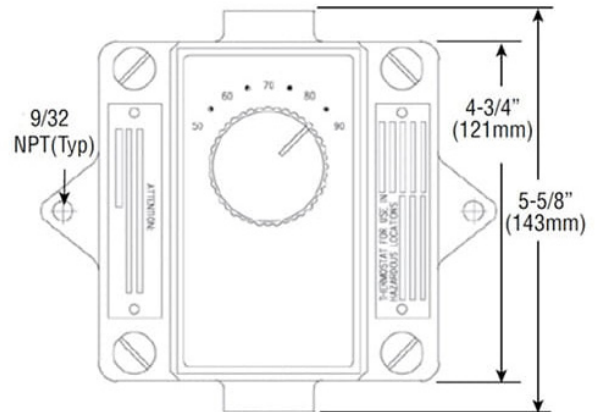


## Features and benefits

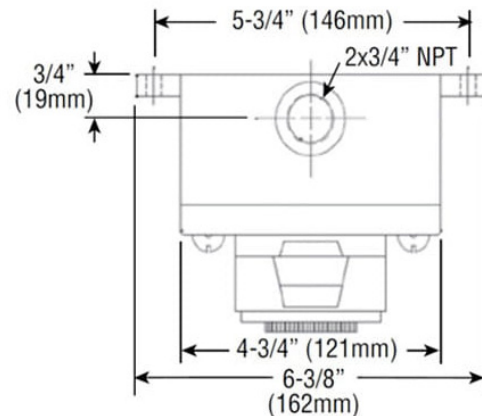
- Bi-metal temperature sensor
- DPDT Snap action switch operation
- 1/2" Cast Aluminum housing
- NEMA Class 7, Div 1 approved
- Top and bottom 3/4" NPT taps
- Scale range
  - ◆ 50 to 90 °F; scale marked 50, 60, 70, 80, 90
  - ◆ (10 to 32 °C; scale marked 10, 16, 21, 27, 32)

## Specifications

- **Underwriters Laboratories, Inc. listed:**
  - ◆ Explosion-proof enclosure: Class I, Groups C and D and Class 2, Groups E, F, and G
- **Electrical ratings (amperes)**
  - ◆ 22A at 120-277VAC
  - ◆ 3/4 HP at 120VAC
  - ◆ 1.5 HP at 277VAC
- **Pilot duty rating**
  - ◆ 125 VA
- **Differential**
  - ◆ 2 °F (0.6 °C)
- **Switching**
  - ◆ Snap-acting switch makes on temperature fall for heating
- **Cover**
  - ◆ Molded cover



Front View



Top View