

120V AC/DC Relay

zehnder

Description

Relay module with miniature switching relay, for DIN 35 rail

Specifications

relays and contact type

- One SPDT

Contact material

- AgSnO

Max. continuous current

- 6A

Max. switching voltage

- 250 VAC

Max. switching power (resistive)

- 1500 VA AC; DC see load limit curve

Pull in/ drop-out/ bounce time

- 6ms/15ms/-

Dimensions (mm) W x H x L

- 6.2 x 80 x 94

Wire connection

- Push-in connection

Approvals

- UL Listed, E172140

Mechanical life

- 2×10^7 cycles

Coil voltage

- 120V AC/110V DC

Dielectric strength, contact-coil (AC, 1 min)

- $4 \text{ kV}_{\text{rms}}$

Ambient operating temperature at V_N

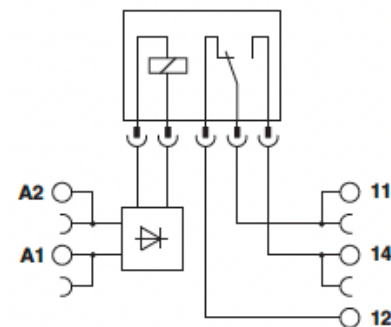
- $-40 \text{ }^\circ\text{C} \dots +55 \text{ }^\circ\text{C}$

Cross sections

- $0.14 \dots 2.5 \text{ mm}^2$ / AWG 26 ... 14

Strip length

- 8 mm / 0.31 in



1. Inductive loads have to be attenuated by an appropriate protective circuit in order to protect relay coils and contacts.

DC Load Limit Curve

