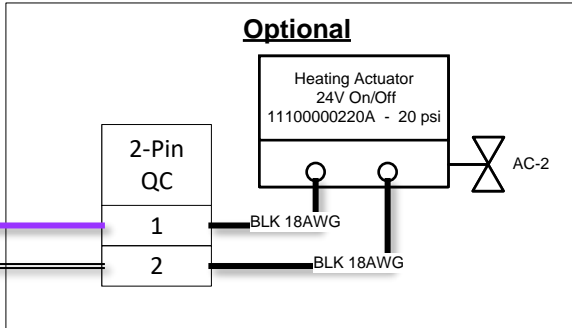
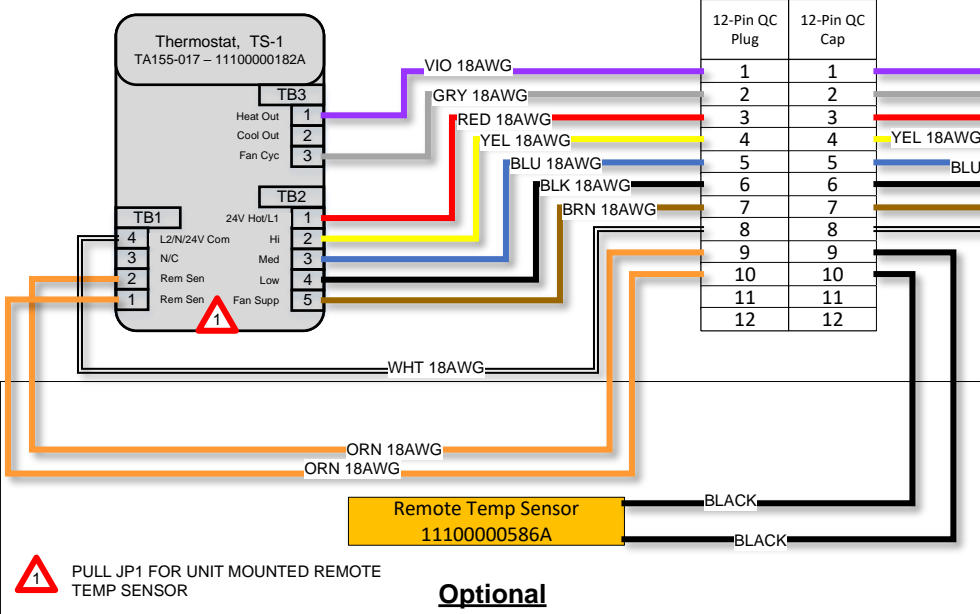


**Transformer - Voltage to Wire Color Chart**

| Voltage | Wire Color |
|---------|------------|
| 120     | White      |
| 208     | Red        |
| 240     | Orange     |
| 277     | Brown      |
| Common  | Black      |

CONNECT SPECIFIED SUPPLY VOLTAGE PER WIRE COLOR LEAD ON TRANSFORMER TO L1 CONNECTOR CAP ALL OTHER WIRE COLORS LEADS

**NOTE:**  
MOTOR #2 ONLY PROVIDED ON SIZES 08, 10 & 12



**LEGEND**

- FIELD WIRED
- FACTORY WIRED
- FIELD CONNECTION
- FACT. CONNECTION
- + FACTORY WIRE - NOT CONNECTED
- WIRE TERMINATION

- NOTES:**
- COMPLETE THE WIRING IN ACCORDANCE WITH NATIONAL AND LOCAL CODES.
  - USE SOLID COPPER SUPPLY WIRES.
  - CONNECTOR LABEL MATCHES SUB-PANEL.
  - ONLY USE DIRECT REPLACEMENT COMPONENTS.
  - FIELD INSTALLED REMOTE TEMPERATURE SENSOR: WIRE TO THERMOSTAT TB1 TERMINALS 1 AND 2.
  - CONTROLLER SHIPPED LOOSE IF WALL MOUNTED.
  - CONTROL VALVE IS SHIPPED LOOSE.

**CAUTION:** NOT FOLLOWING PROPER WIRING PROCEDURE CAN CAUSE INJURY OR DEATH.

|            | NAME | DATE     |
|------------|------|----------|
| DRAWN BY   | DH   | 11/15/24 |
| MECH APPR. | --   | --       |
| ELEC APPR. | --   | --       |
| ENG APPR.  | --   | --       |
| MFG APPR.  | --   | --       |

**zehnder** Buffalo, New York  
Rittling

DESCRIPTION  
2F4T ECM 3SPD 208-230V  
UMC TEMP CUH DRAWING

| SIZE | PART NO.     | REV. |
|------|--------------|------|
| B    | 11D00035947A | A    |

SHEET 1 OF 1

PROPRIETARY AND CONFIDENTIAL  
THE INFORMATION CONTAINED IN THIS DRAWING IS THE SOLE PROPERTY OF ZEHNDER. ANY REPRODUCTION IN PART OR AS A WHOLE WITHOUT THE WRITTEN PERMISSION OF ZEHNDER IS PROHIBITED.