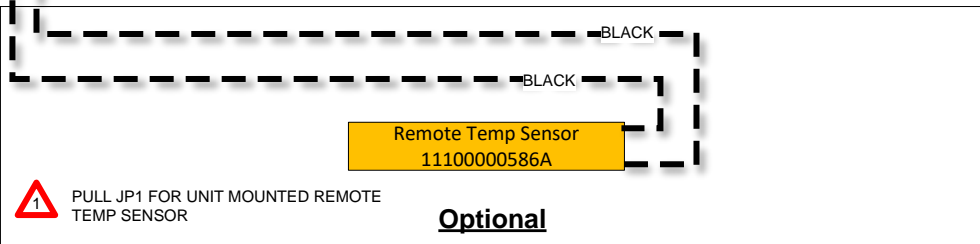
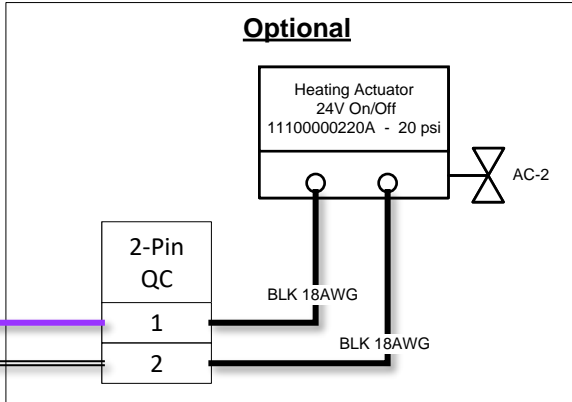


NOTE:
MOTOR #2 ONLY PROVIDED ON SIZES 08, 10 & 12



⚠ PULL JP1 FOR UNIT MOUNTED REMOTE TEMP SENSOR

LEGEND

- FIELD WIRED
- FACTORY WIRED
- FIELD CONNECTION
- FACT. CONNECTION
- + FACTORY WIRE - NOT CONNECTED
- WIRE TERMINATION

- NOTES:**
- COMPLETE THE WIRING IN ACCORDANCE WITH NATIONAL AND LOCAL CODES.
 - USE SOLID COPPER SUPPLY WIRES.
 - CONNECTOR LABEL MATCHES SUB-PANEL.
 - ONLY USE DIRECT REPLACEMENT COMPONENTS.
 - FIELD INSTALLED REMOTE TEMPERATURE SENSOR: WIRE TO THERMOSTAT TB1 TERMINALS 1 AND 2.
 - CONTROLLER SHIPPED LOOSE IF WALL MOUNTED.
 - CONTROL VALVE IS SHIPPED LOOSE.

⚠ CAUTION: NOT FOLLOWING PROPER WIRING PROCEDURE CAN CAUSE INJURY OR DEATH.

	NAME	DATE
DRAWN BY	DH	11/07/24
MECH APPR.	--	--
ELEC APPR.	--	--
ENG APPR.	--	--
MFG APPR.	--	--

zehnder Rittling BUFFALO, NEW YORK

DESCRIPTION

2V4T ECM 3SPD 120/60/1
WMC TEMP CUH DRAWING

SIZE	PART NO.	REV.
B	11D00035943A	A

SHEET 1 OF 1

PROPRIETARY AND CONFIDENTIAL
THE INFORMATION CONTAINED IN THIS DRAWING IS THE SOLE PROPERTY OF ZEHNDER. ANY REPRODUCTION IN PART OR AS A WHOLE WITHOUT THE WRITTEN PERMISSION OF ZEHNDER IS PROHIBITED.