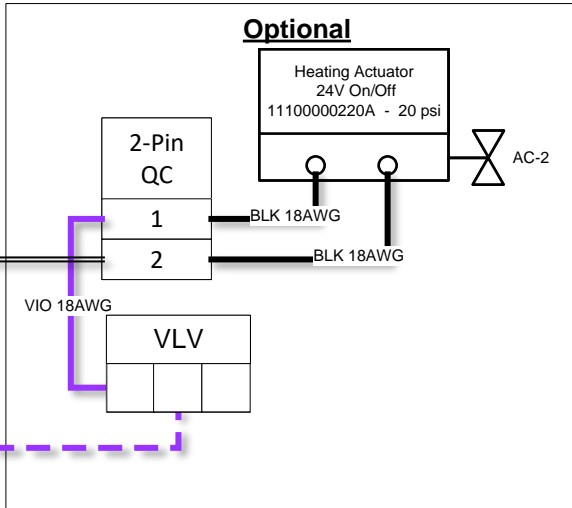


CUSTOMER CONTROLLER	
MOTOR HIGH (24Vac)	YEL 18AWG
MOTOR MED (24Vac)	BLU 18AWG
MOTOR LOW (24Vac)	BLK 18AWG
24Vac HOT / MOTOR SIGNAL VOLTAGE	RED 18AWG
24Vac NEUTRAL	BRN 18AWG
CUSTOMER HEAT SIGNAL 24vac	VIO 18AWG

LEGEND	
---	FIELD WIRED
—	FACTORY WIRED
○	FIELD CONNECTION
○	FACT. CONNECTION
+	FACTORY WIRE - NOT CONNECTED
⌊	WIRE TERMINATION

- NOTES:
- COMPLETE THE WIRING IN ACCORDANCE WITH NATIONAL AND LOCAL CODES.
 - USE SOLID COPPER SUPPLY WIRES.
 - CONNECTOR LABEL MATCHES SUB-PANEL.
 - ONLY USE DIRECT REPLACEMENT COMPONENTS.
 - FIELD INSTALLED REMOTE TEMPERATURE SENSOR: WIRE TO THERMOSTAT TB1 TERMINALS 1 AND 2.
 - CONTROLLER SHIPPED LOOSE IF WALL MOUNTED.
 - CONTROL VALVE IS SHIPPED LOOSE.

NOTE:
MOTOR #2 ONLY PROVIDED ON SIZES 08, 10 & 12



CAUTION: NOT FOLLOWING PROPER WIRING PROCEDURE CAN CAUSE INJURY OR DEATH.

	NAME	DATE
DRAWN BY	DH	10/31/24
MECH APPR.	--	--
ELEC APPR.	--	--
ENG APPR.	--	--
MFG APPR.	--	--

zehnder Buffalo, New York
Rittling

DESCRIPTION
24VT ECM 3SPD 120/60/1
N/A NONE CUH DRAWING

SIZE	PART NO.	REV.
B	11D00035937A	A

SHEET 1 OF 1

PROPRIETARY AND CONFIDENTIAL
THE INFORMATION CONTAINED IN THIS DRAWING IS THE SOLE PROPERTY OF ZEHNDER. ANY REPRODUCTION IN PART OR AS A WHOLE WITHOUT THE WRITTEN PERMISSION OF ZEHNDER IS PROHIBITED.