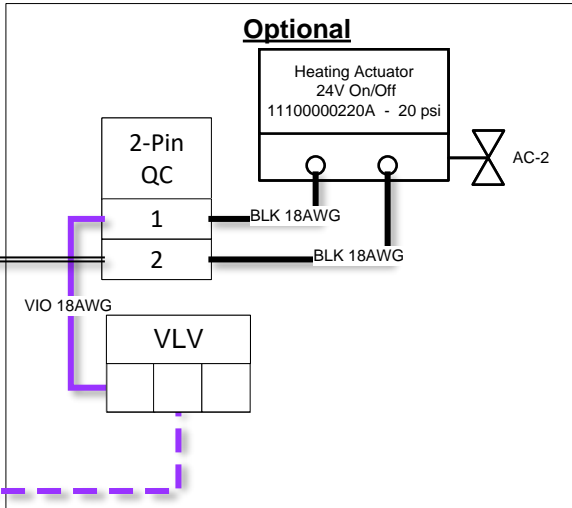


| CUSTOMER CONTROLLER                     |           |
|---|-----------|
| SIGNAL SUPPLY VOLTAGE (24Vac)           | BLK 18AWG |
| MOTOR HIGH (24Vac)                      | YEL 18AWG |
| MOTOR MED (24Vac)                       | BLU 18AWG |
| MOTOR LOW (24Vac)                       | BLK 18AWG |
| 24Vac HOT                               | RED 18AWG |
| 24Vac NEUTRAL                           | BRN 18AWG |
| CUSTOMER FAN CONTROL/ HEAT SIGNAL 24Vac | VIO 18AWG |

**NOTE:**  
MOTOR #2 ONLY PROVIDED ON SIZES 08, 10 & 12



| LEGEND |                              |
|--------|------------------------------|
| ---    | FIELD WIRED                  |
| —      | FACTORY WIRED                |
| ○      | FIELD CONNECTION             |
| ○      | FACT. CONNECTION             |
| +      | FACTORY WIRE - NOT CONNECTED |
| ┌      | WIRE TERMINATION             |

- NOTES:
- COMPLETE THE WIRING IN ACCORDANCE WITH NATIONAL AND LOCAL CODES.
  - USE SOLID COPPER SUPPLY WIRES.
  - CONNECTOR LABEL MATCHES SUB-PANEL.
  - ONLY USE DIRECT REPLACEMENT COMPONENTS.
  - FIELD INSTALLED REMOTE TEMPERATURE SENSOR: WIRE TO THERMOSTAT TB1 TERMINALS 1 AND 2.
  - CONTROLLER SHIPPED LOOSE IF WALL MOUNTED.
  - CONTROL VALVE IS SHIPPED LOOSE.

**CAUTION:** NOT FOLLOWING PROPER WIRING PROCEDURE CAN CAUSE INJURY OR DEATH.

|            | NAME | DATE     |
|------------|------|----------|
| DRAWN BY   | DH   | 11/07/24 |
| MECH APPR. | --   | --       |
| ELEC APPR. | --   | --       |
| ENG APPR.  | --   | --       |
| MFG APPR.  | --   | --       |

**zehnder** Rittling BUFFALO, NEW YORK

DESCRIPTION  
24FC ECM 3SPD 120/60/1  
N/A NONE CUH DRAWING

|      |              |      |
|------|--------------|------|
| SIZE | PART NO.     | REV. |
| B    | 11D00035935A | A    |

SHEET 1 OF 1

**PROPRIETARY AND CONFIDENTIAL**  
THE INFORMATION CONTAINED IN THIS DRAWING IS THE SOLE PROPERTY OF ZEHNDER. ANY REPRODUCTION IN PART OR AS A WHOLE WITHOUT THE WRITTEN PERMISSION OF ZEHNDER IS PROHIBITED.