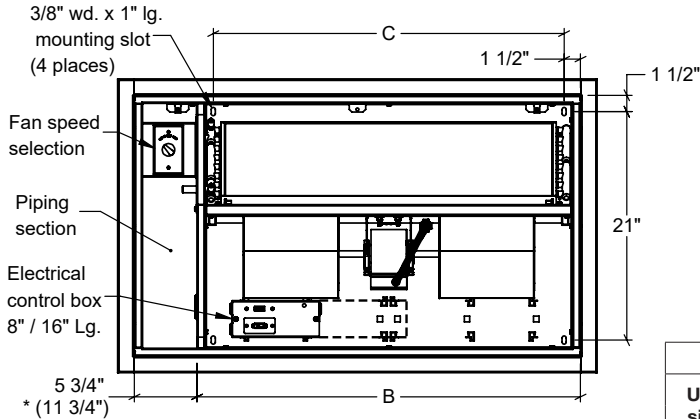
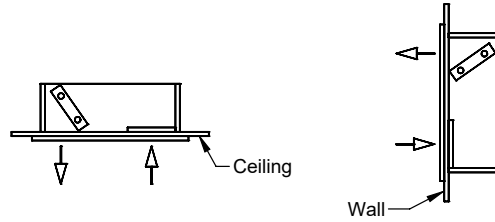
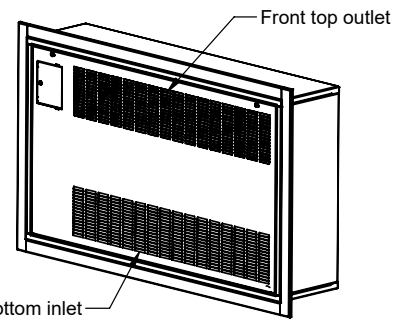
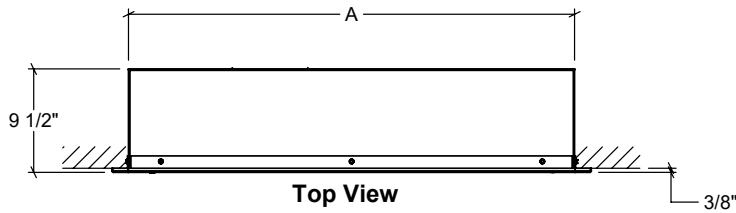


Rittling Cabinet Unit Heater

Submittal Data

Model: RCW-420 - Recessed

Dimensions and Data

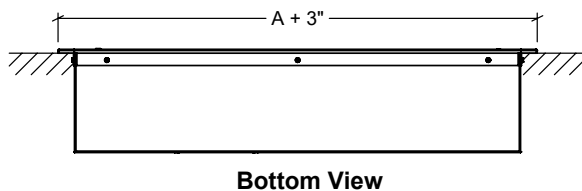
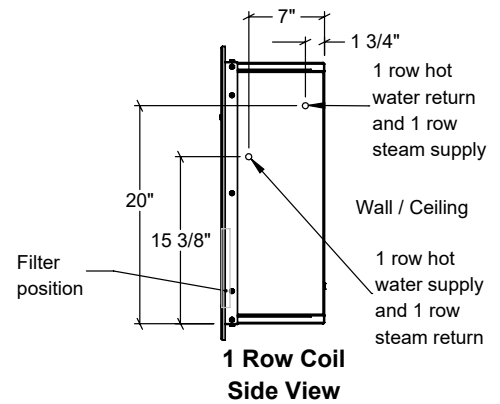
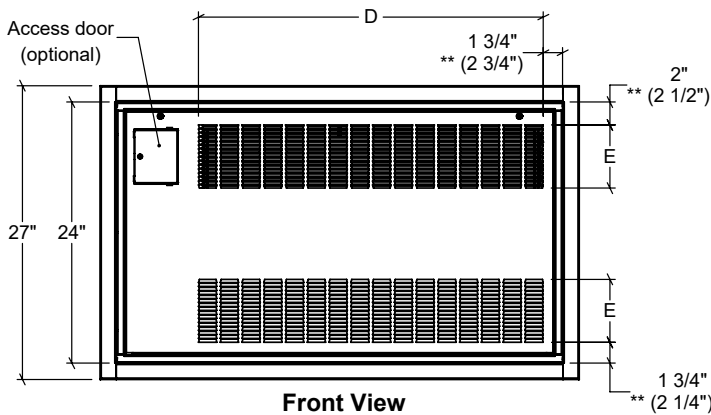


Front View

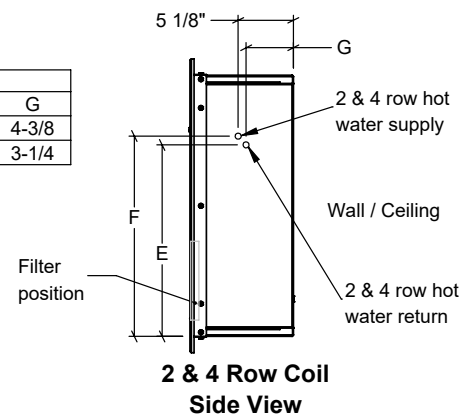
(less front panel)

* Optional end pocket extension

Unit size	Dimensional Data							
	A		B	C	Louvres		**Bargrille	
	Std.	*6" Ext			D	E	D	E
08	59	64	53-1/4	50-1/4	50	6	48	5



	Dimensional data			
Coil	E	F	G	
2 Row	17-5/8	18-3/8	4-3/8	
4 Row	17-7/8	19-1/8	3-1/4	



Notes:

- 1, 2, and 4 row coil supply and return connections are 1/2" nominal (5/8" OD) on all sizes
- Unit shown with left hand piping connections
- Right hand piping connections available as an option
- Piping hand determined when facing the air outlet
- All listed dimensions are approximate and are subject to change without notice
- Modifications to the product specifications must be accepted by Zehnder at its base office
- See www.zehnder-rittling.com for any recent updates or changes