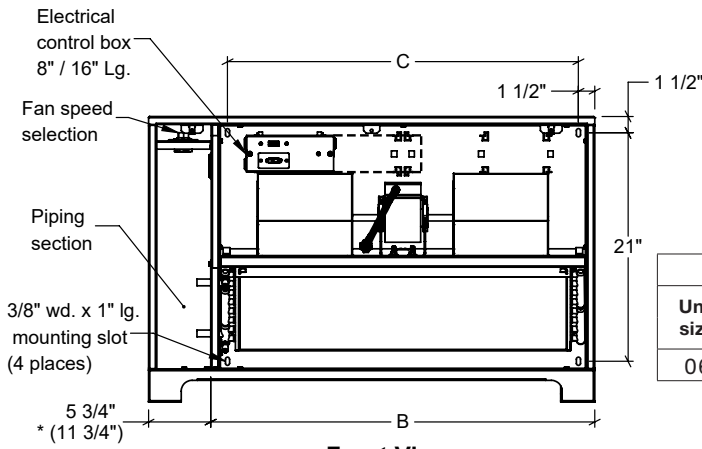
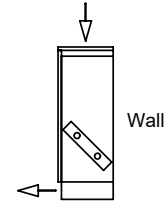
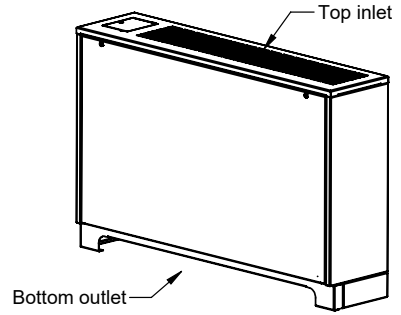
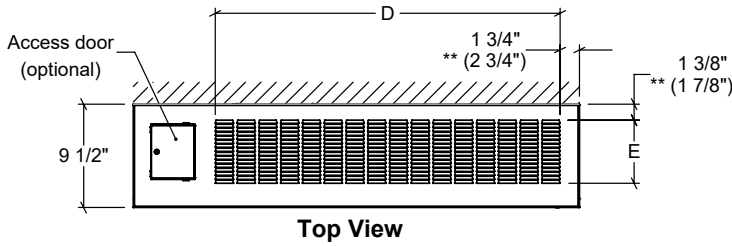


# Rittling Cabinet Unit Heater Submittal Data

Model: RFFI-240

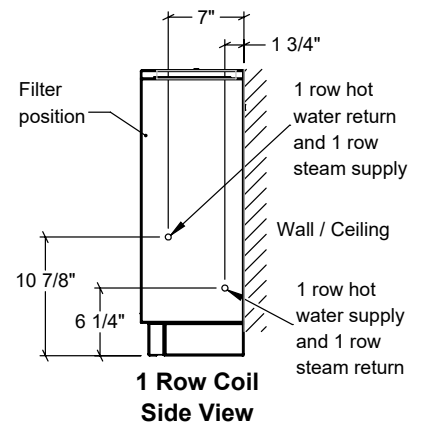
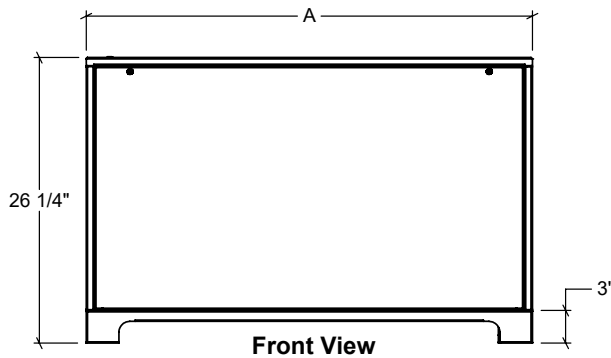


## Dimensions and Data

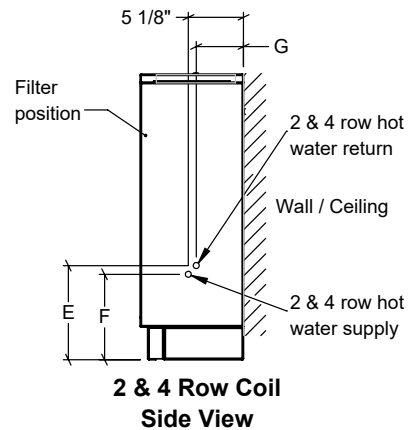


Unit size	Dimensional Data							
	A		B	C	Louvres		**Bargrille	
	Std.	*6" Ext			D	E	D	E
06	53	59	47-1/4	44-1/4	44	6	42	5

\* Optional end pocket extension



Dimensional data			
Coil	E	F	G
2 Row	8-5/8	7-7/8	4-3/8
4 Row	8-3/8	6-1/8	3-1/4



### Notes:

- 1, 2, and 4 row coil supply and return connections are 1/2" nominal (5/8" OD) on all sizes
- Inlet grille optional
- Unit shown with left hand piping connections
- Right hand piping connections available as an option
- Piping hand determined when facing the air outlet
- All listed dimensions are approximate and are subject to change without notice
- Modifications to the product specifications must be accepted by Zehnder at its base office
- See [www.zehnder-rittling.com](http://www.zehnder-rittling.com) for any recent updates or changes