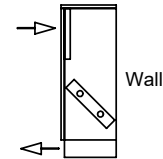
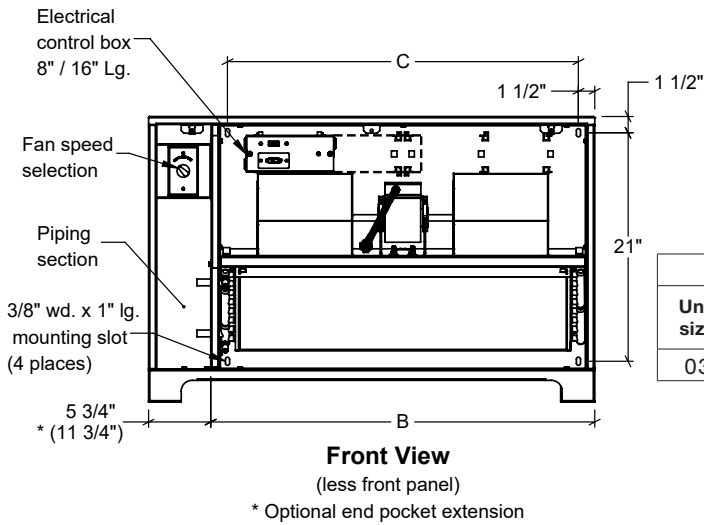
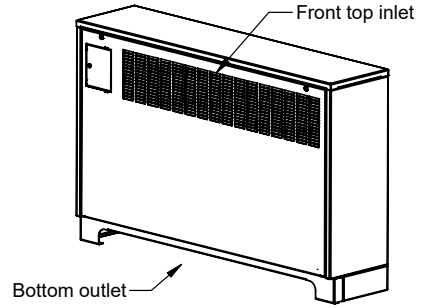
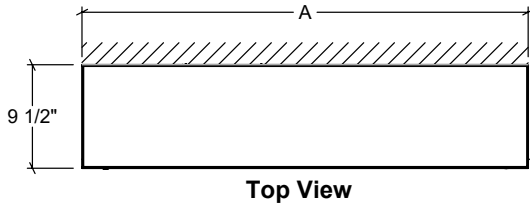


# Rittling Cabinet Unit Heater Submittal Data

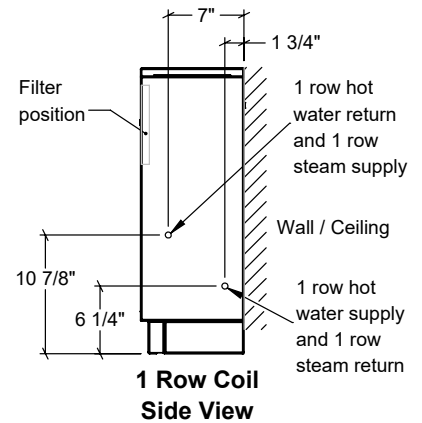
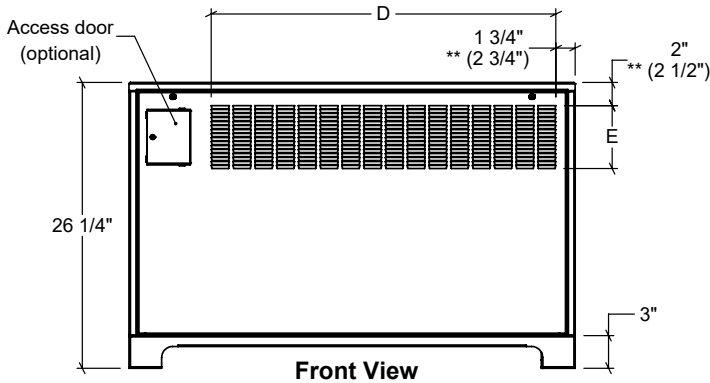
Model: RFFI-250



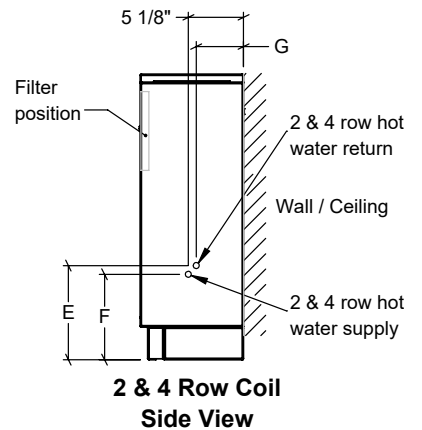
Dimensions and Data



Unit size	Dimensional Data							
	A		B	C	Louvres		**Bargrille	
	Std.	*6" Ext			D	E	D	E
03	35	41	29-1/4	26-1/4	26	6	24	5



Dimensional data			
Coil	E	F	G
2 Row	8-5/8	7-7/8	4-3/8
4 Row	8-3/8	6-1/8	3-1/4



- Notes:**
- 1, 2, and 4 row coil supply and return connections are 1/2" nominal (5/8" OD) on all sizes
  - Inlet grille optional
  - Unit shown with left hand piping connections
  - Right hand piping connections available as an option
  - Piping hand determined when facing the air outlet
  - All listed dimensions are approximate and are subject to change without notice
  - Modifications to the product specifications must be accepted by Zehnder at its base office
  - See [www.zehnder-rittling.com](http://www.zehnder-rittling.com) for any recent updates or changes