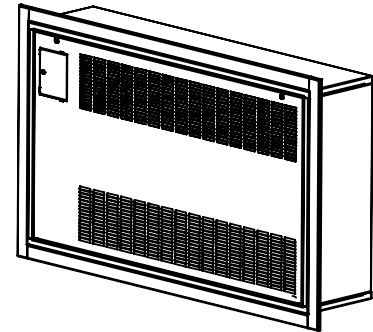
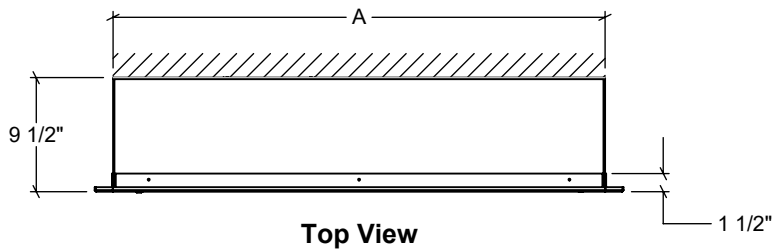


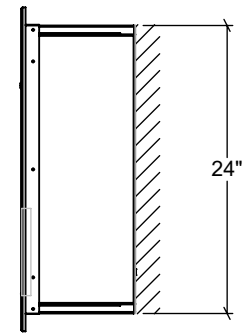
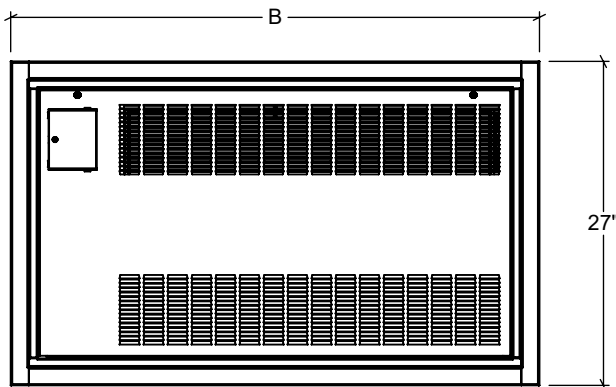
Rittling Cabinet Unit Heater Submittal Data

Wall Seal Kit

Dimensions and Data



RCW-420 shown



Dimensional data		
Unit size	A	B
02	29	32
03	35	38
04	41	44
06	53	56
08	59	62
10	67	70
12	77	80

Notes:

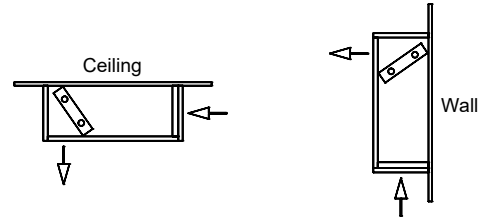
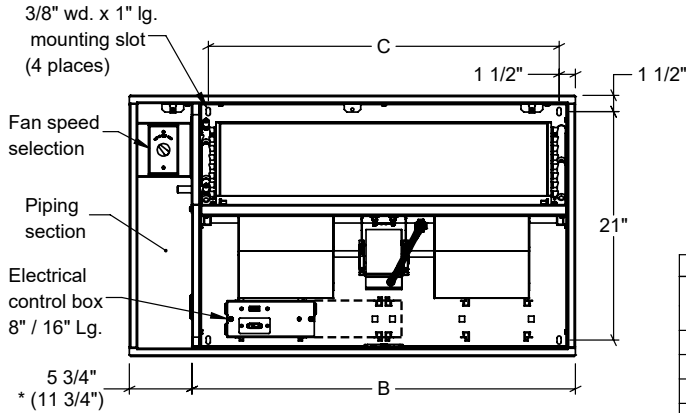
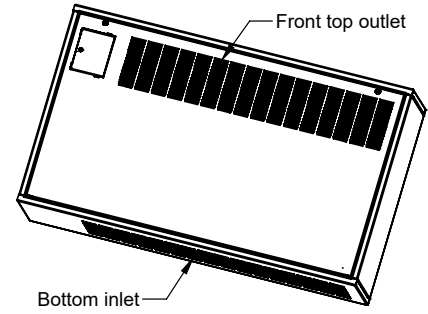
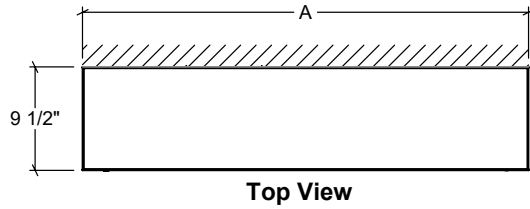
- For fully recessed units locate frame flush with front.
- For partially recessed units locate frame as needed.
- Use sheet metal screws (by others) to secure trim frame to the unit.
- See www.zehnder-rittling.com for any recent updates or changes.

Rittling Cabinet Unit Heater

Submittal Data

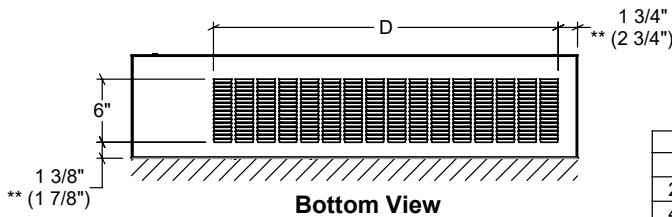
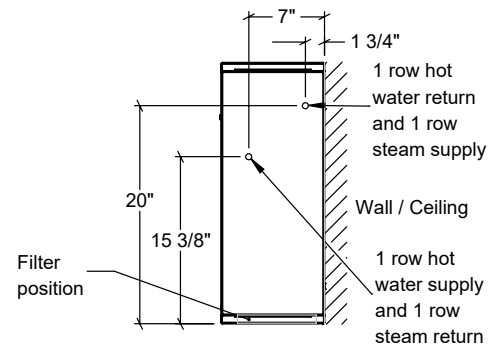
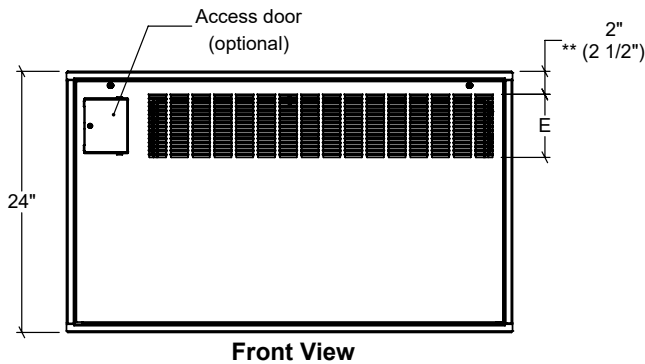
Model: RCW-380

Dimensions and Data

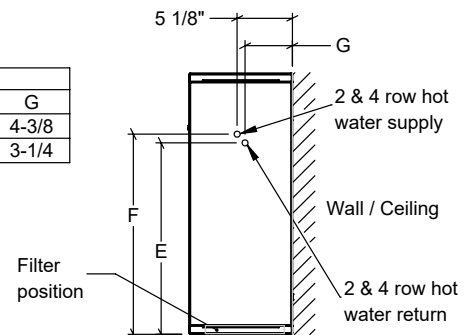


Unit size	Dimensional data							
	A		B	C	Louvers		** Bargrille	
	Std.	* 6" Ext			D	E	D	E
02	29	35	23-1/4	20-1/4	20	6	18	5
03	35	41	29-1/4	26-1/4	26	6	24	5
04	41	47	35-1/4	32-1/4	32	6	30	5
06	53	59	47-1/4	44-1/4	44	6	42	5
08	59	64	53-1/4	50-1/4	50	6	48	5
10	67	73	61-1/4	58-1/4	58	6	56	5
12	77	83	71-1/4	68-1/4	68	6	66	5

* Optional end pocket extension



	Dimensional data		
Coil	E	F	G
2 Row	17-5/8	18-3/8	4-3/8
4 Row	17-7/8	19-1/8	3-1/4



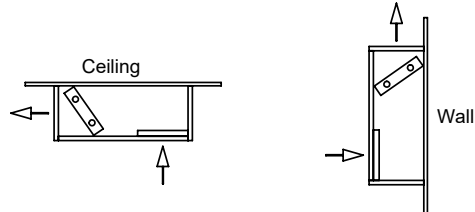
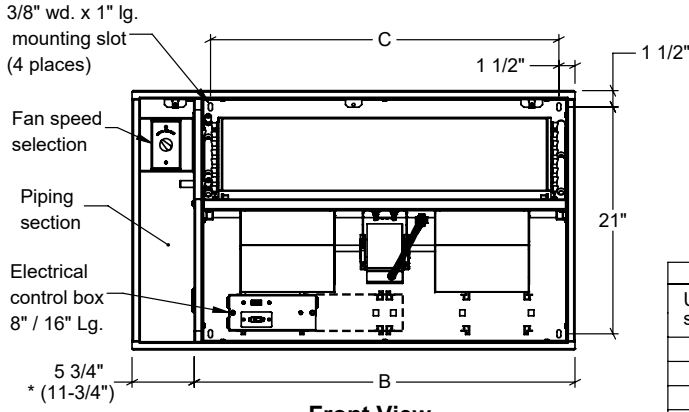
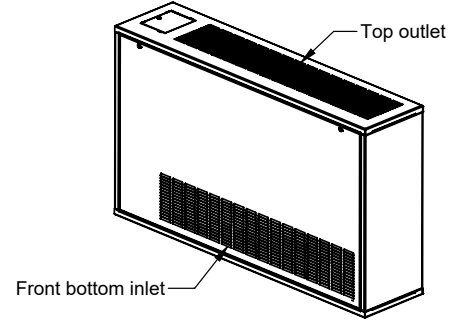
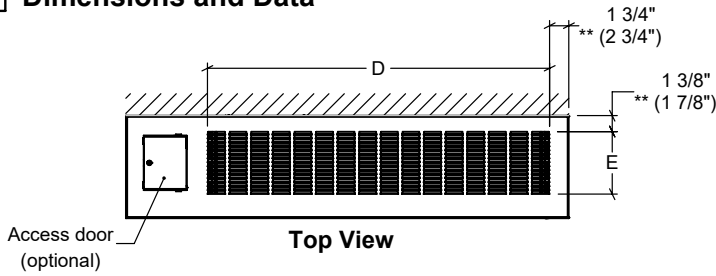
Notes:

- 1, 2, and 4 row coil supply and return connections are 1/2" nominal (5/8" OD) on all sizes
- Unit shown with left hand piping connections
- Right hand piping connections available as an option
- Piping hand determined when facing the air outlet
- All listed dimensions are approximate and are subject to change without notice
- Modifications to the product specifications must be accepted by Zehnder at its base office
- See www.zehnder-rittling.com for any recent updates or changes

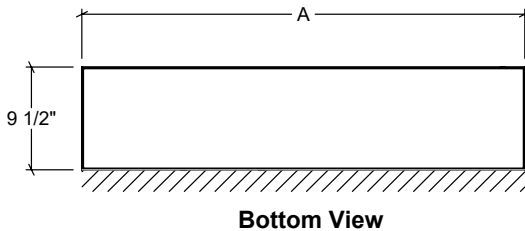
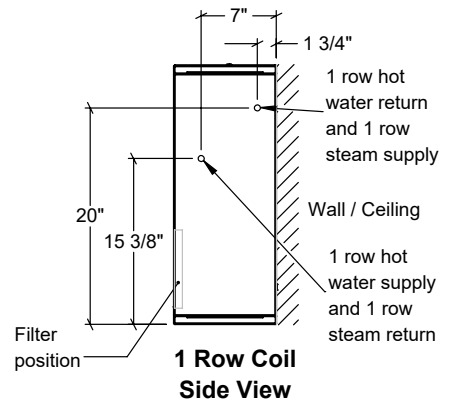
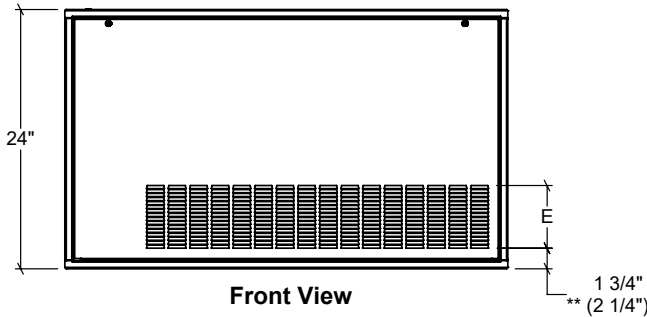
Rittling Cabinet Unit Heater Submittal Data

Model: RCW-400

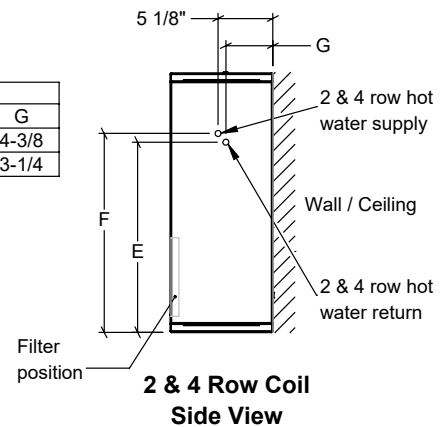
Dimensions and Data



Unit size	A		B	C	Louvers		** Duct/Bargrille	
	Std.	* 6" Ext			D	E	D	E
02	29	35	23-1/4	20-1/4	20	6	18	5
03	35	41	29-1/4	26-1/4	26	6	24	5
04	41	47	35-1/4	32-1/4	32	6	30	5
06	53	59	47-1/4	44-1/4	44	6	42	5
08	59	64	53-1/4	50-1/4	50	6	48	5
10	67	73	61-1/4	58-1/4	58	6	56	5
12	77	83	71-1/4	68-1/4	68	6	66	5



Dimensional data			
Coil	E	F	G
2 Row	17-5/8	18-3/8	4-3/8
4 Row	17-7/8	19-1/8	3-1/4



Notes:

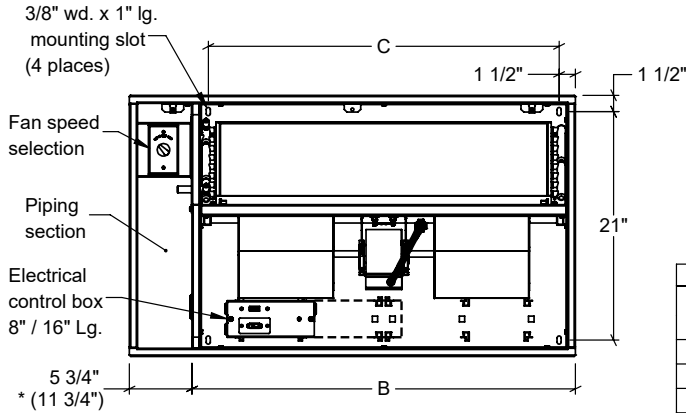
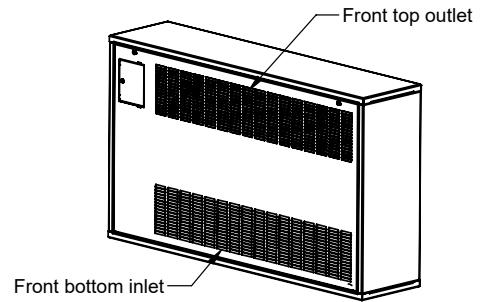
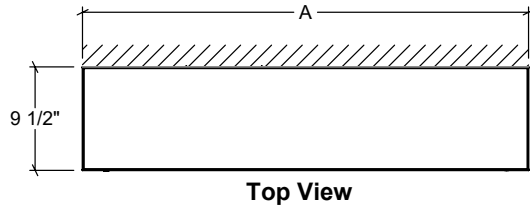
- 1, 2, and 4 row coil supply and return connections are 1/2" nominal (5/8" OD) on all sizes
- Unit shown with left hand piping connections
- Right hand piping connections available as an option
- Piping hand determined when facing the air outlet
- All listed dimensions are approximate and are subject to change without notice
- Modifications to the product specifications must be accepted by Zehnder at its base office
- See www.zehnder-rittling.com for any recent updates or changes

Rittling Cabinet Unit Heater

Submittal Data

Model: RCW-420

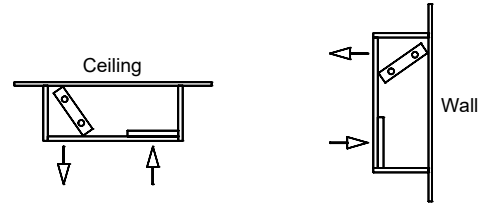
Dimensions and Data



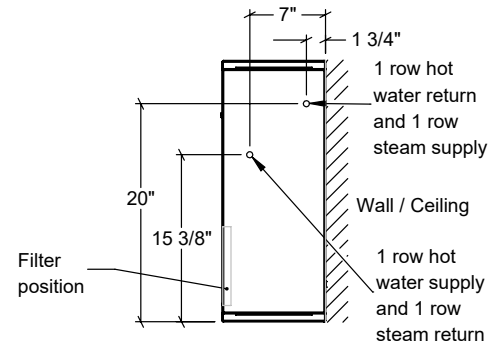
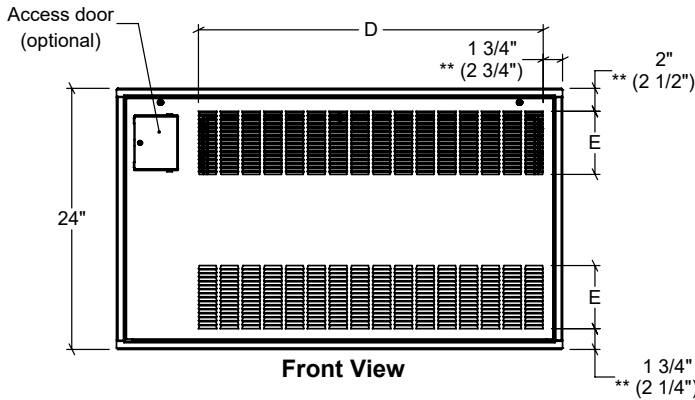
Front View

(less front panel)

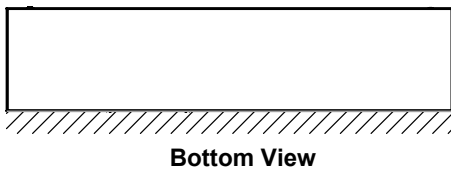
* Optional end pocket extension



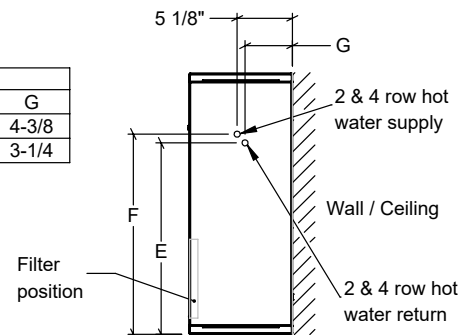
Unit size	Dimensional data							
	A		B	C	Louvers		** Bargrille	
	Std.	* 6" Ext			D	E	D	E
02	29	35	23-1/4	20-1/4	20	6	18	5
03	35	41	29-1/4	26-1/4	26	6	24	5
04	41	47	35-1/4	32-1/4	32	6	30	5
06	53	59	47-1/4	44-1/4	44	6	42	5
08	59	64	53-1/4	50-1/4	50	6	48	5
10	67	73	61-1/4	58-1/4	58	6	56	5
12	77	83	71-1/4	68-1/4	68	6	66	5



1 Row Coil Side View



Coil	Dimensional data		
	E	F	G
2 Row	17-5/8	18-3/8	4-3/8
4 Row	17-7/8	19-1/8	3-1/4



2 & 4 Row Coil Side View

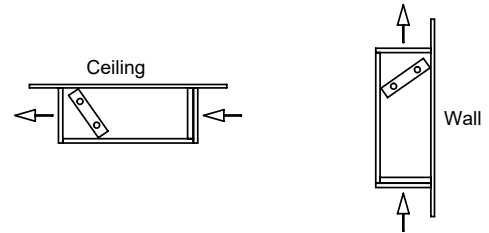
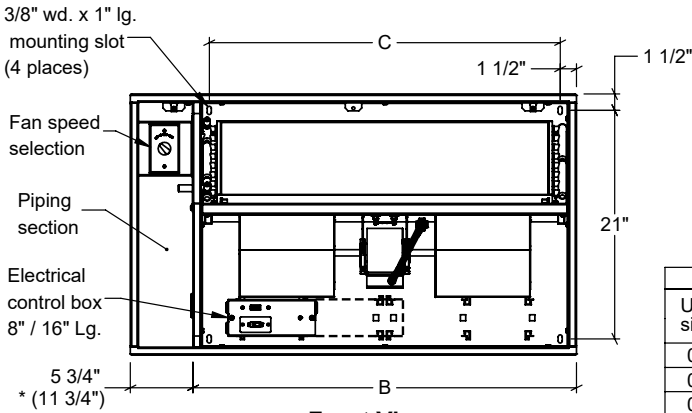
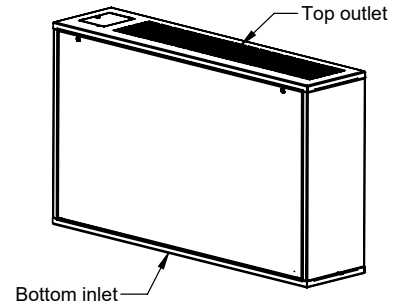
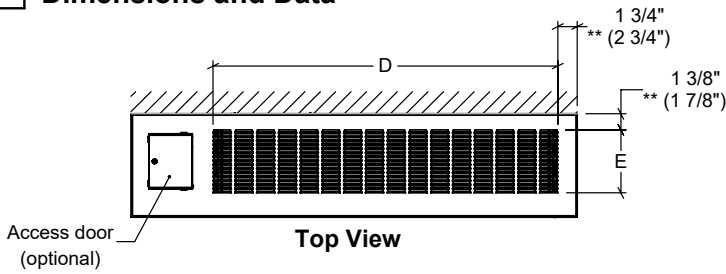
Notes:

- 1, 2, and 4 row coil supply and return connections are 1/2" nominal (5/8" OD) on all sizes
- Unit shown with left hand piping connections
- Right hand piping connections available as an option
- Piping hand determined when facing the air outlet
- All listed dimensions are approximate and are subject to change without notice
- Modifications to the product specifications must be accepted by Zehnder at its base office
- See www.zehnder-rittling.com for any recent updates or changes

Rittling Cabinet Unit Heater Submittal Data

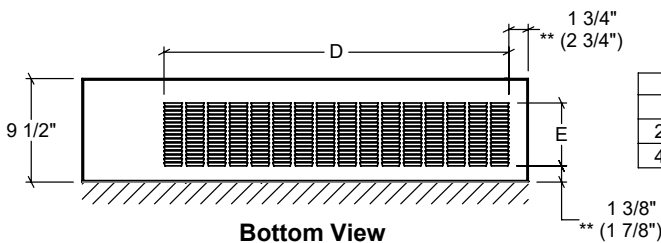
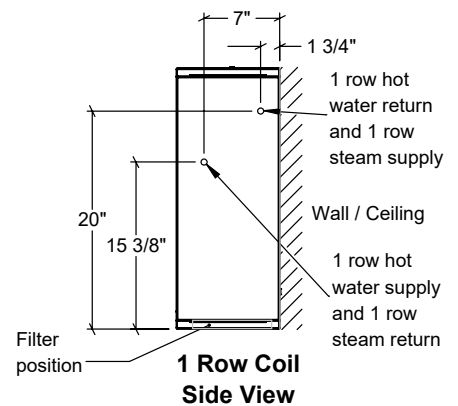
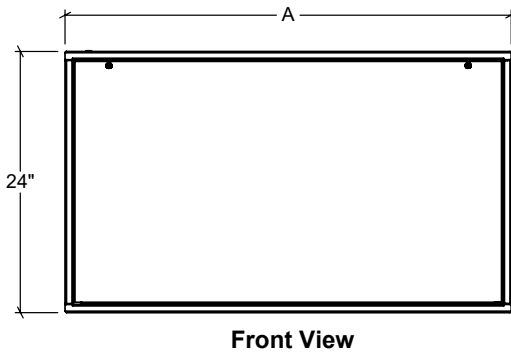
Model: RCW-430

Dimensions and Data

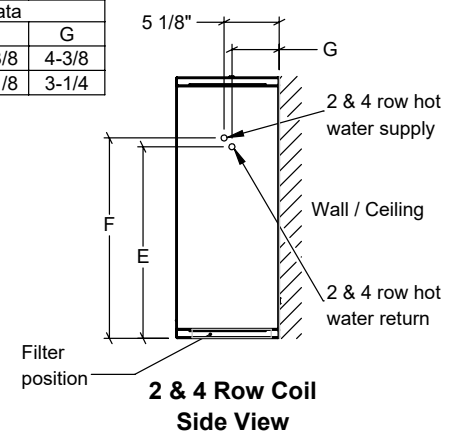


Unit size	A		B	C	Louvers		** Duct/Bargrille	
	Std.	* 6" Ext			D	E	D	E
02	29	35	23-1/4	20-1/4	20	6	18	5
03	35	41	29-1/4	26-1/4	26	6	24	5
04	41	47	35-1/4	32-1/4	32	6	30	5
06	53	59	47-1/4	44-1/4	44	6	42	5
08	59	64	53-1/4	50-1/4	50	6	48	5
10	67	73	61-1/4	58-1/4	58	6	56	5
12	77	83	71-1/4	68-1/4	68	6	66	5

Front View
(less front panel)
* Optional end pocket extension



Dimensional data			
Coil	E	F	G
2 Row	17-5/8	18-3/8	4-3/8
4 Row	17-7/8	19-1/8	3-1/4



- Notes:**
- 1, 2, and 4 row coil supply and return connections are 1/2" nominal (5/8" OD) on all sizes
 - Unit shown with left hand piping connections
 - Right hand piping connections available as an option
 - Piping hand determined when facing the air outlet
 - All listed dimensions are approximate and are subject to change without notice
 - Modifications to the product specifications must be accepted by Zehnder at its base office
 - See www.zehnder-rittling.com for any recent updates or changes

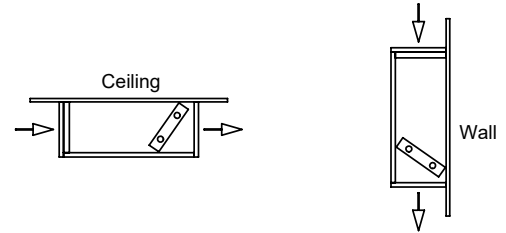
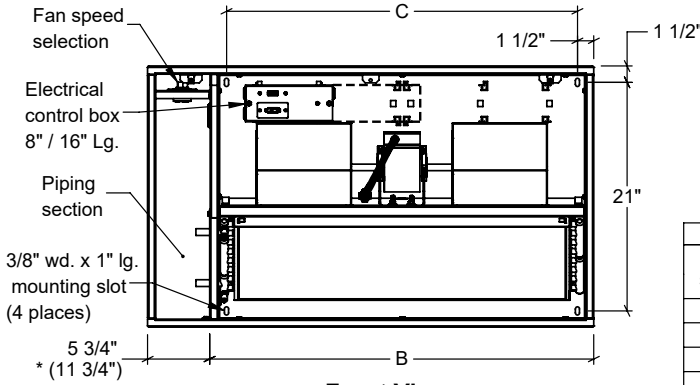
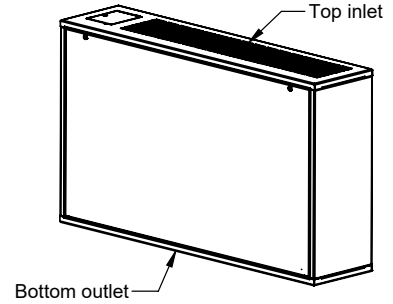
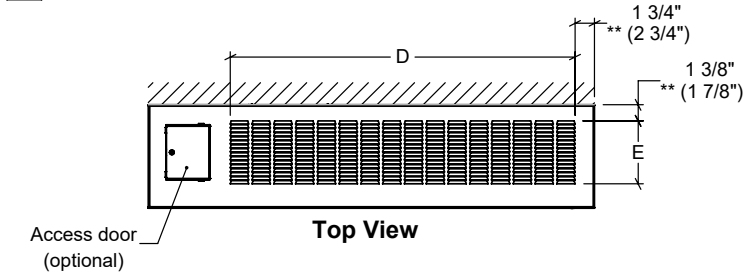
Rittling Cabinet Unit Heater

Submittal Data

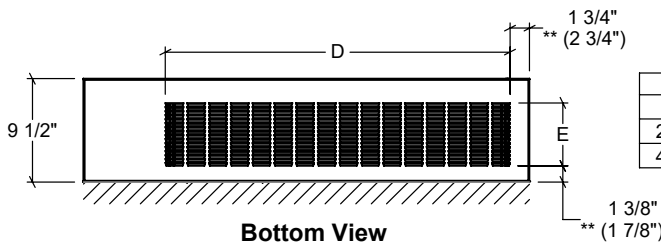
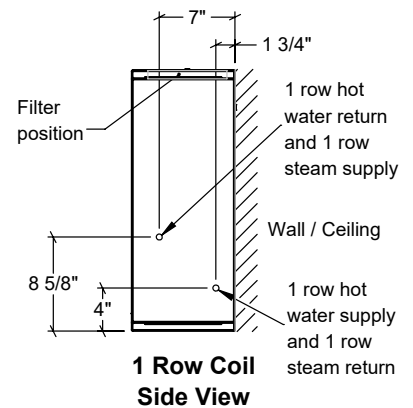
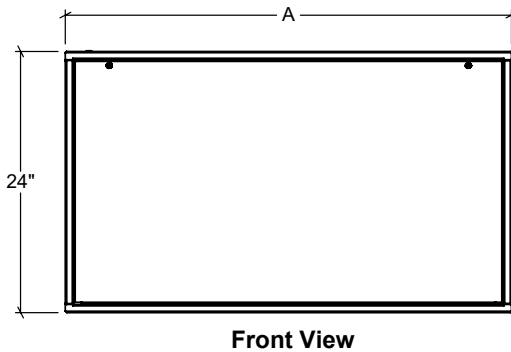
Model: RCWI-290



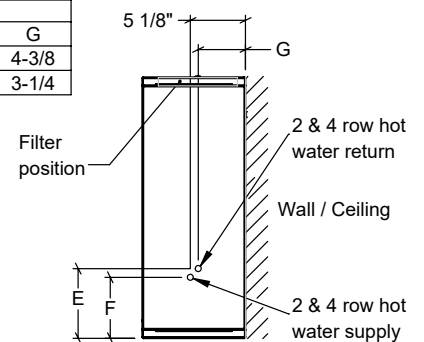
Dimensions and Data



Unit size	Dimensional data							
	A		B	C	Louvers		** Bargrille	
	Std.	* 6" Ext			D	E	D	E
02	29	35	23-1/4	20-1/4	20	6	18	5
03	35	41	29-1/4	26-1/4	26	6	24	5
04	41	47	35-1/4	32-1/4	32	6	30	5
06	53	59	47-1/4	44-1/4	44	6	42	5
08	59	64	53-1/4	50-1/4	50	6	48	5
10	67	73	61-1/4	58-1/4	58	6	56	5
12	77	83	71-1/4	68-1/4	68	6	66	5



Coil	Dimensional data		
	E	F	G
2 Row	6-3/8	5-5/8	4-3/8
4 Row	6-1/8	4-7/8	3-1/4



Notes:

- 1, 2, and 4 row coil supply and return connections are 1/2" nominal (5/8" OD) on all sizes
- Unit shown with left hand piping connections
- Right hand piping connections available as an option
- Piping hand determined when facing the air outlet
- All listed dimensions are approximate and are subject to change without notice
- Modifications to the product specifications must be accepted by Zehnder at its base office
- See www.zehnder-rittling.com for any recent updates or changes

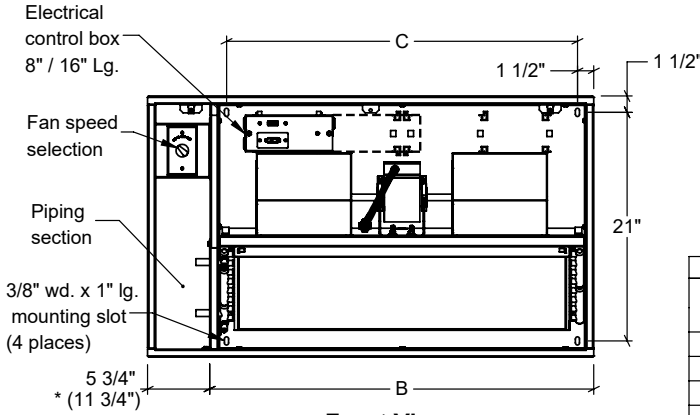
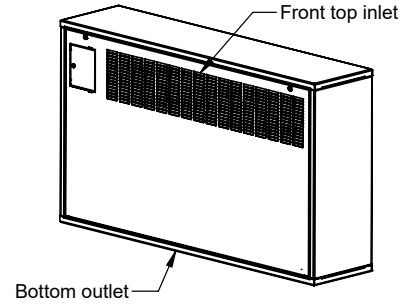
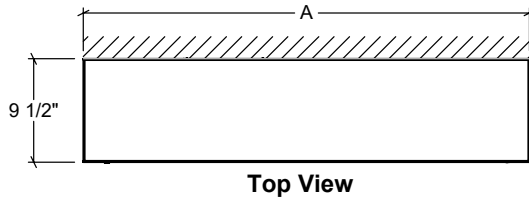
Rittling Cabinet Unit Heater

Submittal Data

Model: RCWI-300



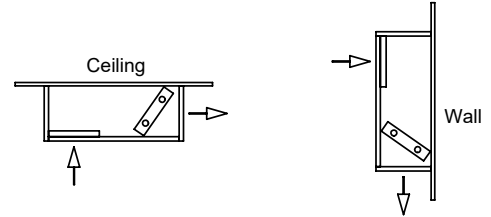
Dimensions and Data



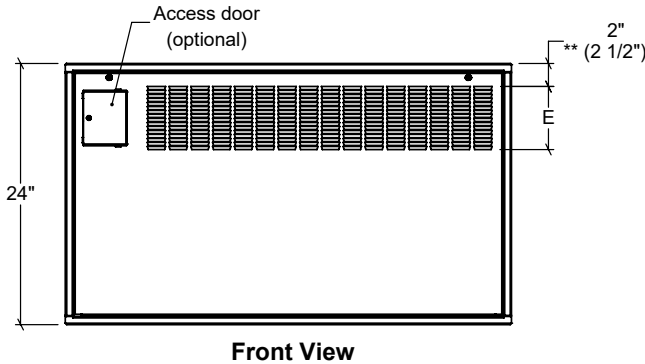
Front View

(less front panel)

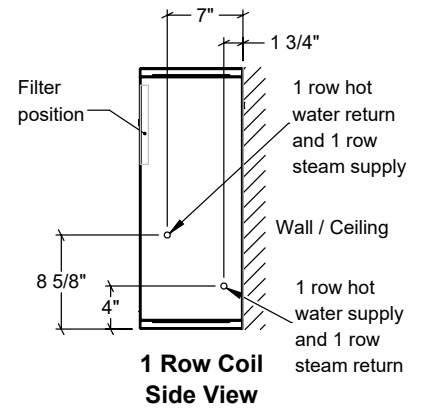
* Optional end pocket extension



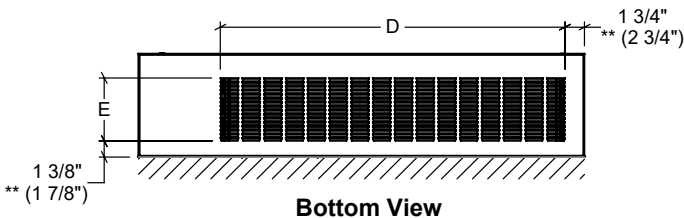
Unit size	A		B	C	Louvers		** Bargrille	
	Std.	* 6" Ext			D	E	D	E
02	29	35	23-1/4	20-1/4	20	6	18	5
03	35	41	29-1/4	26-1/4	26	6	24	5
04	41	47	35-1/4	32-1/4	32	6	30	5
06	53	59	47-1/4	44-1/4	44	6	42	5
08	59	64	53-1/4	50-1/4	50	6	48	5
10	67	73	61-1/4	58-1/4	58	6	56	5
12	77	83	71-1/4	68-1/4	68	6	66	5



Front View

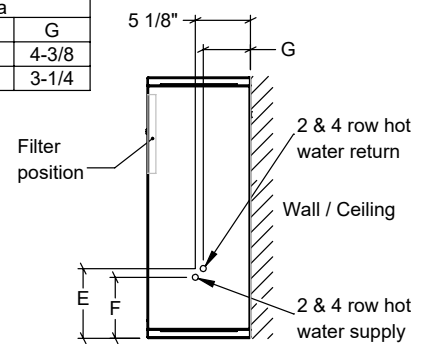


1 Row Coil Side View



Bottom View

Dimensional data			
Coil	E	F	G
2 Row	6-3/8	5-5/8	4-3/8
4 Row	6-1/8	4-7/8	3-1/4



2 & 4 Row Coil Side View

Notes:

- 1, 2, and 4 row coil supply and return connections are 1/2" nominal (5/8" OD) on all sizes
- Unit shown with left hand piping connections
- Right hand piping connections available as an option
- Piping hand determined when facing the air outlet
- All listed dimensions are approximate and are subject to change without notice
- Modifications to the product specifications must be accepted by Zehnder at its base office
- See www.zehnder-rittling.com for any recent updates or changes

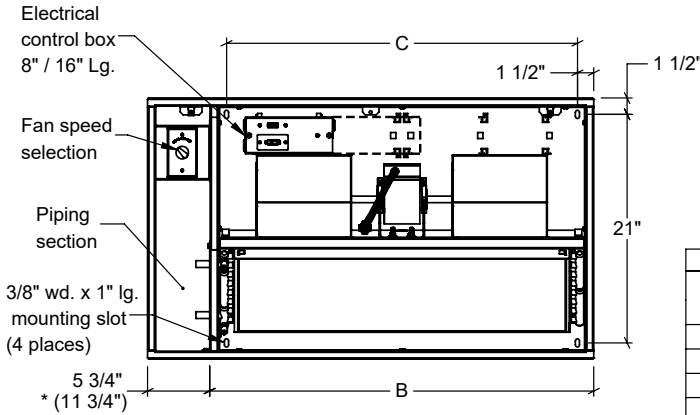
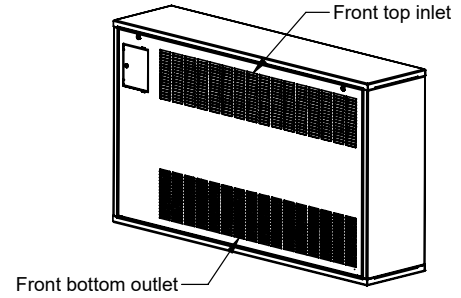
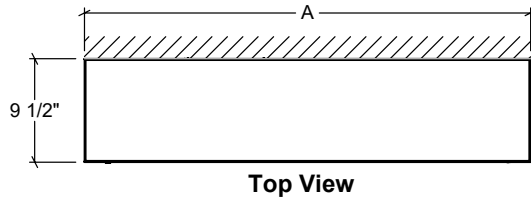
Rittling Cabinet Unit Heater

Submittal Data

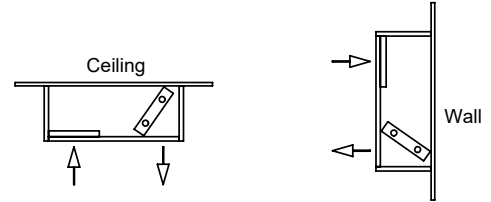
Model: RCWI-350



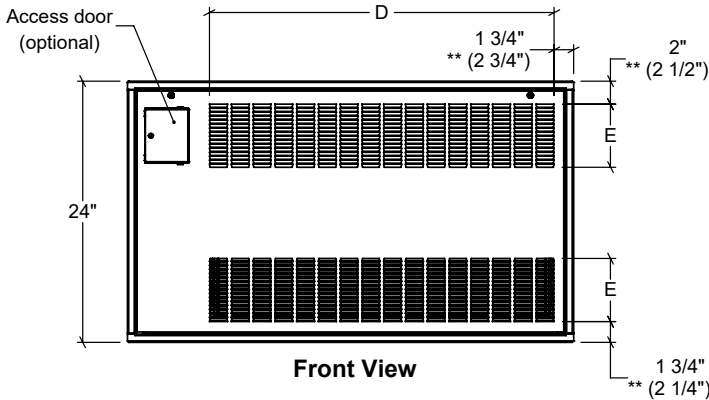
Dimensions and Data



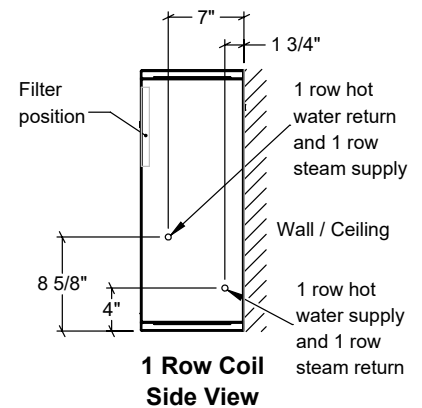
Front View
(less front panel)
* Optional end pocket extension



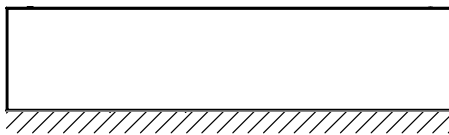
Unit size	Dimensional data							
	A		B	C	Louvers		** Bargrille	
	Std.	* 6" Ext			D	E	D	E
02	29	35	23-1/4	20-1/4	20	6	18	5
03	35	41	29-1/4	26-1/4	26	6	24	5
04	41	47	35-1/4	32-1/4	32	6	30	5
06	53	59	47-1/4	44-1/4	44	6	42	5
08	59	64	53-1/4	50-1/4	50	6	48	5
10	67	73	61-1/4	58-1/4	58	6	56	5
12	77	83	71-1/4	68-1/4	68	6	66	5



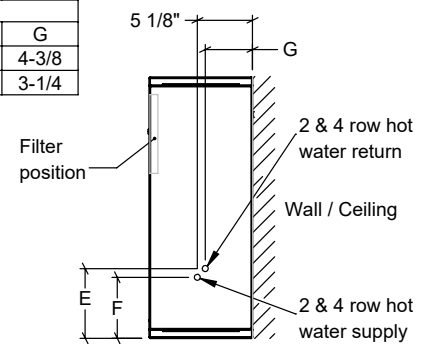
Front View



1 Row Coil Side View



Coil	Dimensional data		
	E	F	G
2 Row	6-3/8	5-5/8	4-3/8
4 Row	6-1/8	4-7/8	3-1/4



2 & 4 Row Coil Side View

Notes:

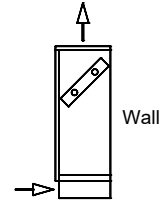
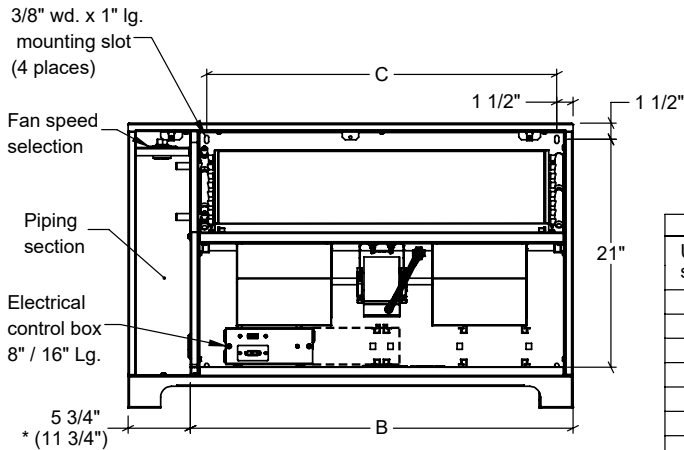
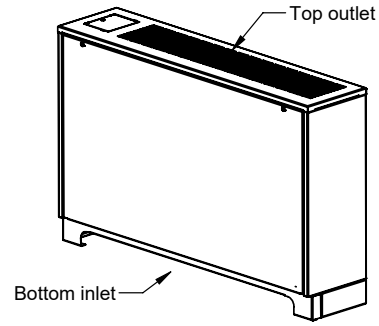
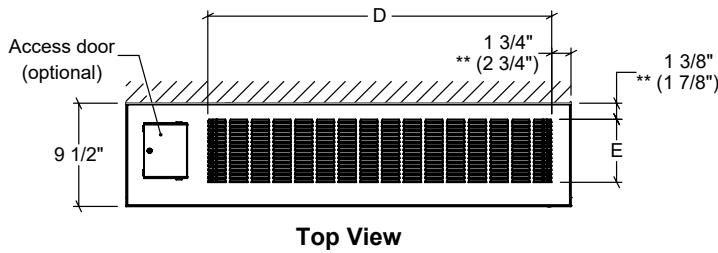
- 1, 2, and 4 row coil supply and return connections are 1/2" nominal (5/8" OD) on all sizes
- Unit shown with left hand piping connections
- Right hand piping connections available as an option
- Piping hand determined when facing the air outlet
- All listed dimensions are approximate and are subject to change without notice
- Modifications to the product specifications must be accepted by Zehnder at its base office
- See www.zehnder-rittling.com for any recent updates or changes

Rittling Cabinet Unit Heater

Submittal Data

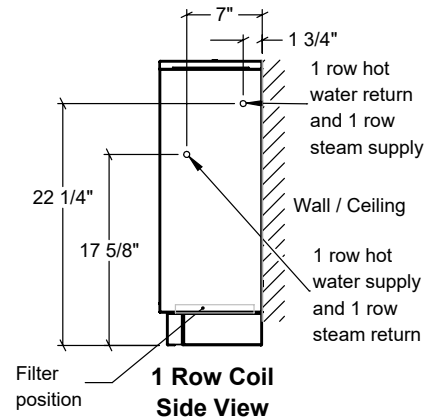
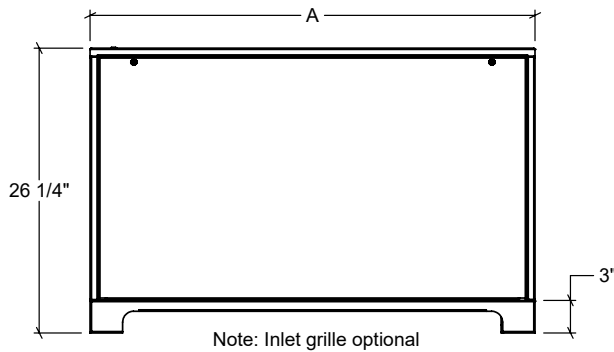
Model: RFF-200

Dimensions and Data

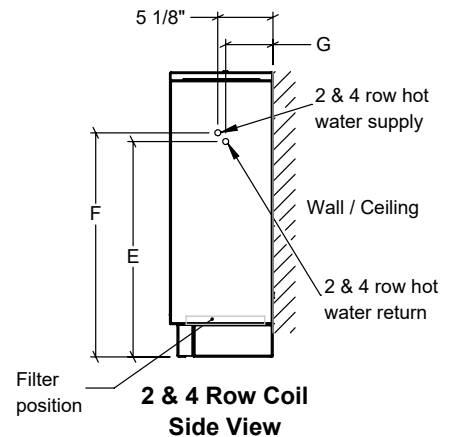


Unit size	Dimensional data							
	A		B	C	Louvers		** Bargrille	
	Std.	* 6" Ext			D	E	D	E
02	29	35	23-1/4	20-1/4	20	6	18	5
03	35	41	29-1/4	26-1/4	26	6	24	5
04	41	47	35-1/4	32-1/4	32	6	30	5
06	53	59	47-1/4	44-1/4	44	6	42	5
08	59	64	53-1/4	50-1/4	50	6	48	5
10	67	73	61-1/4	58-1/4	58	6	56	5
12	77	83	71-1/4	68-1/4	68	6	66	5

* Optional end pocket extension



Dimensional data			
Coil	E	F	G
2 Row	19-7/8	20-5/8	4-3/8
4 Row	20-1/8	21-3/8	3-1/4



Notes:

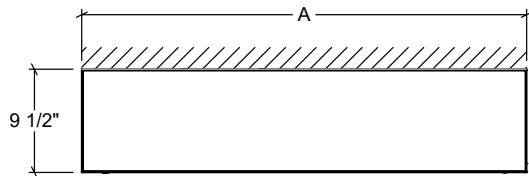
- 1, 2, and 4 row coil supply and return connections are 1/2" nominal (5/8" OD) on all sizes
- Inlet grille optional
- Unit shown with left hand piping connections
- Right hand piping connections available as an option
- Piping hand determined when facing the air outlet
- All listed dimensions are approximate and are subject to change without notice
- Modifications to the product specifications must be accepted by Zehnder at its base office
- See www.zehnder-rittling.com for any recent updates or changes

Rittling Cabinet Unit Heater

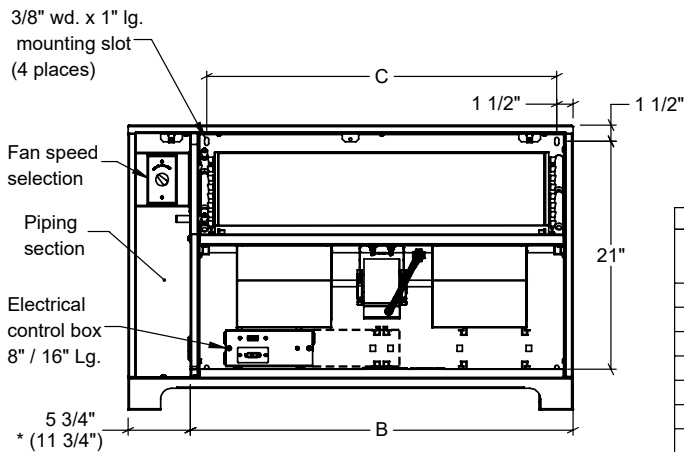
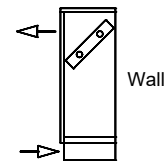
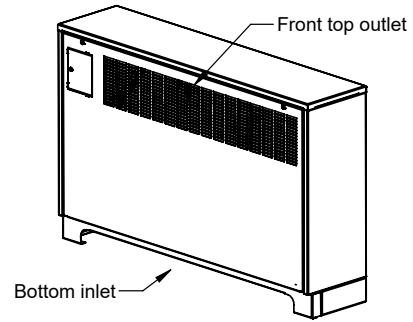
Submittal Data

Model: RFF-220

Dimensions and Data



Top View

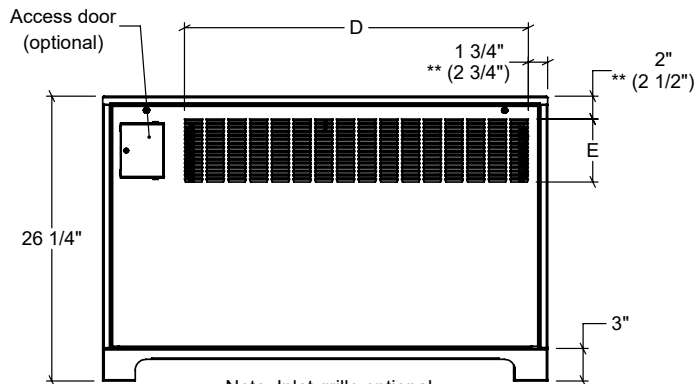


Front View

(less front panel)

* Optional end pocket extension

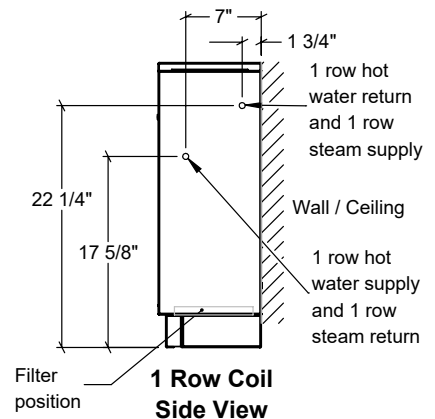
Unit size	Dimensional data							
	A		B	C	Louvers		** Bargrille	
	Std.	* 6" Ext			D	E	D	E
02	29	35	23-1/4	20-1/4	20	6	18	5
03	35	41	29-1/4	26-1/4	26	6	24	5
04	41	47	35-1/4	32-1/4	32	6	30	5
06	53	59	47-1/4	44-1/4	44	6	42	5
08	59	64	53-1/4	50-1/4	50	6	48	5
10	67	73	61-1/4	58-1/4	58	6	56	5
12	77	83	71-1/4	68-1/4	68	6	66	5



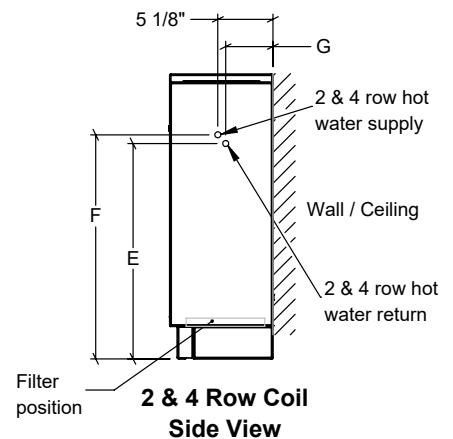
Front View

Note: Inlet grille optional

Dimensional data			
Coil	E	F	G
2 Row	19-7/8	20-5/8	4-3/8
4 Row	20-1/8	21-3/8	3-1/4



1 Row Coil Side View



2 & 4 Row Coil Side View

Notes:

- 1, 2, and 4 row coil supply and return connections are 1/2" nominal (5/8" OD) on all sizes
- Inlet grille optional
- Unit shown with left hand piping connections
- Right hand piping connections available as an option
- Piping hand determined when facing the air outlet
- All listed dimensions are approximate and are subject to change without notice
- Modifications to the product specifications must be accepted by Zehnder at its base office
- See www.zehnder-rittling.com for any recent updates or changes

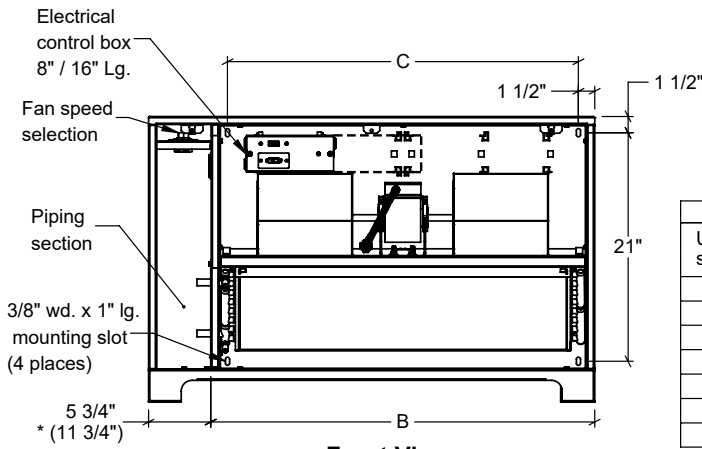
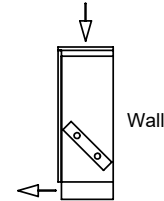
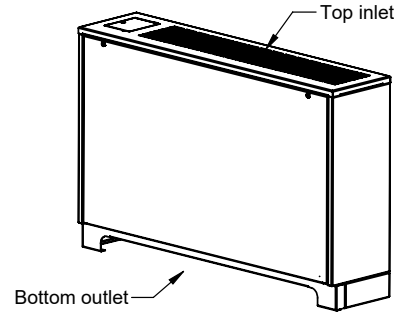
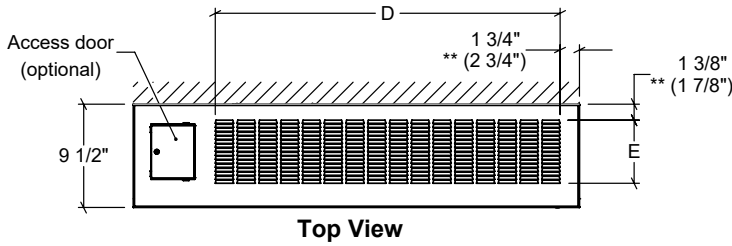
Rittling Cabinet Unit Heater

Submittal Data

Model: RFFI-240

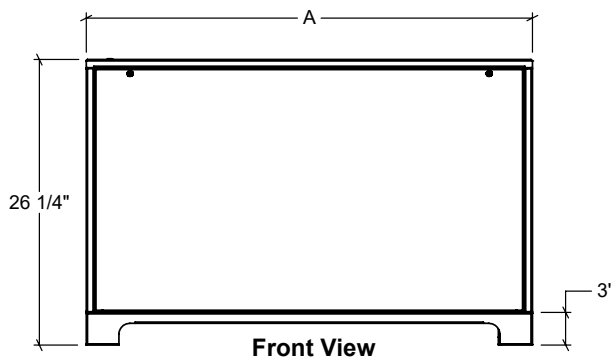


Dimensions and Data

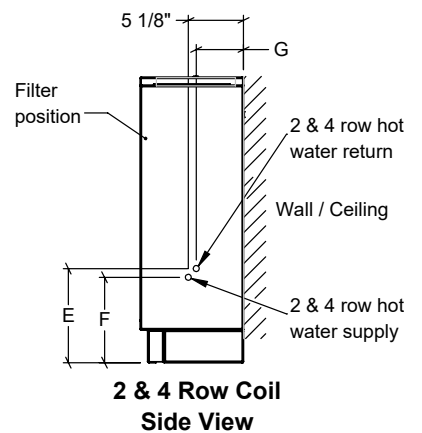
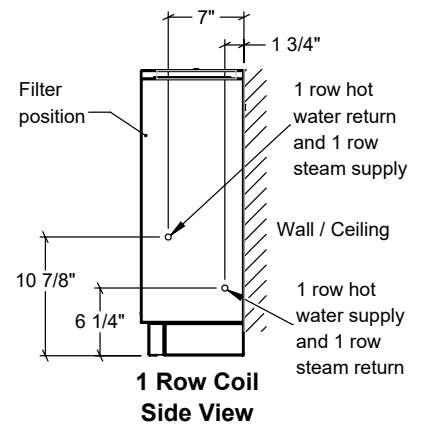


Unit size	Dimensional data							
	A		B	C	Louvers		** Bargrille	
	Std.	* 6" Ext			D	E	D	E
02	29	35	23-1/4	20-1/4	20	6	18	5
03	35	41	29-1/4	26-1/4	26	6	24	5
04	41	47	35-1/4	32-1/4	32	6	30	5
06	53	59	47-1/4	44-1/4	44	6	42	5
08	59	64	53-1/4	50-1/4	50	6	48	5
10	67	73	61-1/4	58-1/4	58	6	56	5
12	77	83	71-1/4	68-1/4	68	6	66	5

* Optional end pocket extension



Dimensional data			
Coil	E	F	G
2 Row	8-5/8	7-7/8	4-3/8
4 Row	8-3/8	6-1/8	3-1/4



Notes:

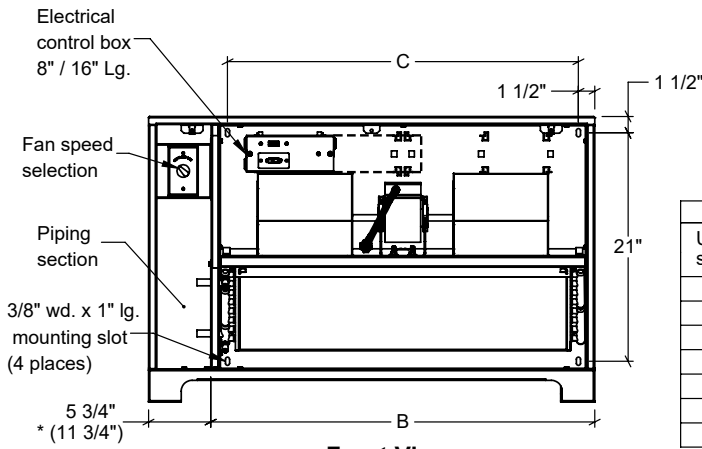
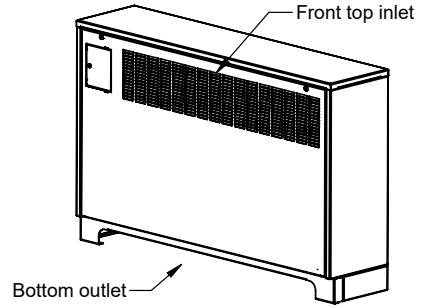
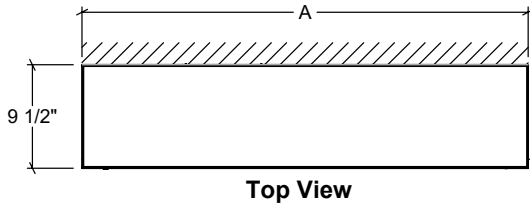
- 1, 2, and 4 row coil supply and return connections are 1/2" nominal (5/8" OD) on all sizes
- Inlet grille optional
- Unit shown with left hand piping connections
- Right hand piping connections available as an option
- Piping hand determined when facing the air outlet
- All listed dimensions are approximate and are subject to change without notice
- Modifications to the product specifications must be accepted by Zehnder at its base office
- See www.zehnder-rittling.com for any recent updates or changes

Rittling Cabinet Unit Heater Submittal Data

Model: RFFI-250



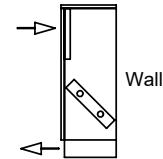
Dimensions and Data



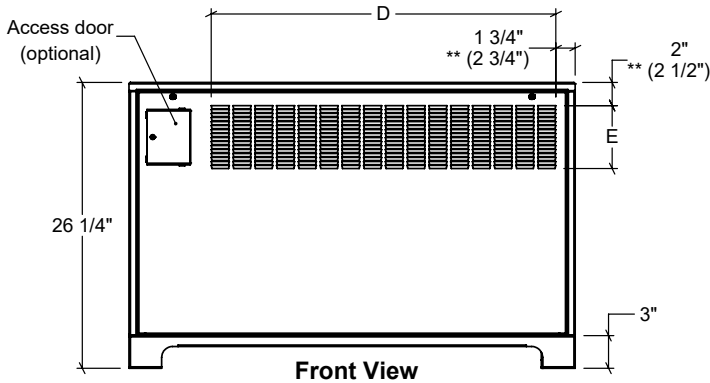
Front View

(less front panel)

* Optional end pocket extension

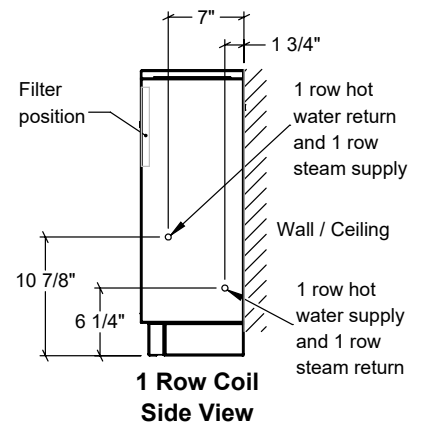


Unit size	Dimensional data							
	A		B	C	Louvers		** Bargrille	
	Std.	* 6" Ext			D	E	D	E
02	29	35	23-1/4	20-1/4	20	6	18	5
03	35	41	29-1/4	26-1/4	26	6	24	5
04	41	47	35-1/4	32-1/4	32	6	30	5
06	53	59	47-1/4	44-1/4	44	6	42	5
08	59	64	53-1/4	50-1/4	50	6	48	5
10	67	73	61-1/4	58-1/4	58	6	56	5
12	77	83	71-1/4	68-1/4	68	6	66	5

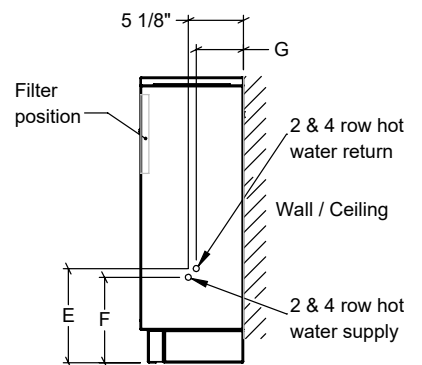


Front View

Dimensional data			
Coil	E	F	G
2 Row	8-5/8	7-7/8	4-3/8
4 Row	8-3/8	6-1/8	3-1/4



1 Row Coil Side View



2 & 4 Row Coil Side View

Notes:

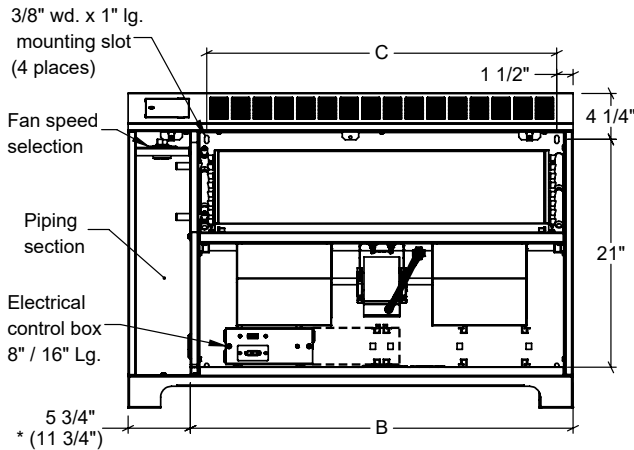
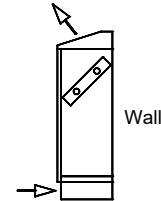
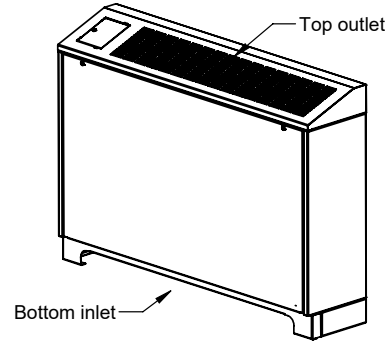
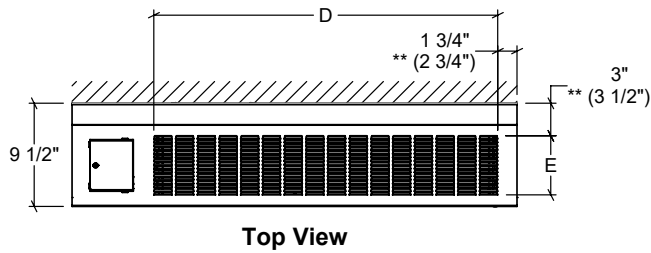
- 1, 2, and 4 row coil supply and return connections are 1/2" nominal (5/8" OD) on all sizes
- Inlet grille optional
- Unit shown with left hand piping connections
- Right hand piping connections available as an option
- Piping hand determined when facing the air outlet
- All listed dimensions are approximate and are subject to change without notice
- Modifications to the product specifications must be accepted by Zehnder at its base office
- See www.zehnder-rittling.com for any recent updates or changes

Rittling Cabinet Unit Heater

Submittal Data

Model: RFS-200

Dimensions and Data

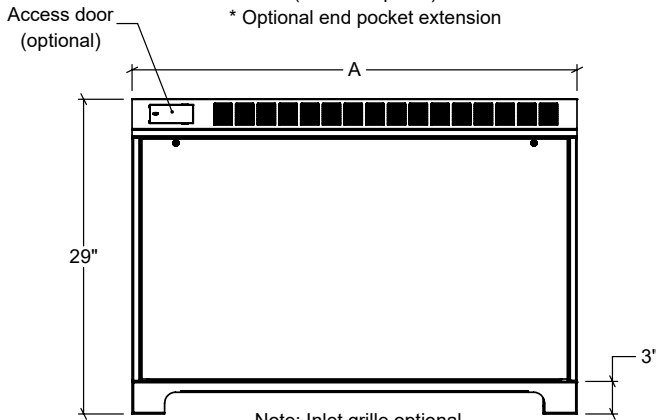


Unit size	A		B	C	Louvers		** Bargrille	
	Std.	* 6" Ext			D	E	D	E
02	29	35	23-1/4	20-1/4	20	6	18	5
03	35	41	29-1/4	26-1/4	26	6	24	5
04	41	47	35-1/4	32-1/4	32	6	30	5
06	53	59	47-1/4	44-1/4	44	6	42	5
08	59	64	53-1/4	50-1/4	50	6	48	5
10	67	73	61-1/4	58-1/4	58	6	56	5
12	77	83	71-1/4	68-1/4	68	6	66	5

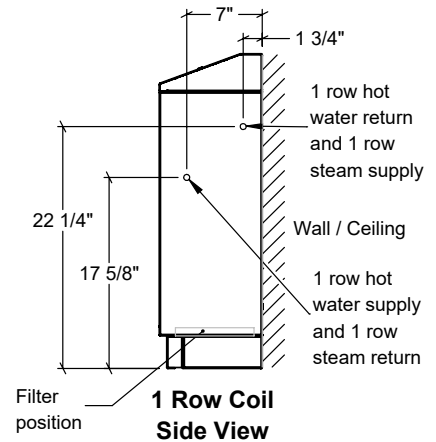
Front View

(less front panel)

* Optional end pocket extension

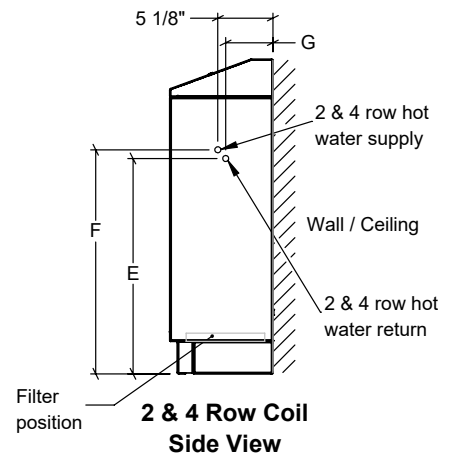


Front View



1 Row Coil Side View

Dimensional data			
Coil	E	F	G
2 Row	19-7/8	20-5/8	4-3/8
4 Row	20-1/8	21-3/8	3-1/4



2 & 4 Row Coil Side View

Notes:

- 1, 2, and 4 row coil supply and return connections are 1/2" nominal (5/8" OD) on all sizes
- Inlet grille optional
- Unit shown with left hand piping connections
- Right hand piping connections available as an option
- Piping hand determined when facing the air outlet
- All listed dimensions are approximate and are subject to change without notice
- Modifications to the product specifications must be accepted by Zehnder at its base office
- See www.zehnder-rittling.com for any recent updates or changes

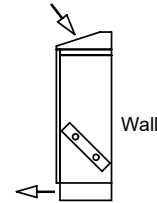
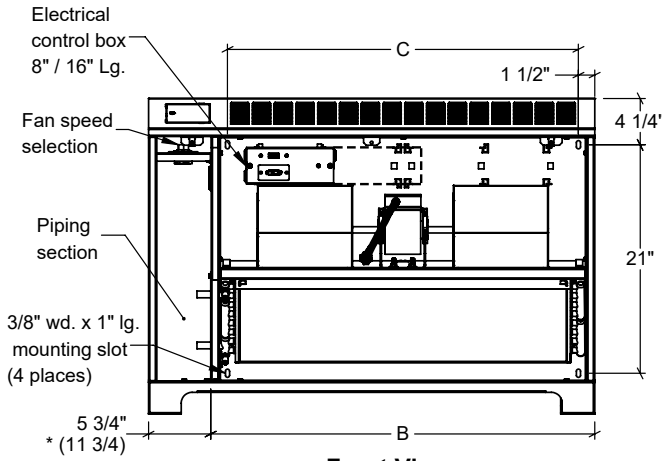
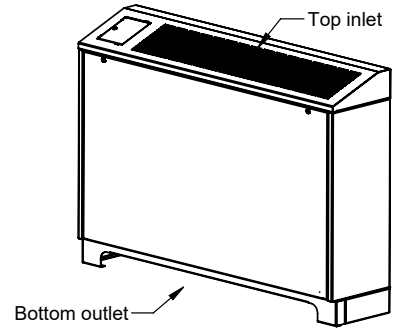
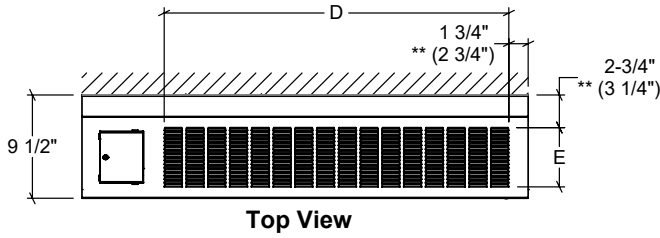
Rittling Cabinet Unit Heater

Submittal Data

Model: RFSI-240

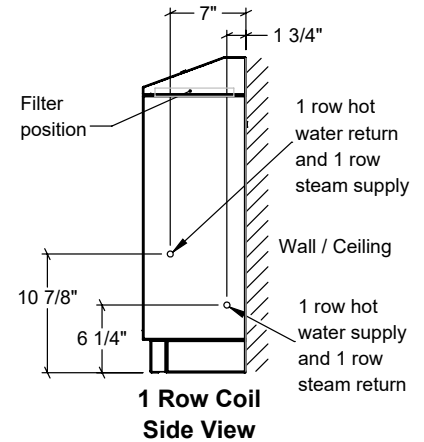
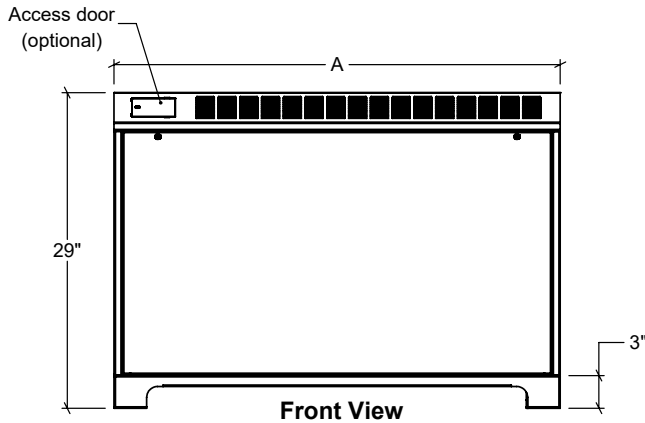


Dimensions and Data

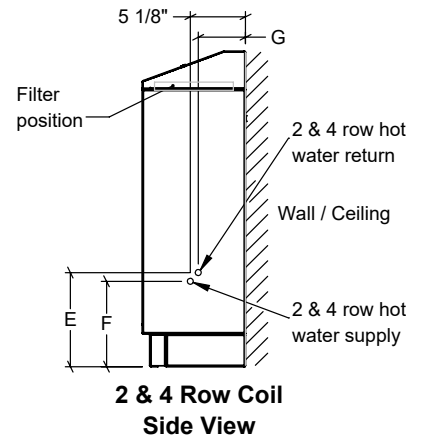


Unit size	A		B	C	Louvers		** Bargrille	
	Std.	* 6" Ext			D	E	D	E
02	29	35	23-1/4	20-1/4	20	6	18	5
03	35	41	29-1/4	26-1/4	26	6	24	5
04	41	47	35-1/4	32-1/4	32	6	30	5
06	53	59	47-1/4	44-1/4	44	6	42	5
08	59	64	53-1/4	50-1/4	50	6	48	5
10	67	73	61-1/4	58-1/4	58	6	56	5
12	77	83	71-1/4	68-1/4	68	6	66	5

* Optional end pocket extension



Dimensional data			
Coil	E	F	G
2 Row	8-5/8	7-7/8	4-3/8
4 Row	8-3/8	6-1/8	3-1/4



Notes:

- 1, 2, and 4 row coil supply and return connections are 1/2" nominal (5/8" OD) on all sizes
- Inlet grille optional
- Unit shown with left hand piping connections
- Right hand piping connections available as an option
- Piping hand determined when facing the air outlet
- All listed dimensions are approximate and are subject to change without notice
- Modifications to the product specifications must be accepted by Zehnder at its base office
- See www.zehnder-rittling.com for any recent updates or changes