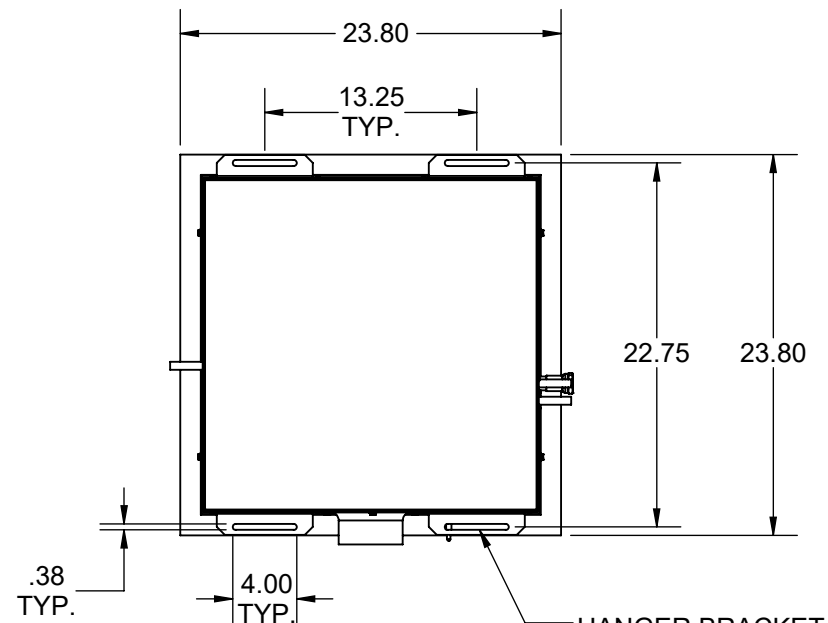
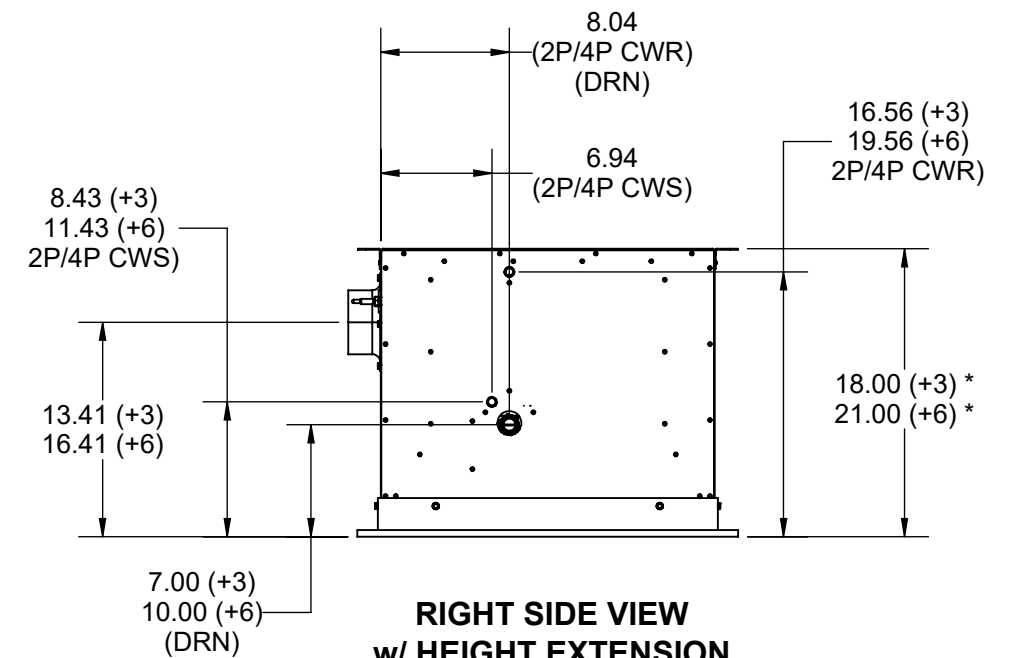


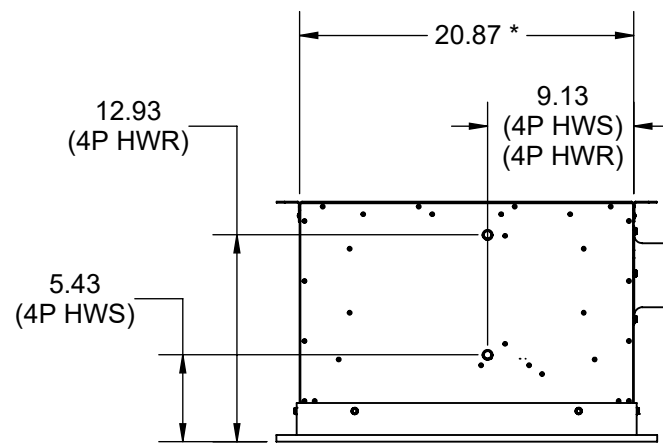
**LEFT SIDE VIEW
w/ HEIGHT EXTENSION**



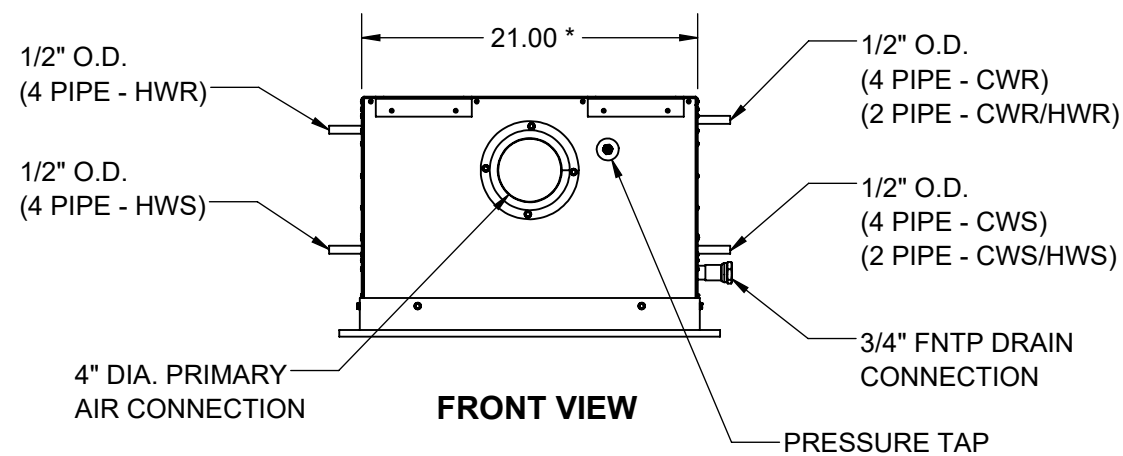
TOP VIEW



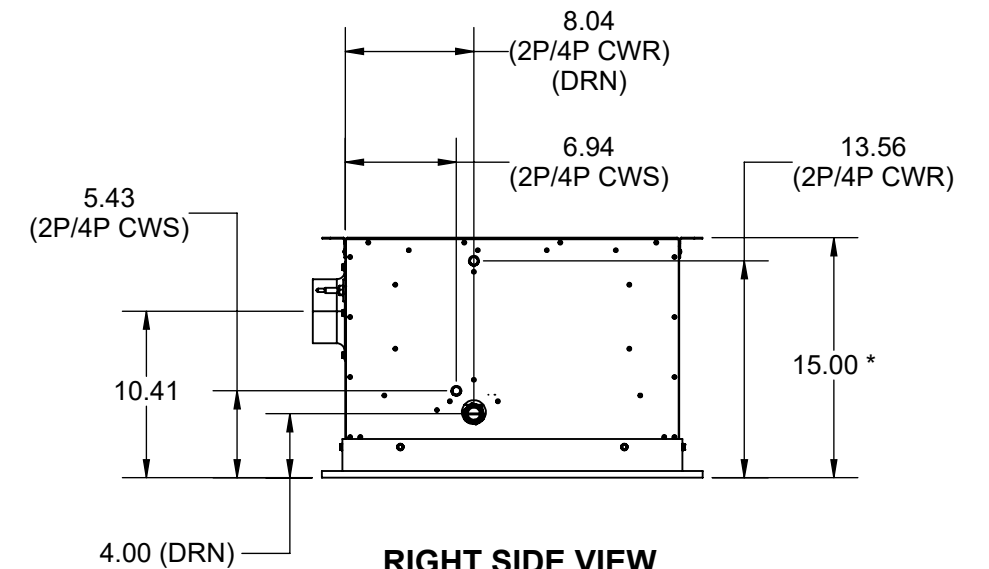
**RIGHT SIDE VIEW
w/ HEIGHT EXTENSION**



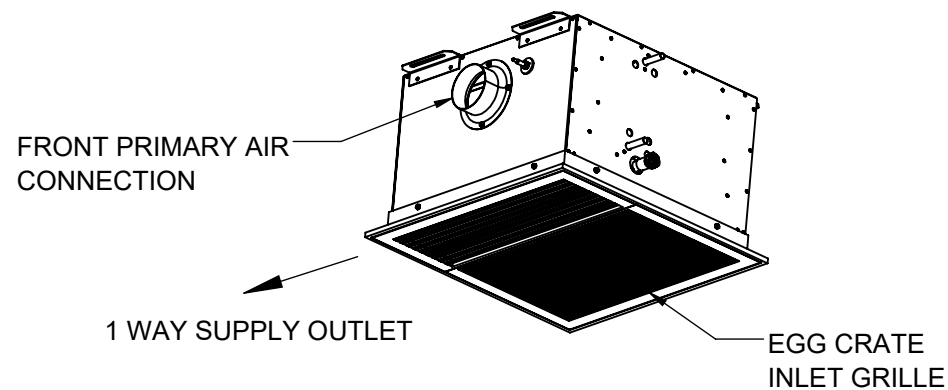
**LEFT SIDE VIEW
STANDARD HEIGHT**



FRONT VIEW



**RIGHT SIDE VIEW
STANDARD HEIGHT**

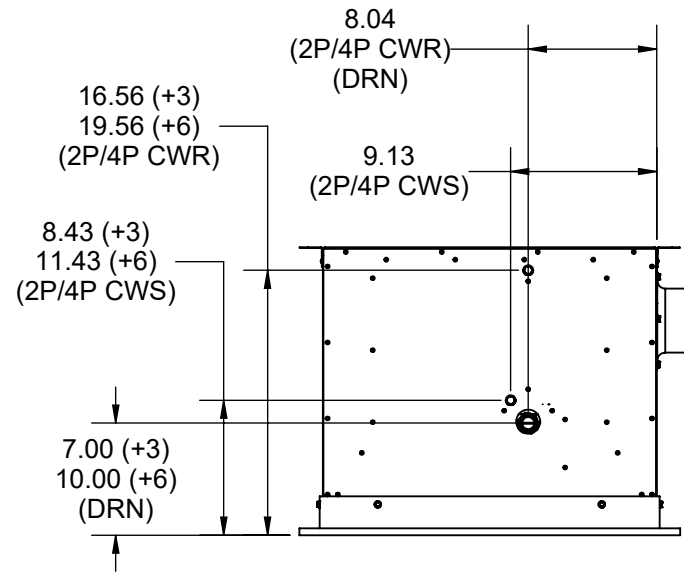


**FRONT PRIMARY AIR, 1 WAY
LEFT HAND COIL CONNECTIONS**

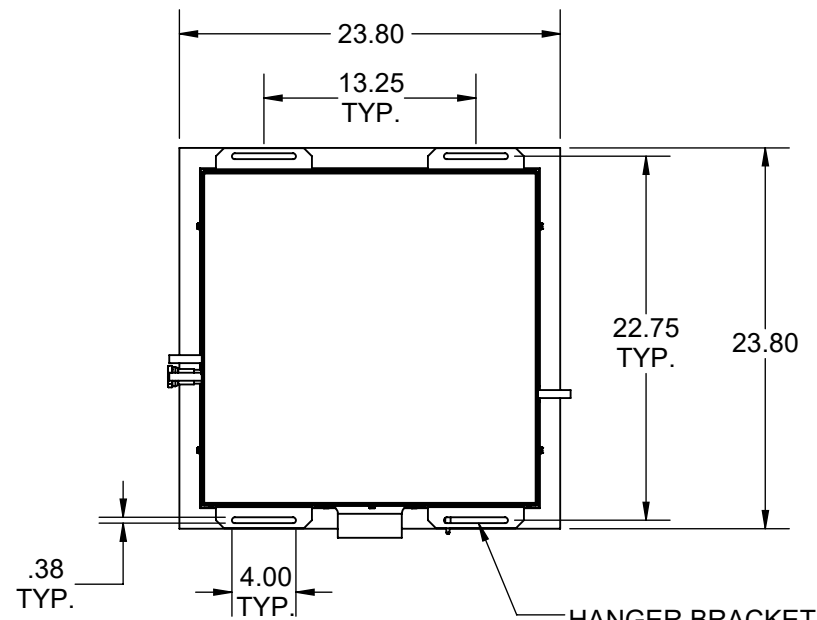
* FOR 1/4" THICK INSULATION ADD 1/4" TO CABINET DIMENSIONS
FOR 1/2" THICK INSULATION ADD 1/4" TO CABINET DIMENSIONS

PROPRIETARY AND CONFIDENTIAL
THE INFORMATION CONTAINED
IN THIS DRAWING IS THE SOLE
PROPERTY OF RITTLING. ANY
REPRODUCTION IN PART OR AS
A WHOLE WITHOUT THE WRITTEN
PERMISSION OF RITTLING IS
PROHIBITED.

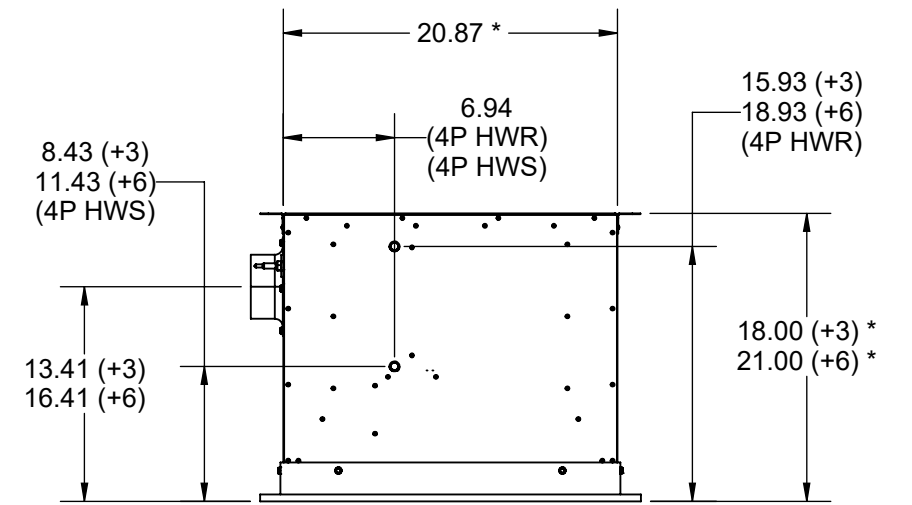
		BUFFALO, NEW YORK	
TITLE :	QM1 - FRONT PRIMARY AIR	DATE:	10/19/20
JOB NAME :		REVISION:	DWN BY: C JKE
DWG. NO. :	11D00035021A	SHEET 1 OF 2	



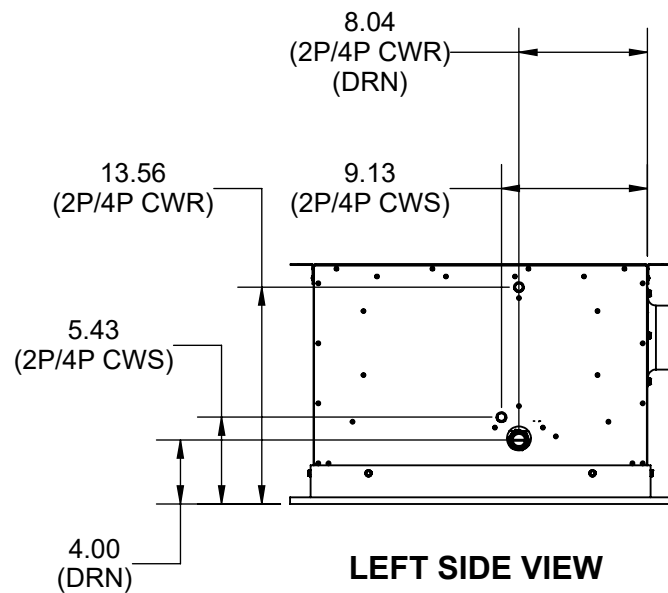
**LEFT SIDE VIEW
w/ HEIGHT EXTENSION**



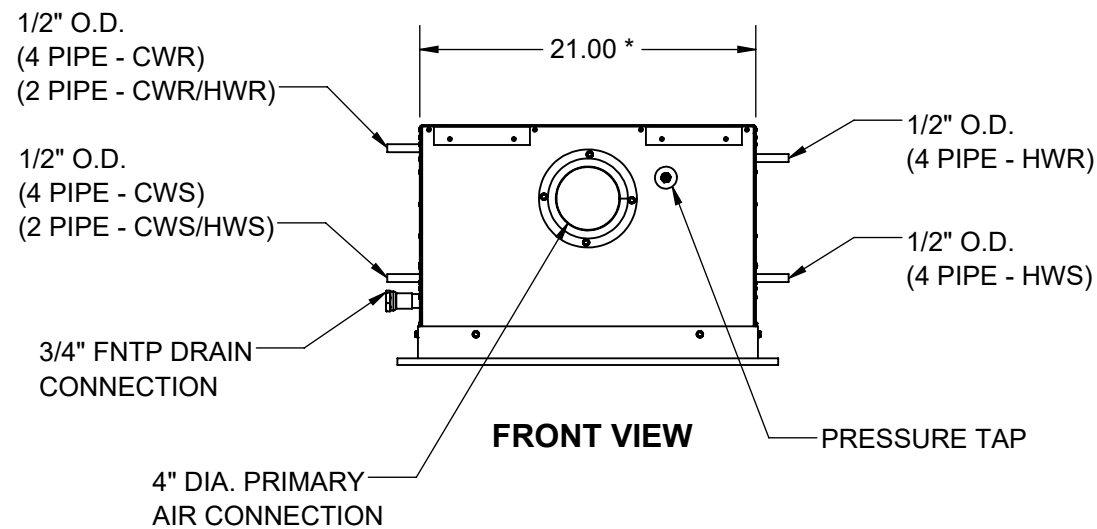
TOP VIEW



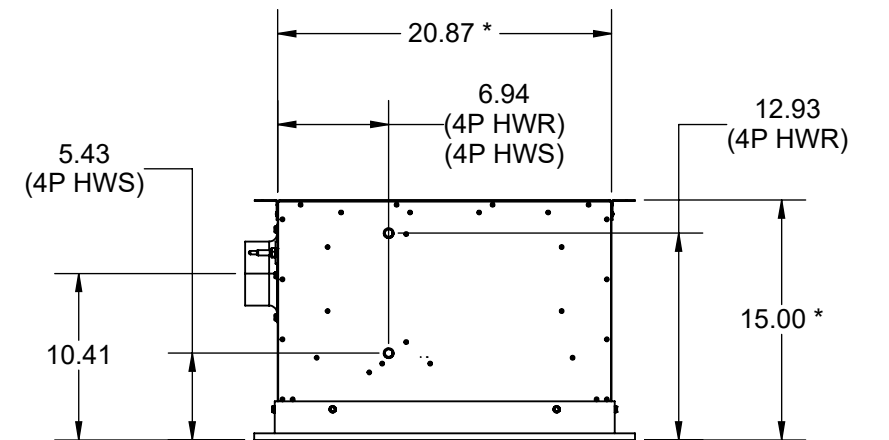
**RIGHT SIDE VIEW
w/ HEIGHT EXTENSION**



**LEFT SIDE VIEW
STANDARD HEIGHT**

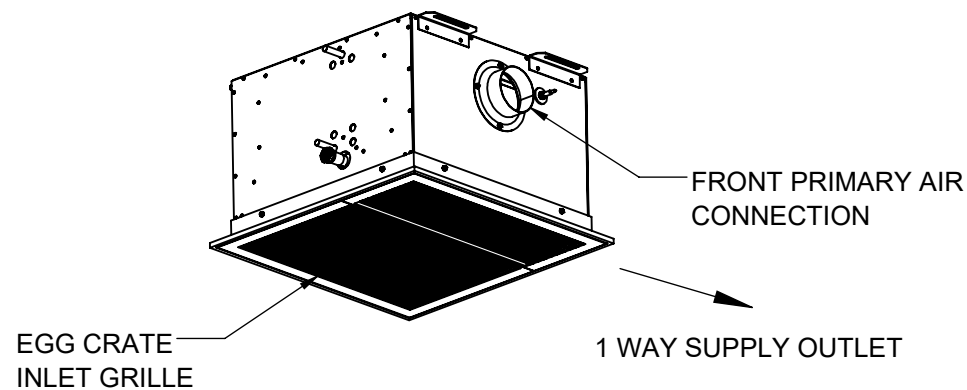


FRONT VIEW



**RIGHT SIDE VIEW
STANDARD HEIGHT**

* FOR 1/4" THICK INSULATION ADD 1/4" TO CABINET DIMENSIONS
FOR 1/2" THICK INSULATION ADD 1/4" TO CABINET DIMENSIONS



**FRONT PRIMARY AIR, 1 WAY
RIGHT HAND COIL CONNECTIONS**

PROPRIETARY AND CONFIDENTIAL
THE INFORMATION CONTAINED
IN THIS DRAWING IS THE SOLE
PROPERTY OF RITTLING. ANY
REPRODUCTION IN PART OR AS
A WHOLE WITHOUT THE WRITTEN
PERMISSION OF RITTLING IS
PROHIBITED.

		BUFFALO, NEW YORK	
TITLE :	QM1 - FRONT PRIMARY AIR	DATE:	10/19/20
JOB NAME :		REVISION:	DWN BY: C JKE
DWG. NO. :	11D00035021A	SHEET 2 OF 2	