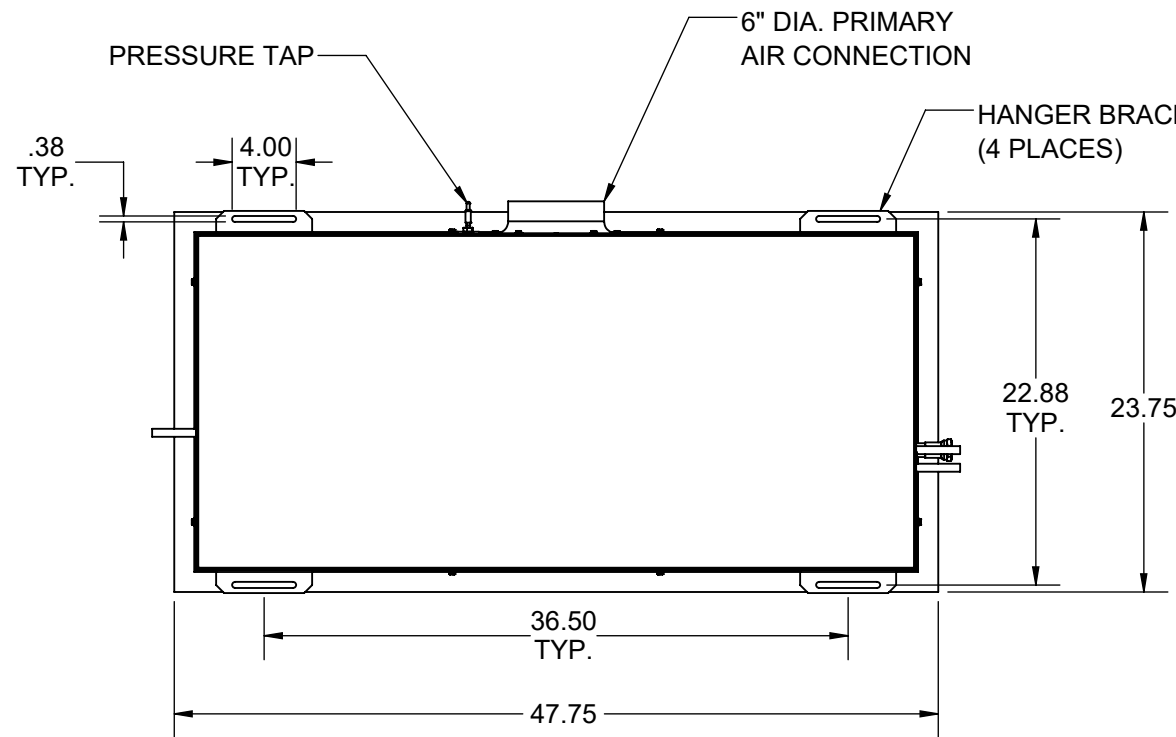
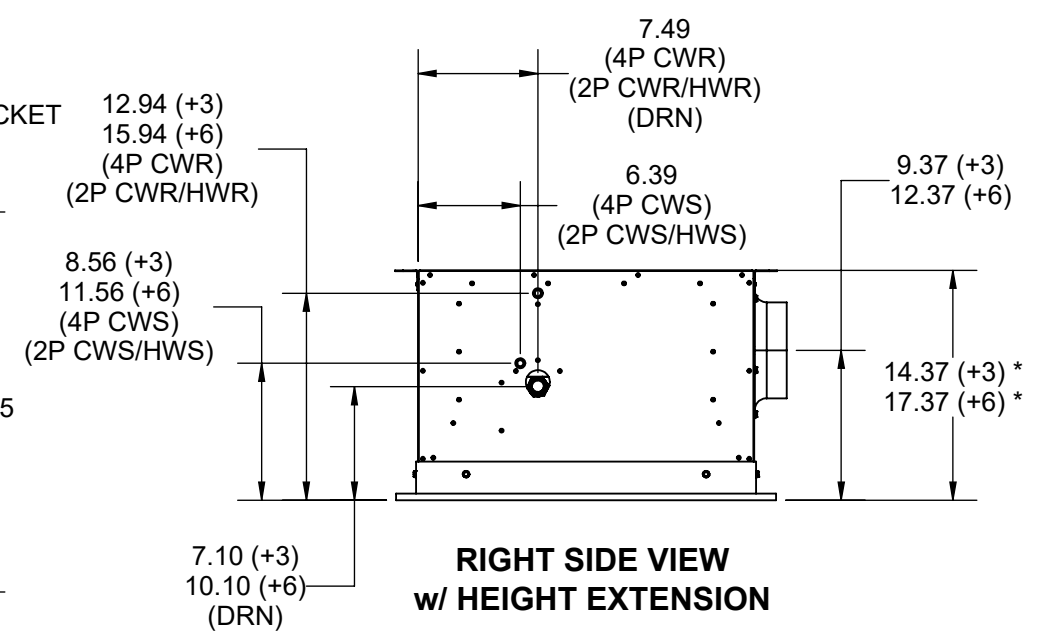


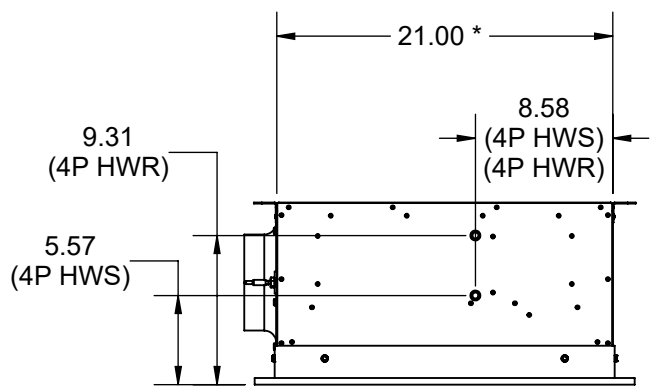
**LEFT SIDE VIEW
w/ HEIGHT EXTENSION**



TOP VIEW

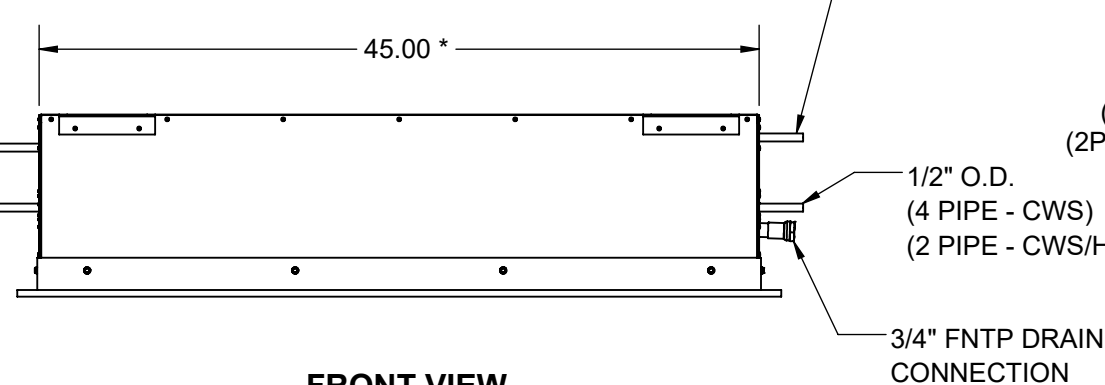


**RIGHT SIDE VIEW
w/ HEIGHT EXTENSION**



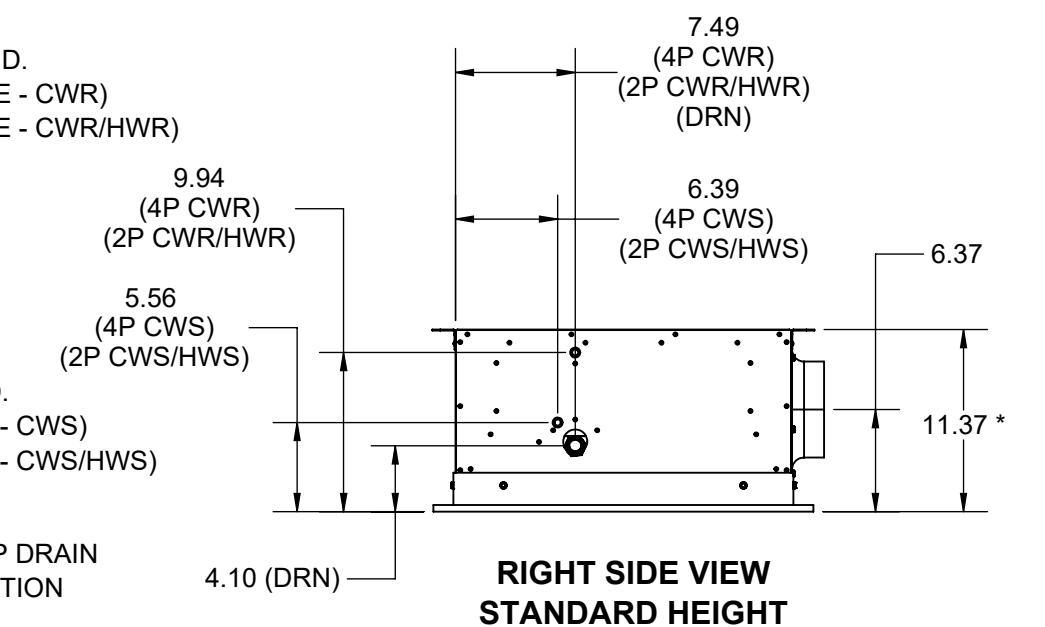
**LEFT SIDE VIEW
STANDARD HEIGHT**

1/2" O.D.
(4 PIPE - HWR)
1/2" O.D.
(4 PIPE - HWS)



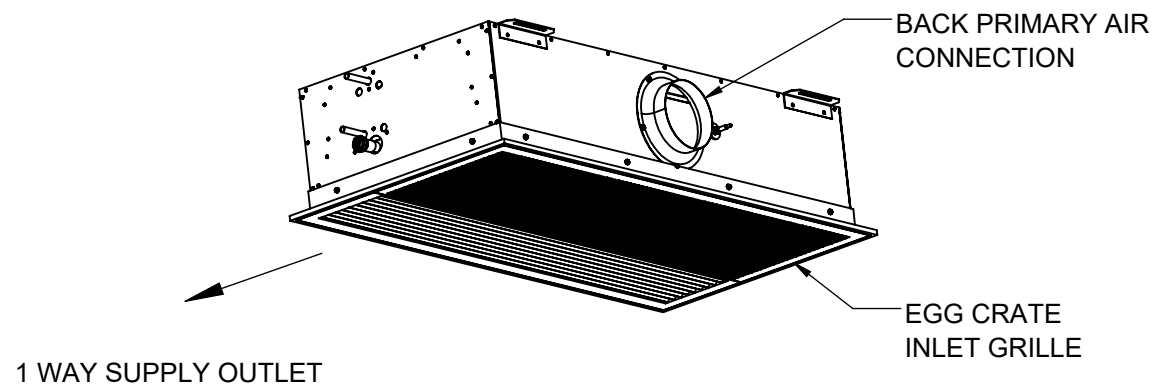
FRONT VIEW

1/2" O.D.
(4 PIPE - CWR)
(2 PIPE - CWR/HWR)
1/2" O.D.
(4 PIPE - CWS)
(2 PIPE - CWS/HWS)
3/4" FNTF DRAIN
CONNECTION



**RIGHT SIDE VIEW
STANDARD HEIGHT**

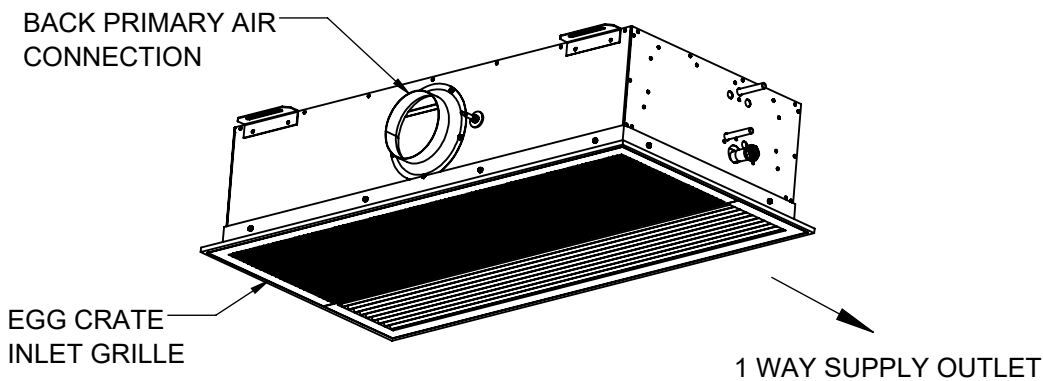
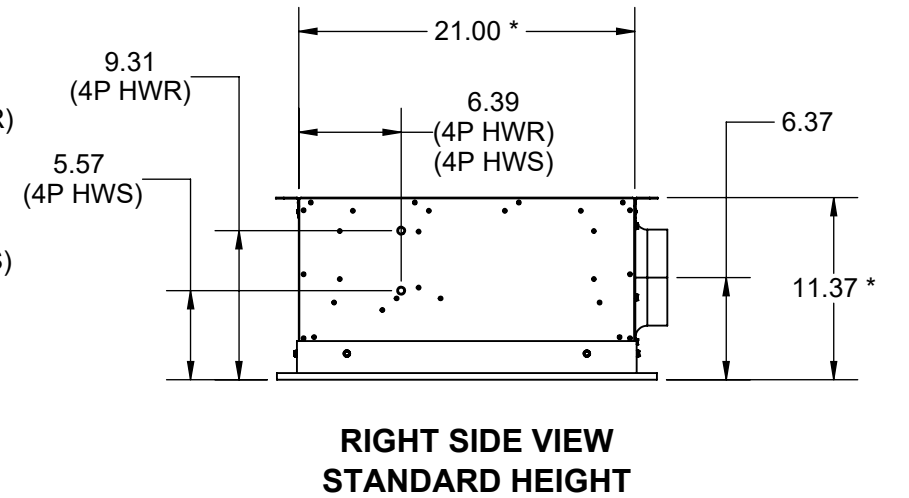
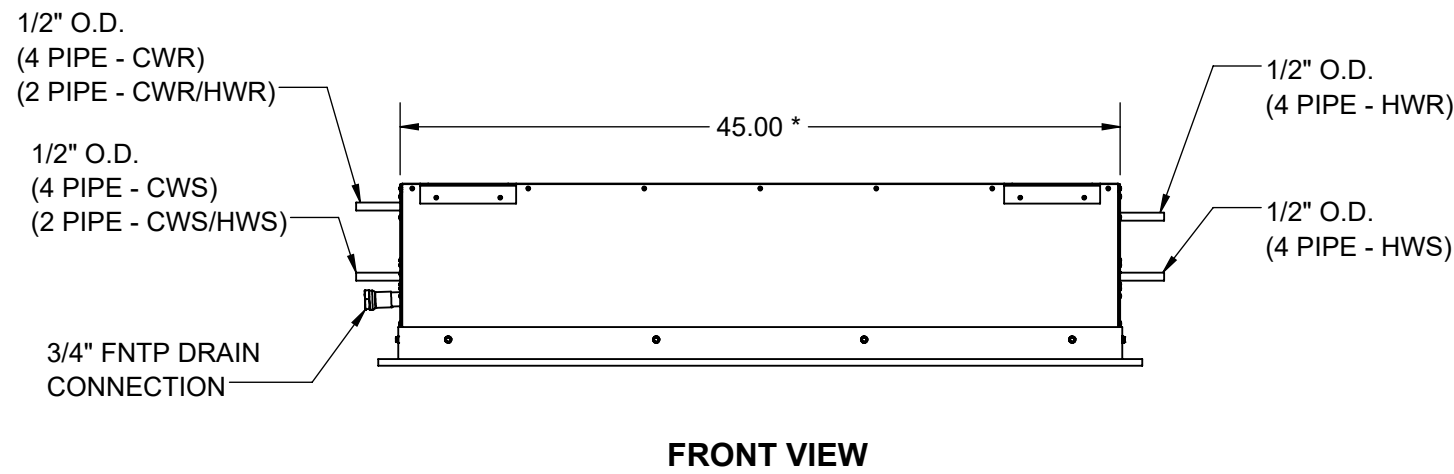
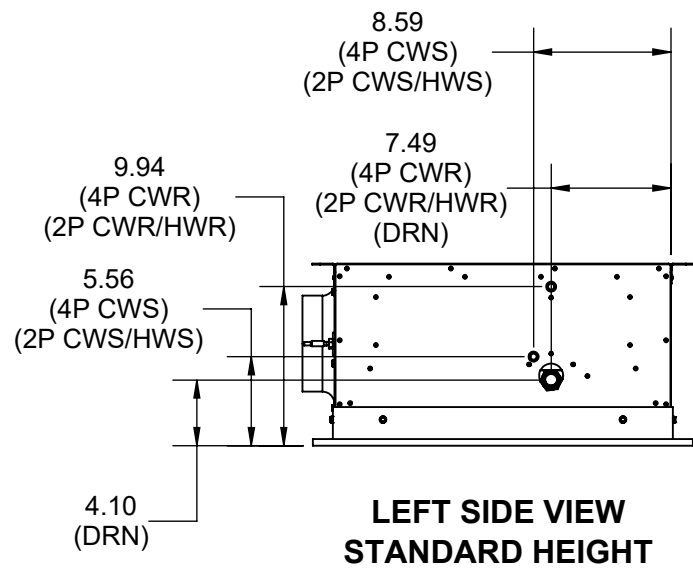
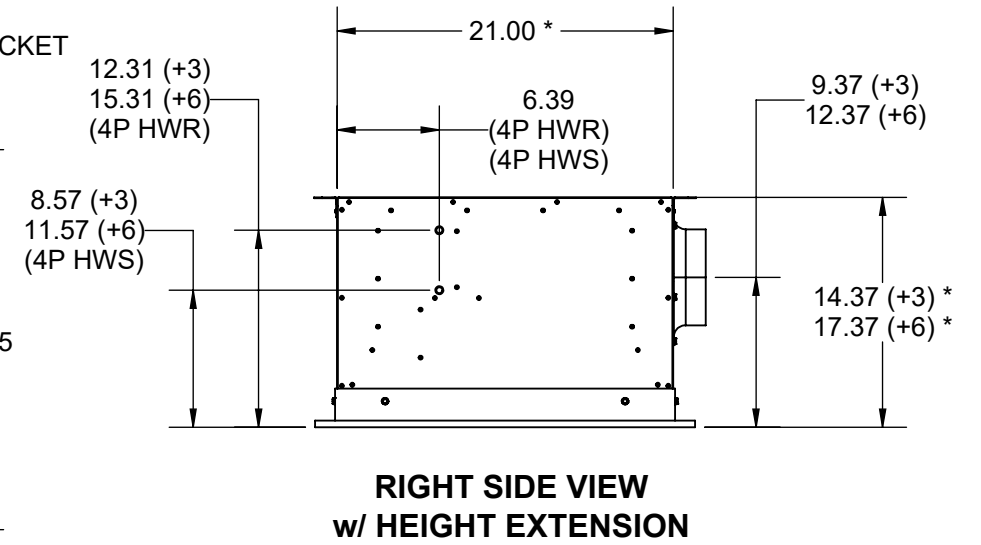
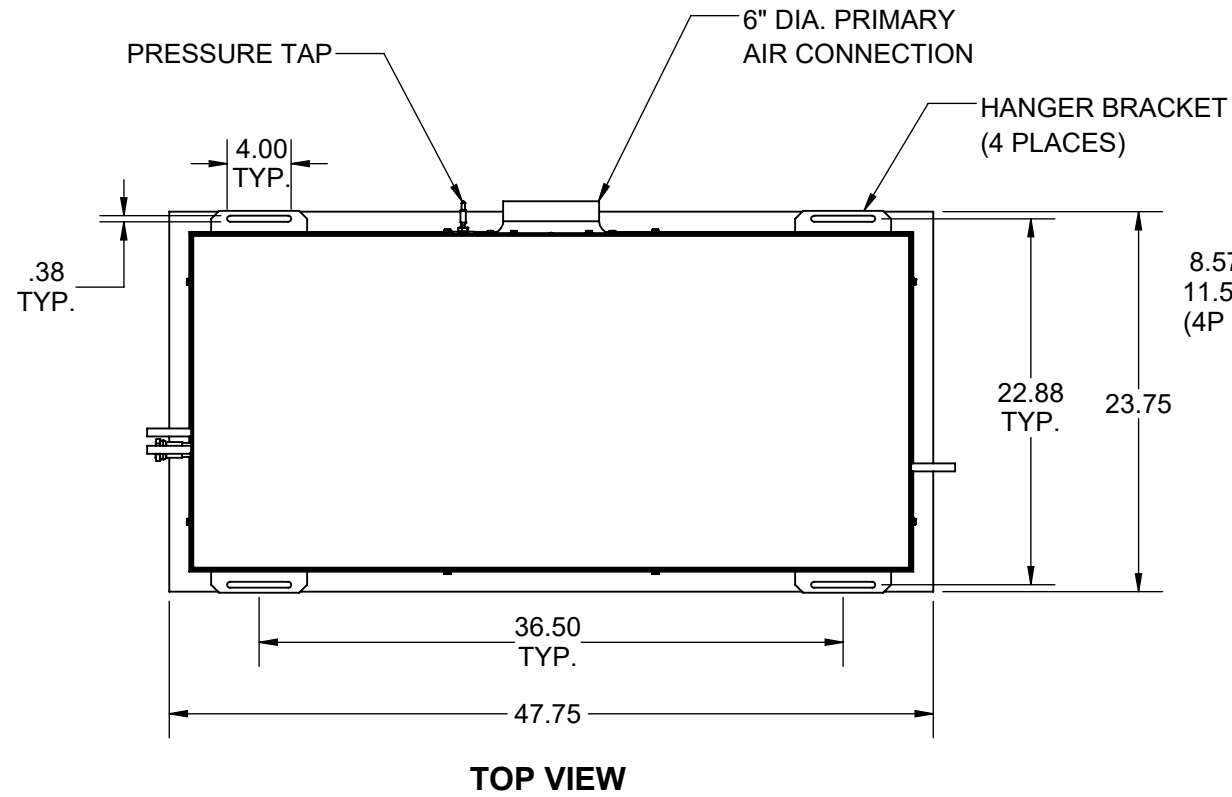
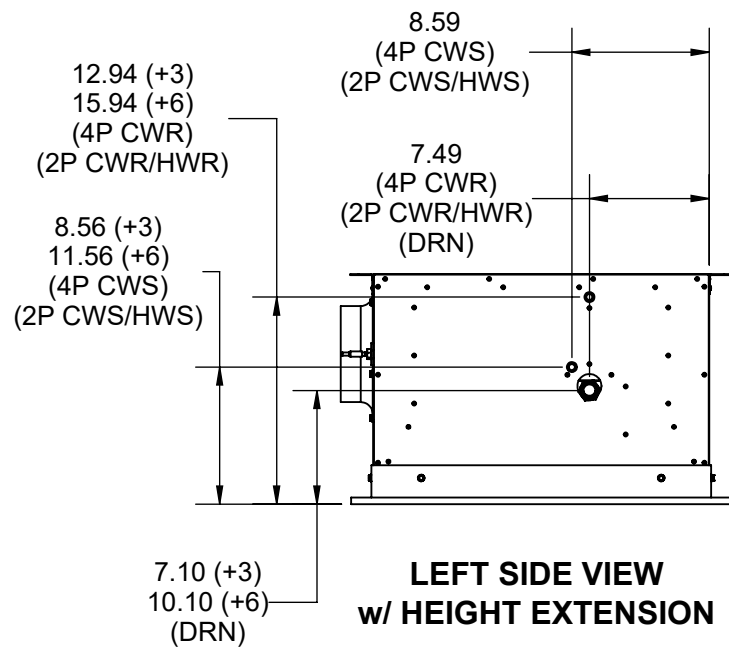
* FOR 1/4" THICK INSULATION ADD 1/4" TO CABINET DIMENSIONS
FOR 1/2" THICK INSULATION ADD 1/4" TO CABINET DIMENSIONS



**BACK PRIMARY AIR, 1 WAY
LEFT HAND COIL CONNECTIONS**

PROPRIETARY AND CONFIDENTIAL
THE INFORMATION CONTAINED
IN THIS DRAWING IS THE SOLE
PROPERTY OF RITTLING. ANY
REPRODUCTION IN PART OR AS
A WHOLE WITHOUT THE WRITTEN
PERMISSION OF RITTLING IS
PROHIBITED.

		BUFFALO, NEW YORK	
TITLE :	QLU - BACK PRIMARY AIR	DATE:	08/11/20
JOB NAME :		REVISION:	DWN BY: C JKE
DWG. NO. :	11D00034973A	SHEET 1 OF 2	



* FOR 1/4" THICK INSULATION ADD 1/4" TO CABINET DIMENSIONS
FOR 1/2" THICK INSULATION ADD 1/4" TO CABINET DIMENSIONS

PROPRIETARY AND CONFIDENTIAL
THE INFORMATION CONTAINED
IN THIS DRAWING IS THE SOLE
PROPERTY OF RITTLING. ANY
REPRODUCTION IN PART OR AS
A WHOLE WITHOUT THE WRITTEN
PERMISSION OF RITTLING IS
PROHIBITED.

		BUFFALO, NEW YORK	
TITLE :	QLU - BACK PRIMARY AIR	DATE:	08/11/20
JOB NAME :		REVISION:	DWN BY: C JKE
DWG. NO. :	11D00034973A	SHEET 2 OF 2	