
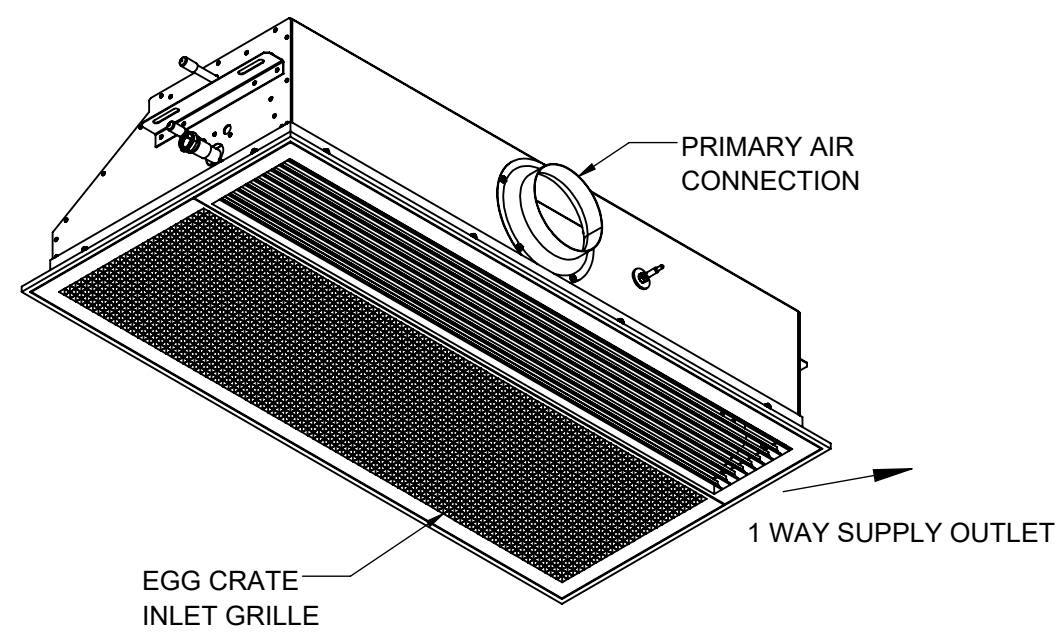
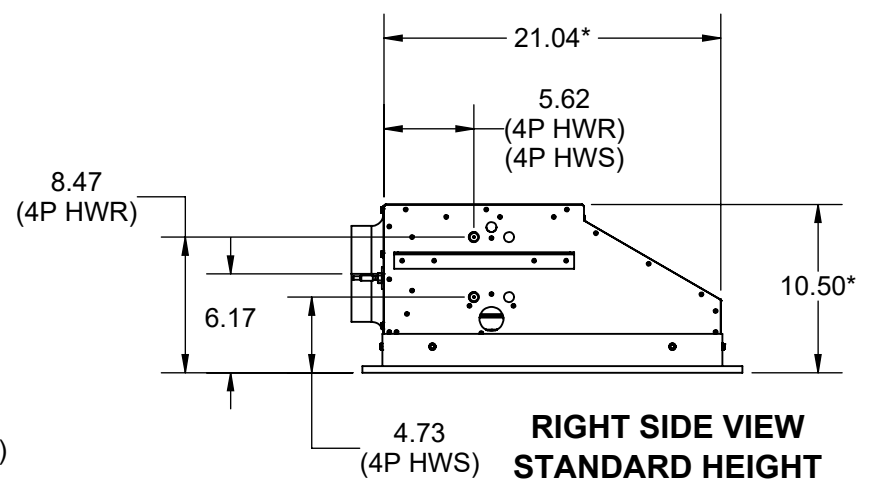
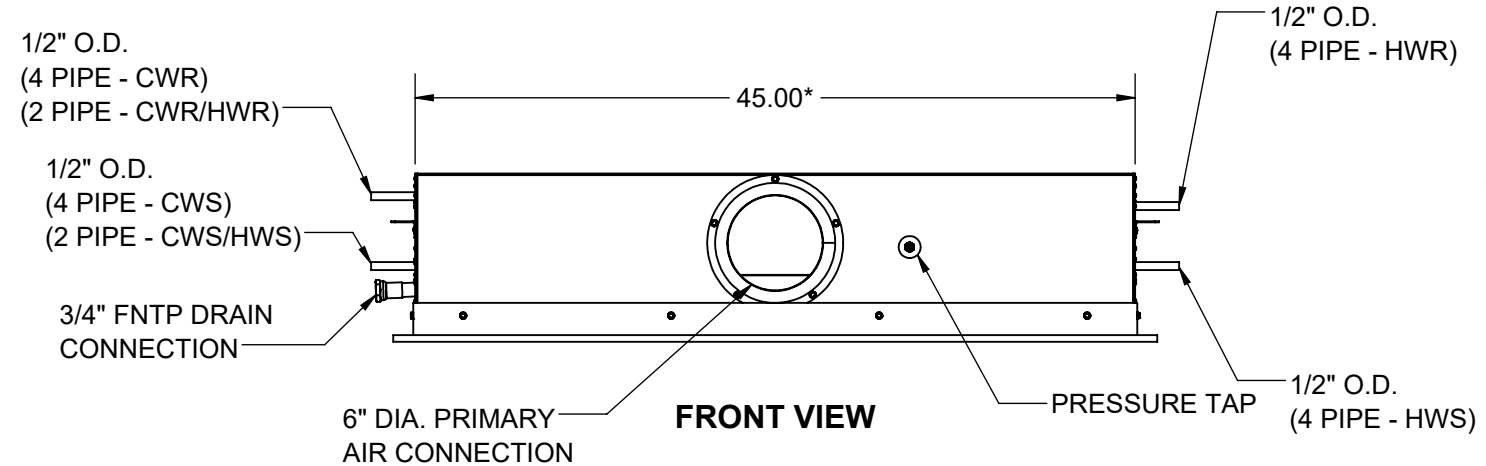
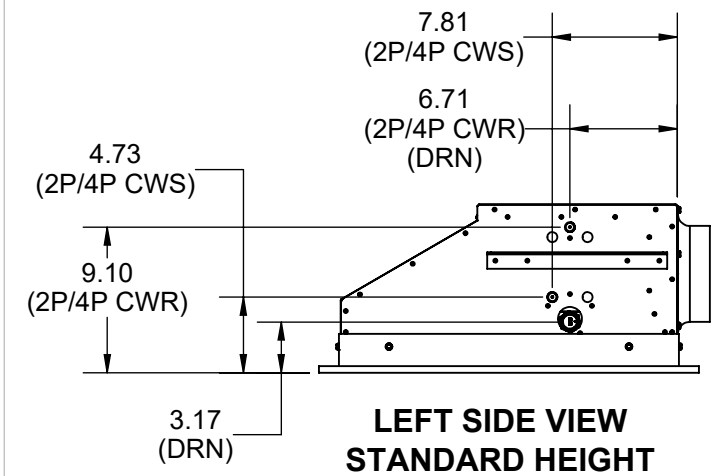
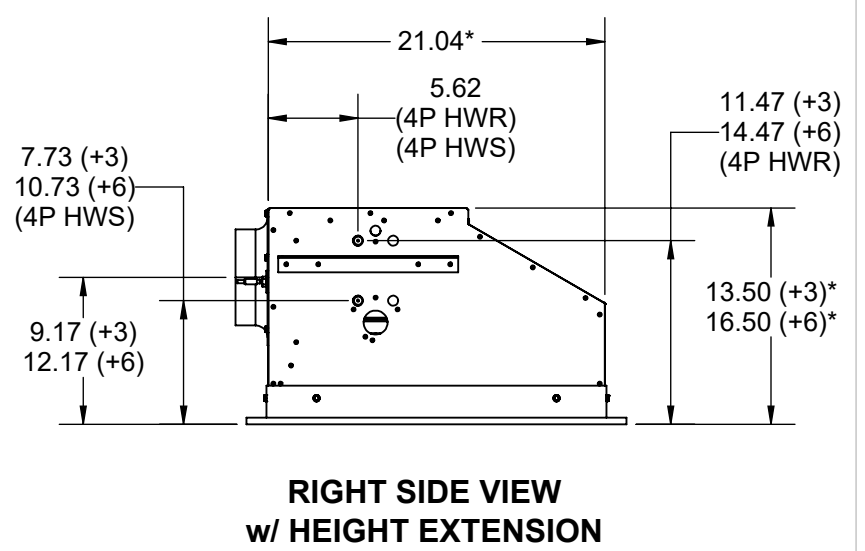
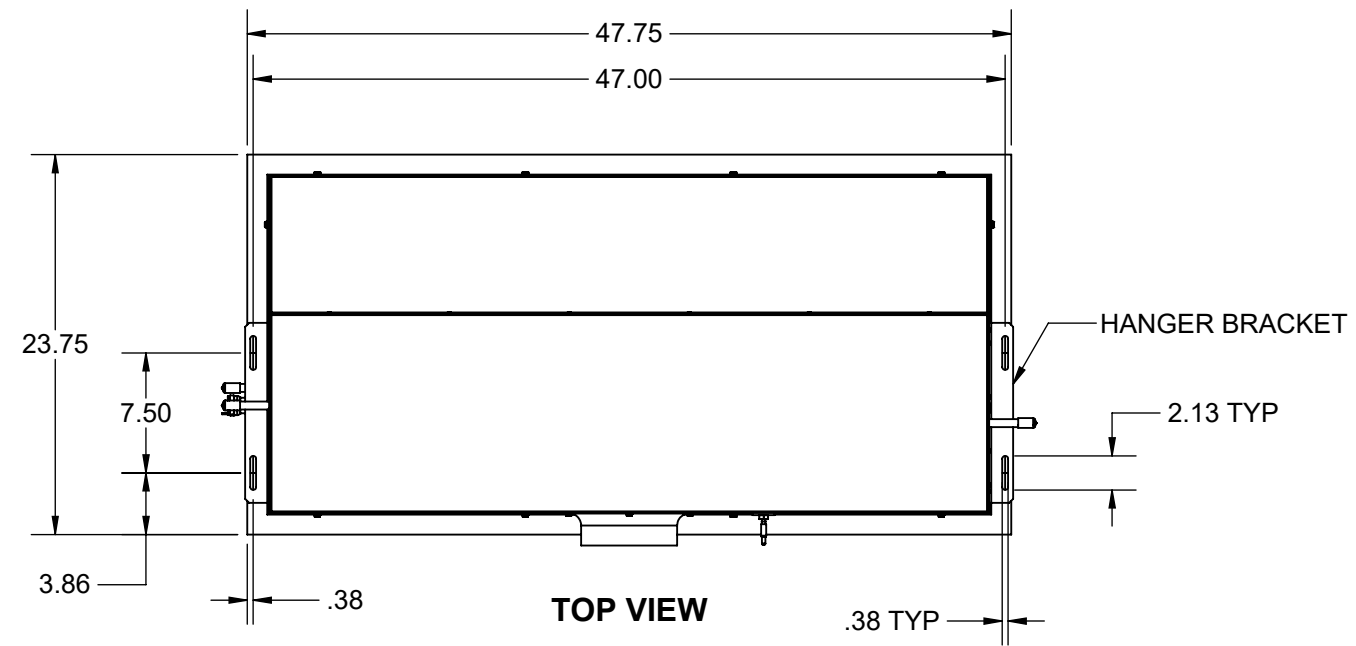
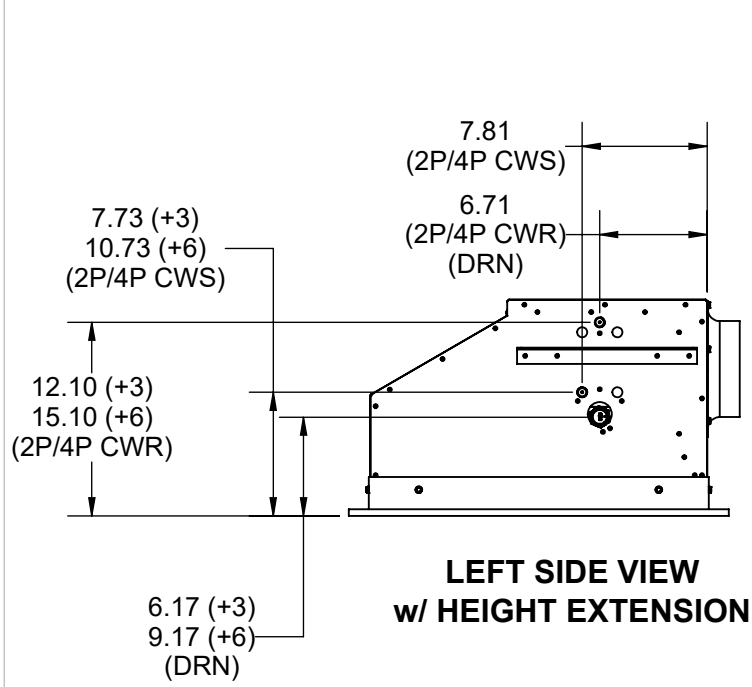


* FOR 1/4" THICK INSULATION ADD 1/4" TO CABINET DIMENSIONS
 FOR 1/2" THICK INSULATION ADD 1/4" TO CABINET DIMENSIONS

LEFT HAND COIL CONNECTIONS

PROPRIETARY AND CONFIDENTIAL
 THE INFORMATION CONTAINED
 IN THIS DRAWING IS THE SOLE
 PROPERTY OF RITTLING. ANY
 REPRODUCTION IN PART OR AS
 A WHOLE WITHOUT THE WRITTEN
 PERMISSION OF RITTLING IS
 PROHIBITED.

		BUFFALO, NEW YORK	
TITLE :	QLS	DATE:	1/28/21
JOB NAME :		REVISION:	DWN BY: A TGL
DWG. NO. :	11D00035107A	SHEET 1 OF 2	



RIGHT HAND COIL CONNECTIONS

* FOR 1/4" THICK INSULATION ADD 1/4" TO CABINET DIMENSIONS
FOR 1/2" THICK INSULATION ADD 1/4" TO CABINET DIMENSIONS

PROPRIETARY AND CONFIDENTIAL
THE INFORMATION CONTAINED
IN THIS DRAWING IS THE SOLE
PROPERTY OF RITTLING. ANY
REPRODUCTION IN PART OR AS
A WHOLE WITHOUT THE WRITTEN
PERMISSION OF RITTLING IS
PROHIBITED.

		BUFFALO, NEW YORK	
TITLE :	QLS	DATE:	1/28/21
JOB NAME :		REVISION:	DWN BY: A TGL
DWG. NO. :	11D00035107A	SHEET 2 OF 2	