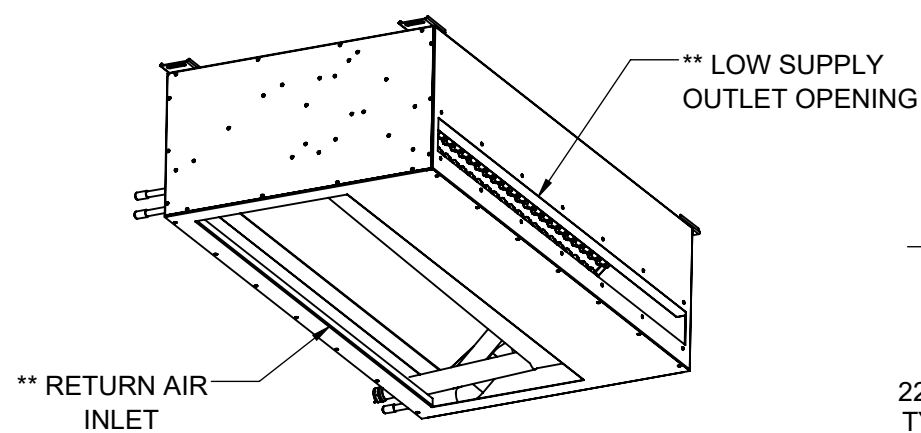
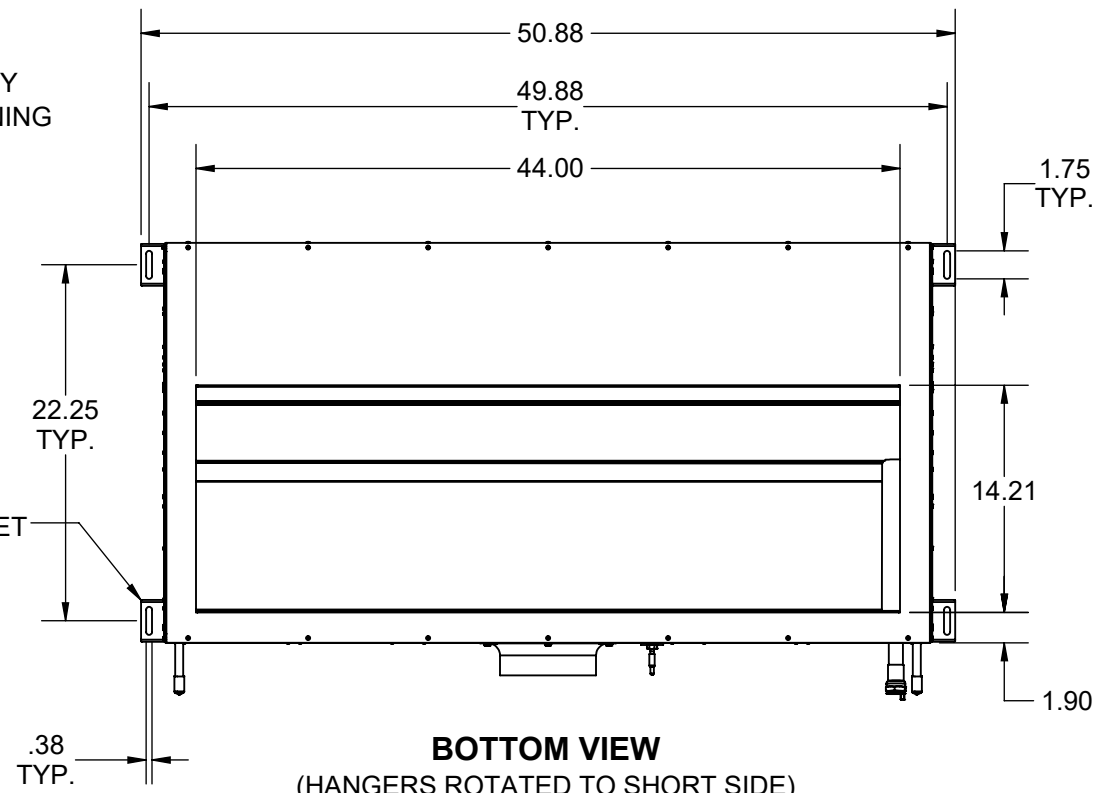


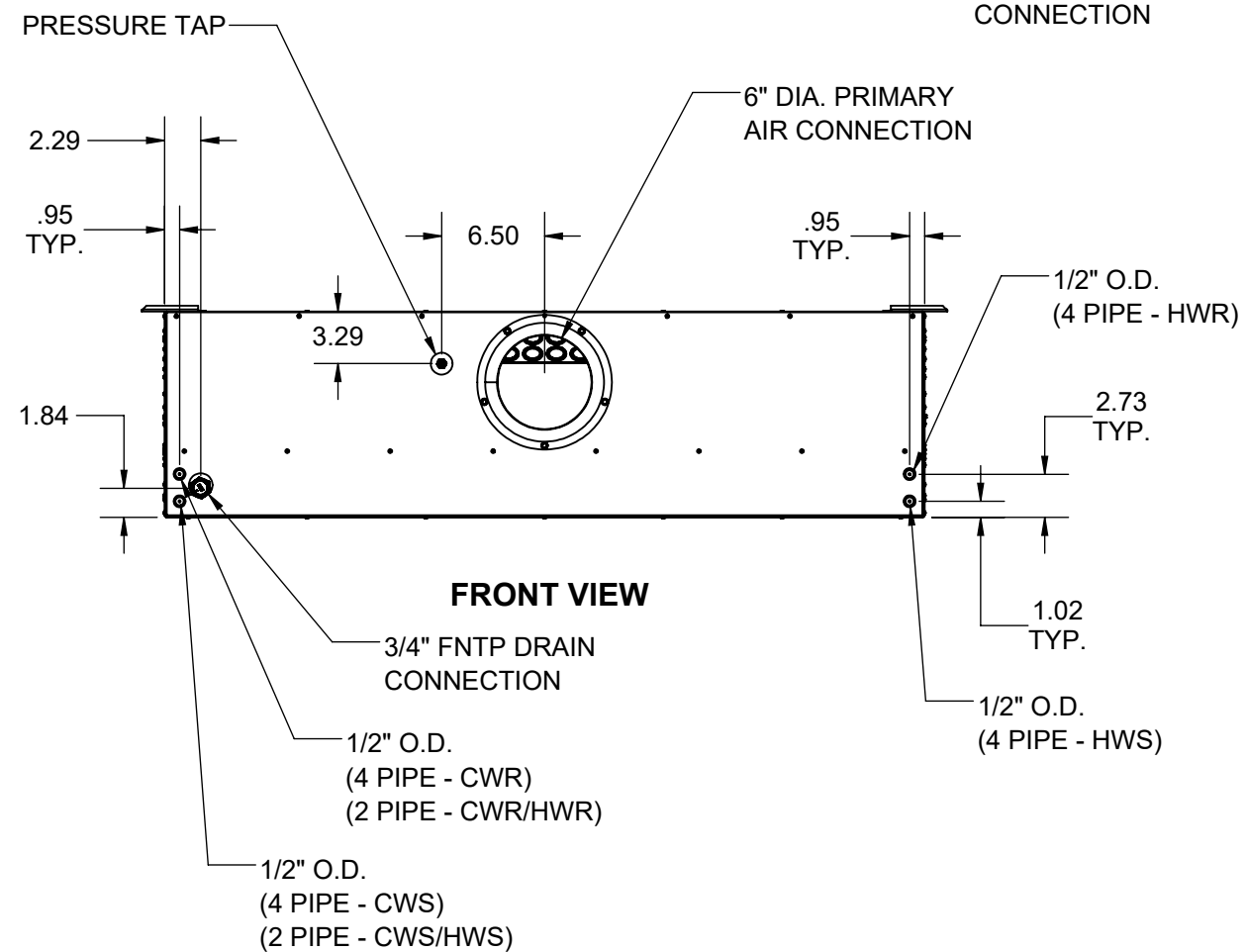
TOP VIEW
(HANGERS ROTATED TO LONG SIDE)



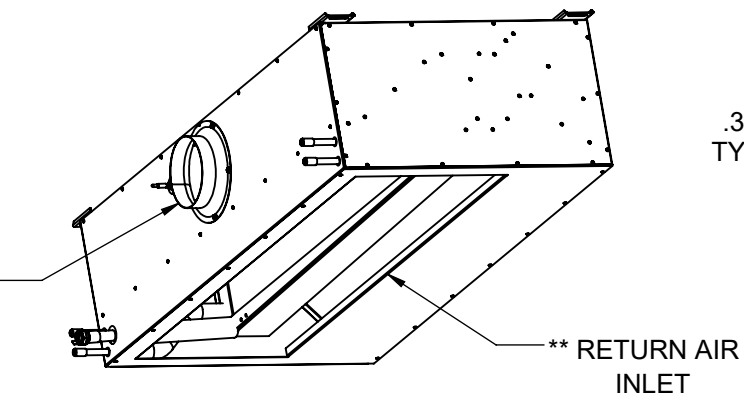
FIELD ADJUSTABLE HANGER BRACKET
(SHOWN ROTATED TO SHORT SIDE)
(4 PLACES)



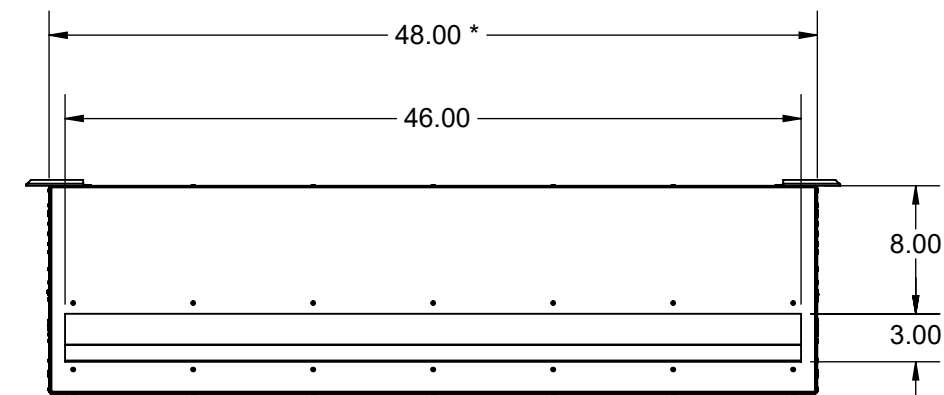
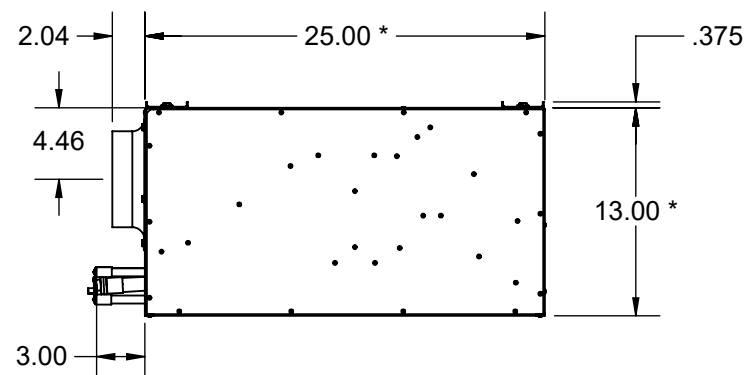
BOTTOM VIEW
(HANGERS ROTATED TO SHORT SIDE)



FRONT VIEW



RIGHT SIDE VIEW



BACK VIEW

* FOR 1/4" THICK INSULATION ADD 1/4" TO CABINET DIMENSIONS
FOR 1/2" THICK INSULATION ADD 1/2" TO CABINET DIMENSIONS

** TRANSITION TO GRILLE BY OTHER

LOW SUPPLY

PROPRIETARY AND CONFIDENTIAL
THE INFORMATION CONTAINED
IN THIS DRAWING IS THE SOLE
PROPERTY OF RITTLING. ANY
REPRODUCTION IN PART OR AS
A WHOLE WITHOUT THE WRITTEN
PERMISSION OF RITTLING IS
PROHIBITED.

		BUFFALO, NEW YORK	
TITLE: QHS - LOW SUPPLY 2&4 PIPE COIL CONN.	DATE: 09/10/20	REVISION: DWN BY:	
JOB NAME:	B	JKE	
DWG. NO.: 11D00034994A			SHEET 1 OF 1