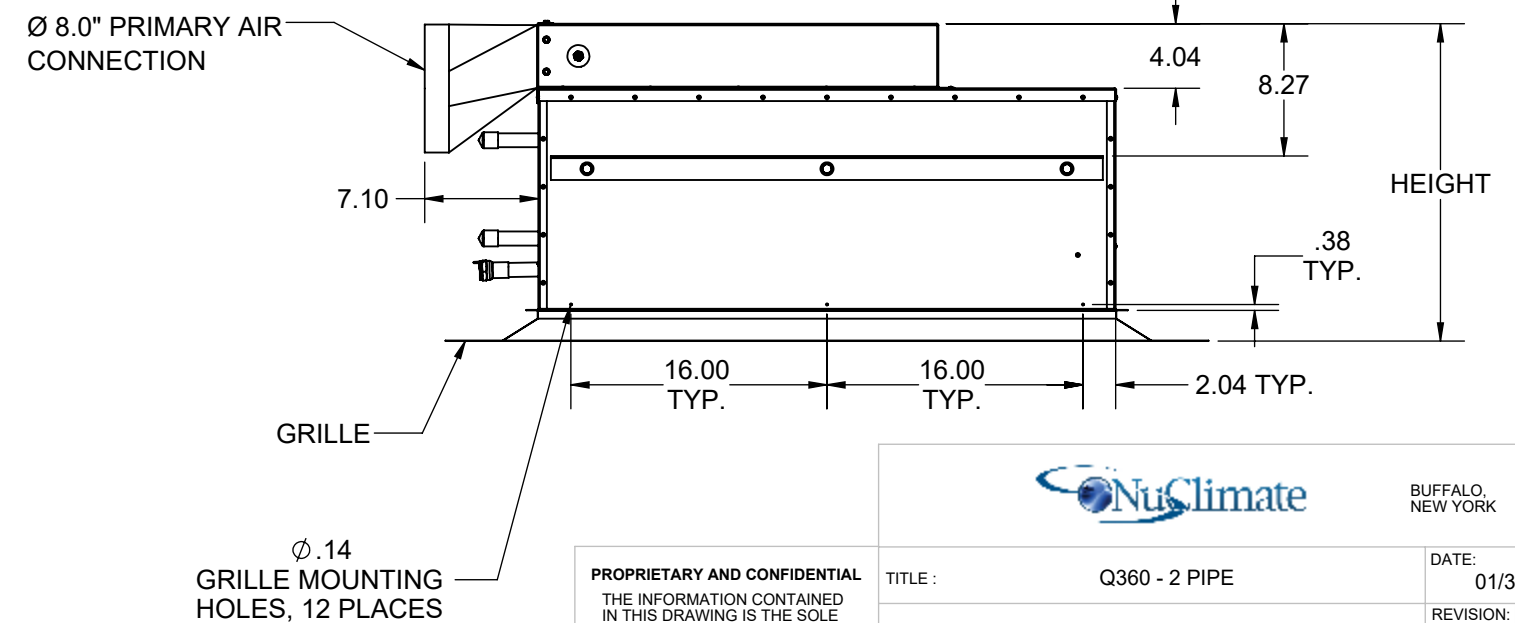
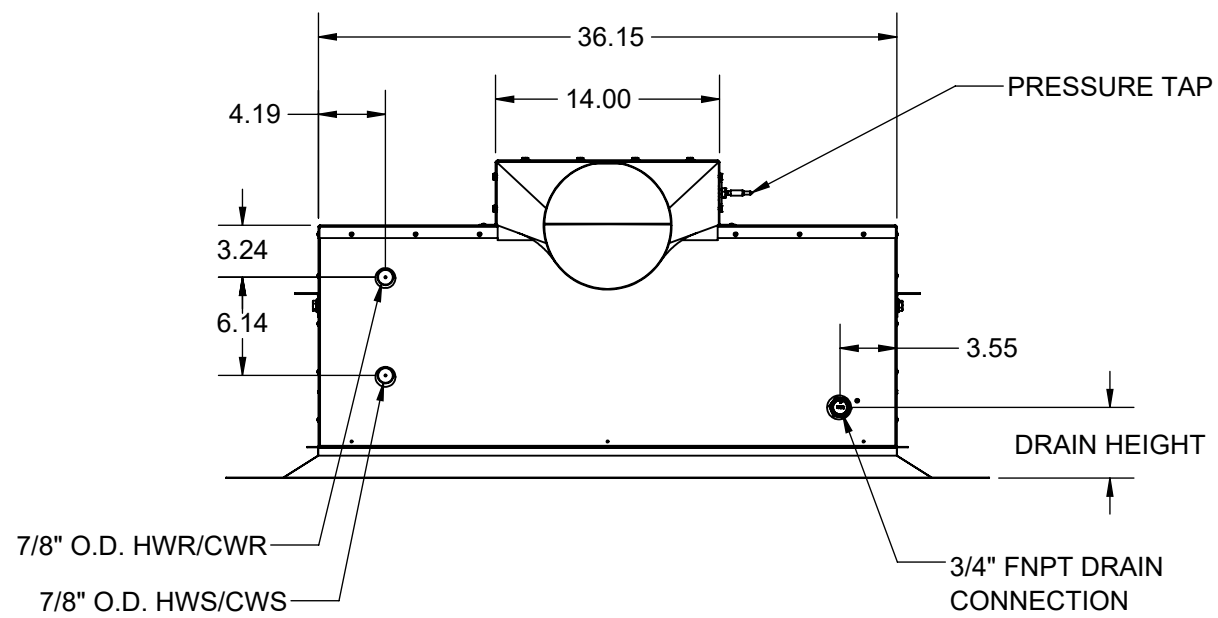


EXTENSION	HEIGHT	DRAIN HEIGHT
NONE	19.83"	4.41"
3"	22.83"	7.41"
4"	23.83"	8.41"
5"	24.83"	9.41"
6"	25.83"	10.41"



PROPRIETARY AND CONFIDENTIAL
 THE INFORMATION CONTAINED
 IN THIS DRAWING IS THE SOLE
 PROPERTY OF RITTLING. ANY
 REPRODUCTION IN PART OR AS
 A WHOLE WITHOUT THE WRITTEN
 PERMISSION OF RITTLING IS
 PROHIBITED.

		BUFFALO, NEW YORK	
TITLE :	Q360 - 2 PIPE	DATE:	01/30/20
JOB NAME :		REVISION:	DWN BY: D JKE
DWG. NO. :	11D00034702A	SHEET 1 OF 1	