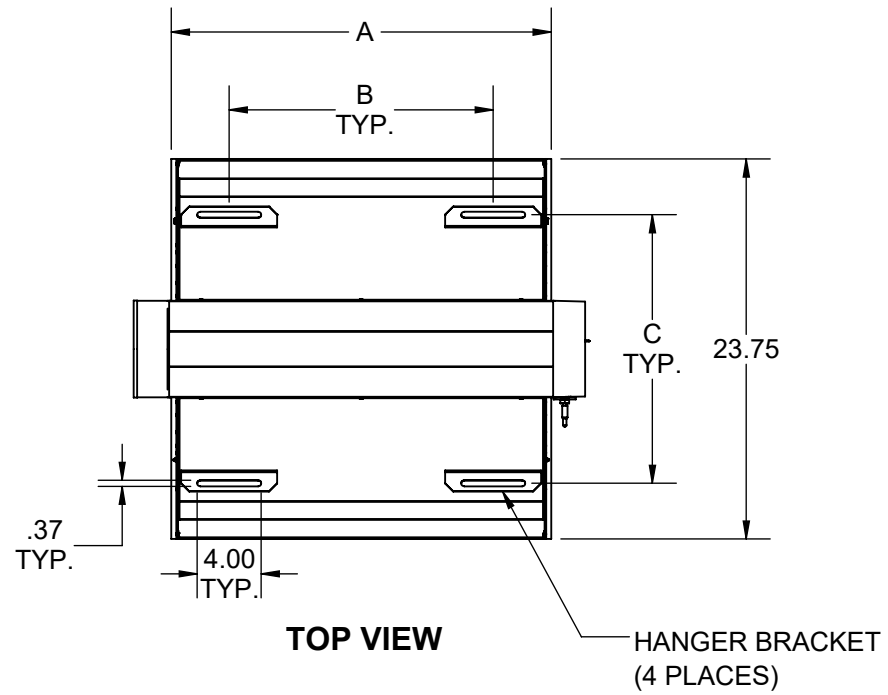
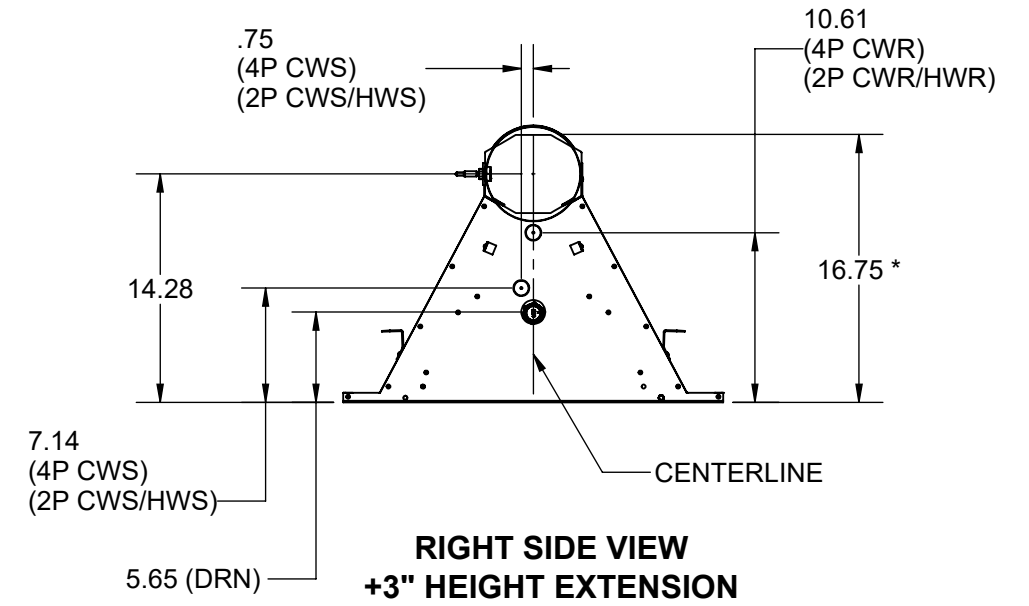


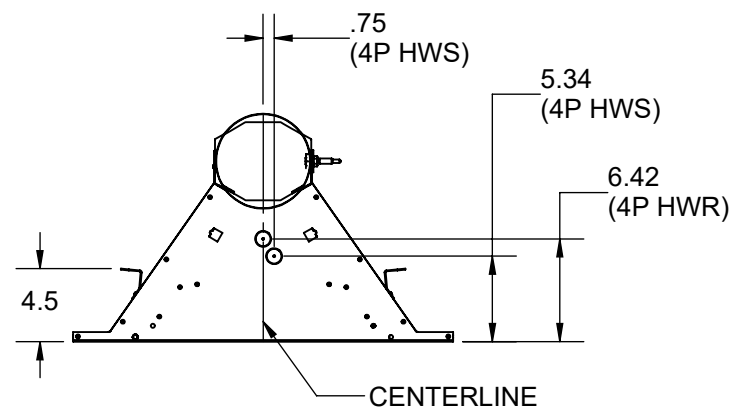
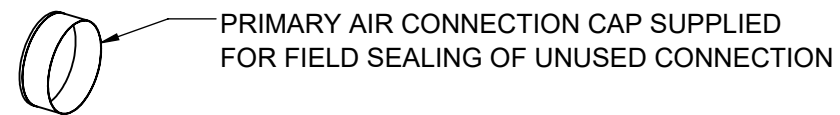
**LEFT SIDE VIEW
+3" HEIGHT EXTENSION**



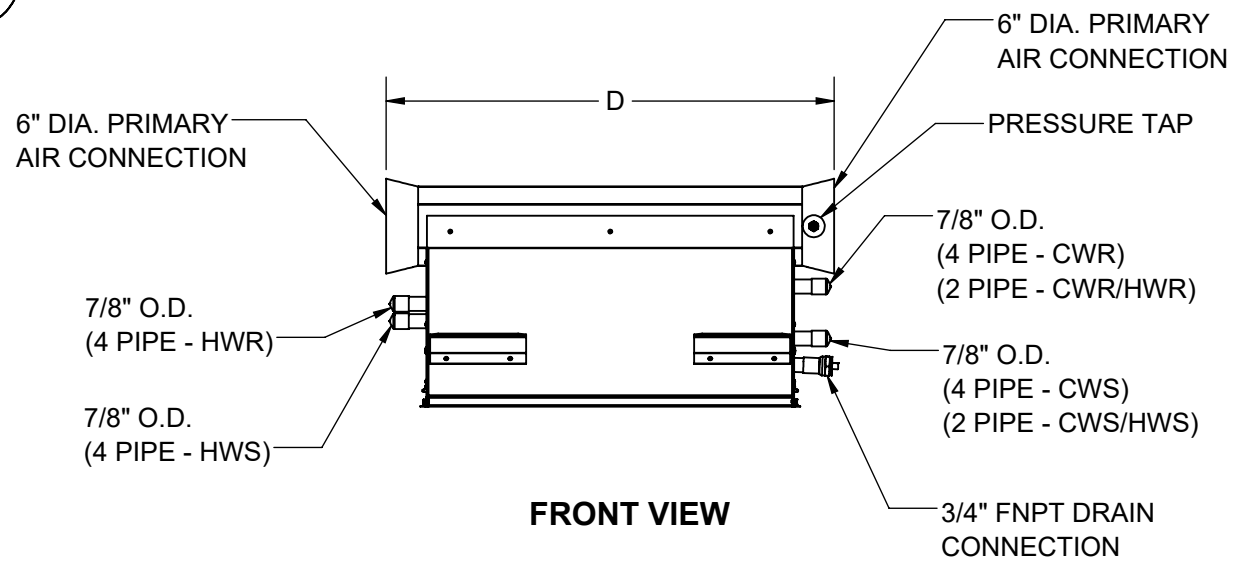
TOP VIEW



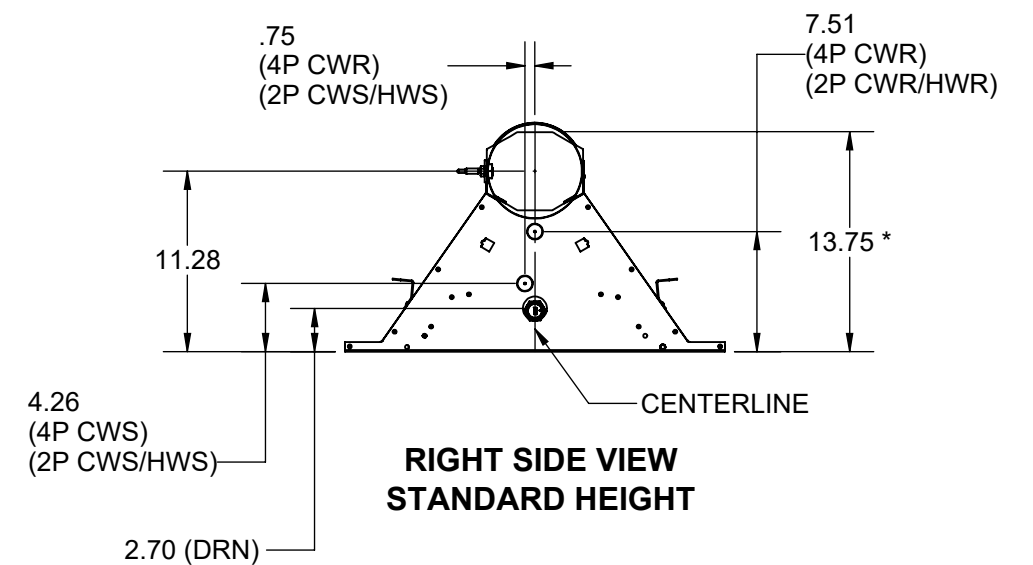
**RIGHT SIDE VIEW
+3" HEIGHT EXTENSION**



**LEFT SIDE VIEW
STANDARD HEIGHT**

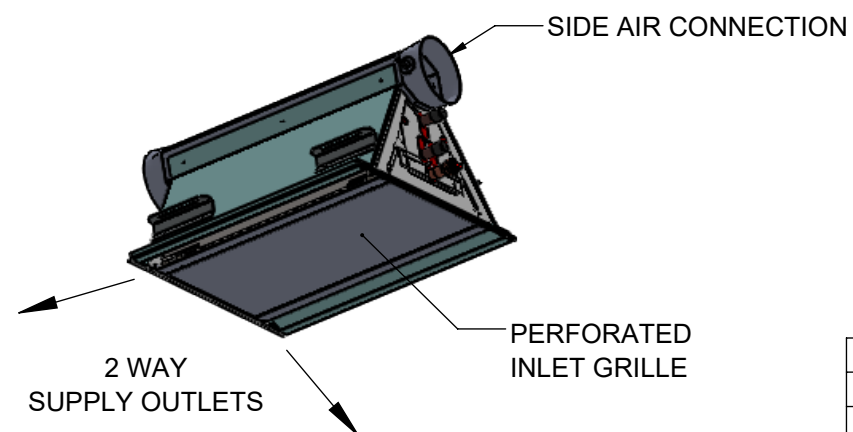


FRONT VIEW



**RIGHT SIDE VIEW
STANDARD HEIGHT**

* FOR 1/4" THICK INSULATION ADD 1/4" TO DIMENSION
FOR 1/2" THICK INSULATION ADD 1/2" TO DIMENSION

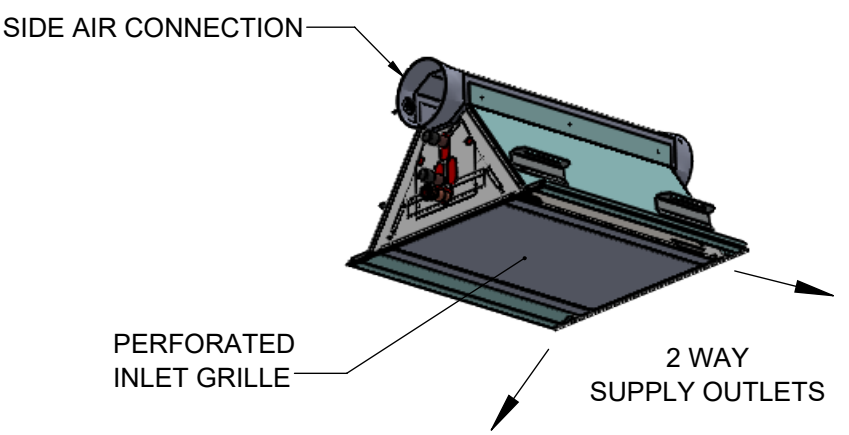
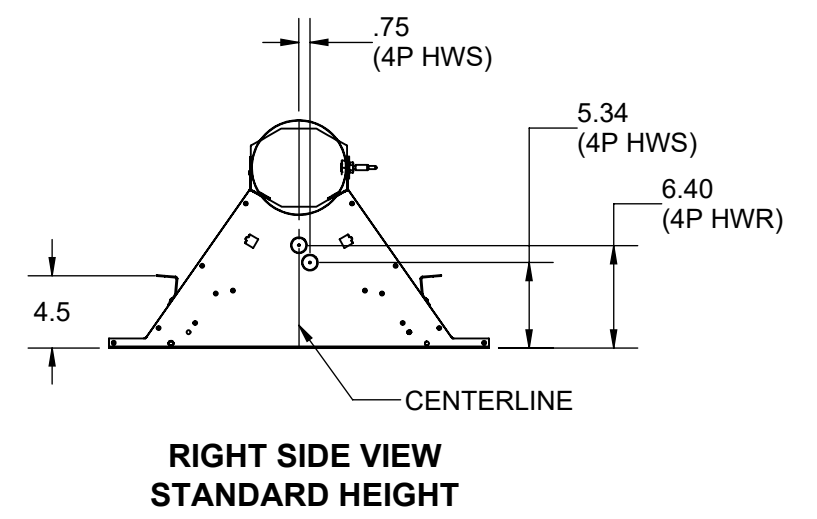
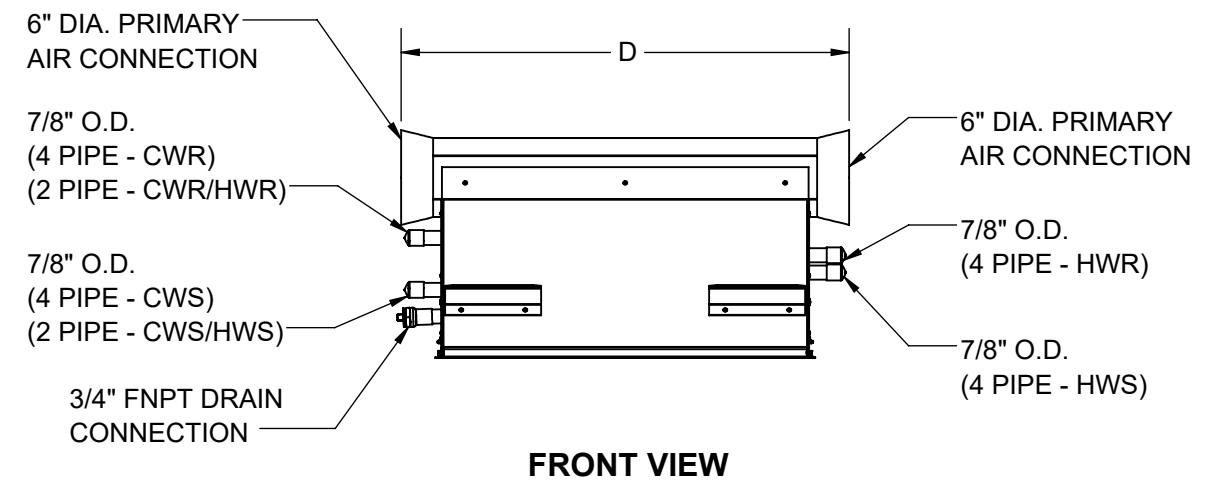
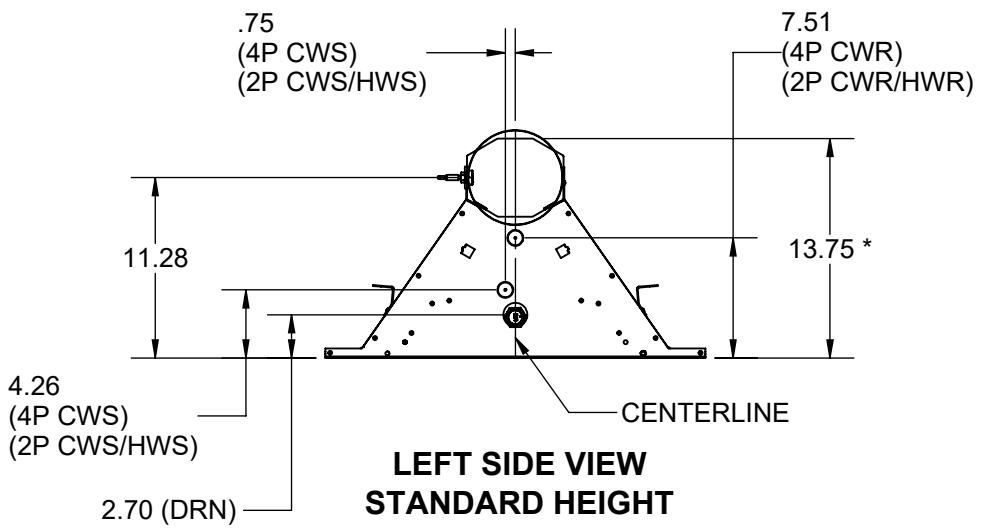
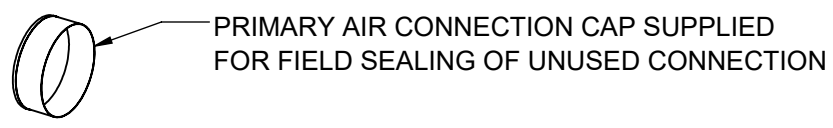
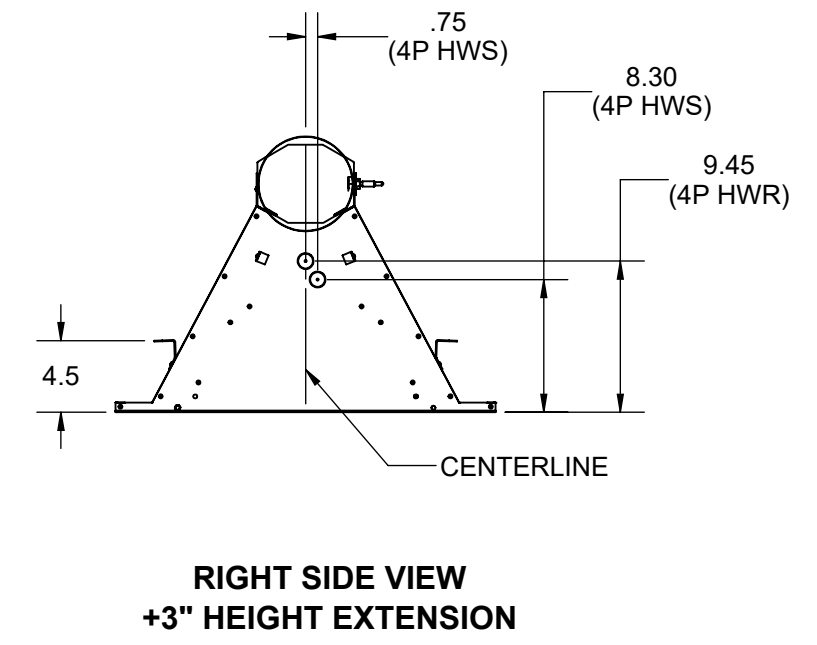
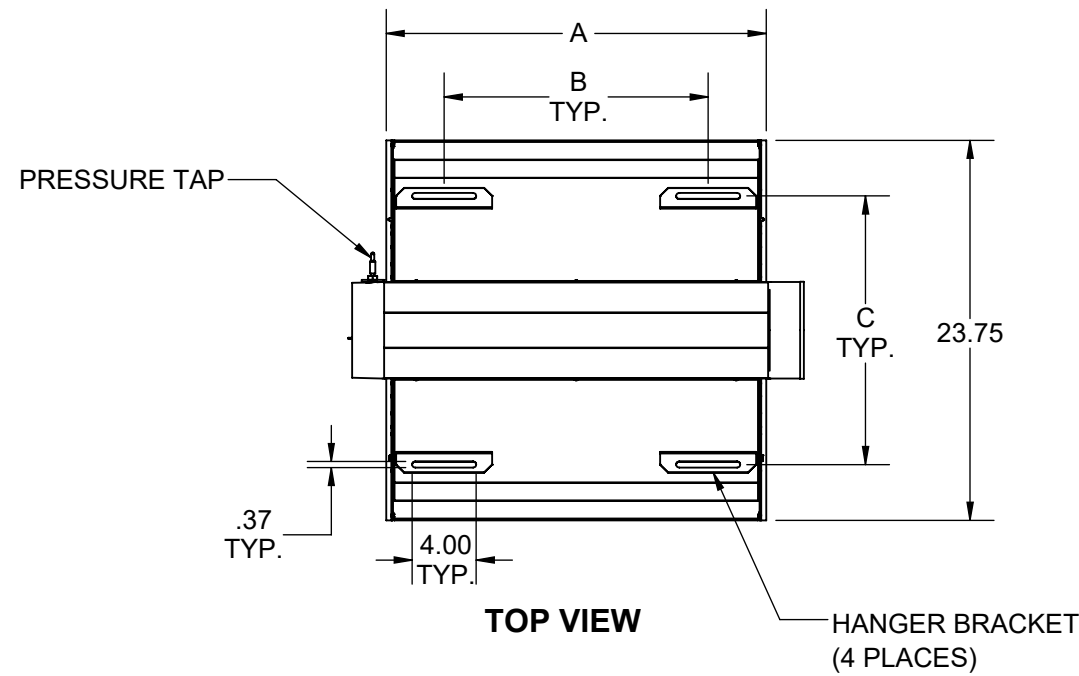
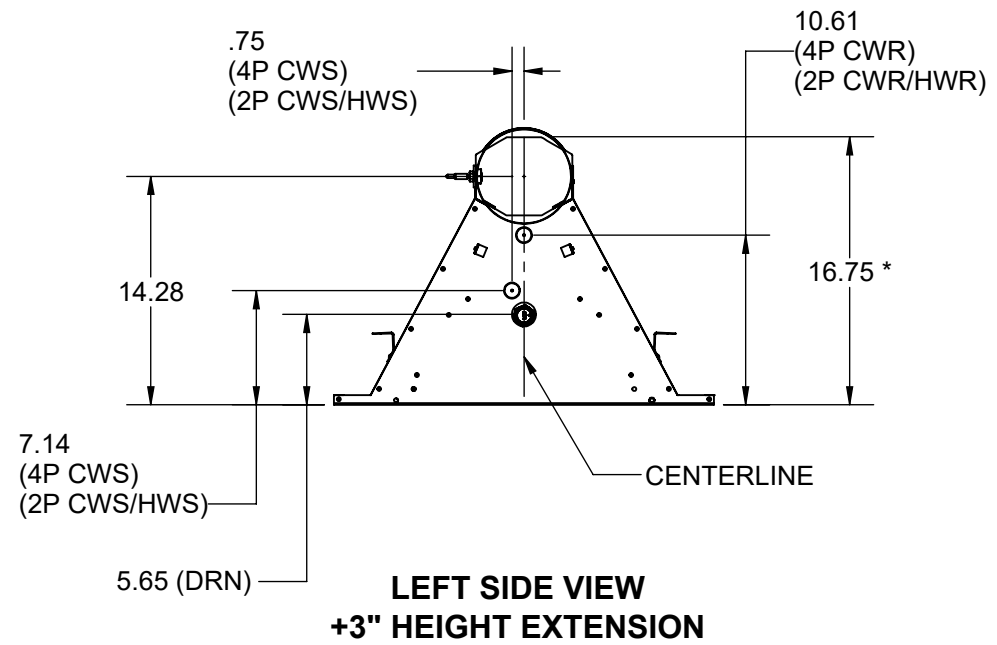


**SIDE PRIMARY AIR, 2 WAY
LEFT HAND COIL CONNECTIONS**

UNIT LENGTH	A	B	C (STD)	C (+3")	D
2'	23.75	16.50			28
4'	47.75	40.50	16.78	17.93	52
6'	71.75	64.50			76

PROPRIETARY AND CONFIDENTIAL
THE INFORMATION CONTAINED IN THIS DRAWING IS THE SOLE PROPERTY OF RITTLING. ANY REPRODUCTION IN PART OR AS A WHOLE WITHOUT THE WRITTEN PERMISSION OF RITTLING IS PROHIBITED.

		BUFFALO, NEW YORK	
TITLE :	AIB - SIDE PRIMARY AIR, 2 WAY, LEFT COIL CONN.	DATE:	06/08/20
JOB NAME :		REVISION:	DWN BY: C JKE
DWG. NO. :	11D00034892A		SHEET 1 OF 2



**SIDE PRIMARY AIR, 2 WAY
RIGHT HAND COIL CONNECTIONS**

UNIT LENGTH	A	B	C (STD)	C (+3")	D
2'	23.75	16.50	16.78	17.93	28
4'	47.75	40.50			52
6'	71.75	64.50			76

* FOR 1/4" THICK INSULATION ADD 1/4" TO DIMENSION
FOR 1/2" THICK INSULATION ADD 1/2" TO DIMENSION

PROPRIETARY AND CONFIDENTIAL
THE INFORMATION CONTAINED IN THIS DRAWING IS THE SOLE PROPERTY OF RITTLING. ANY REPRODUCTION IN PART OR AS A WHOLE WITHOUT THE WRITTEN PERMISSION OF RITTLING IS PROHIBITED.

NuClimate
BUFFALO, NEW YORK

TITLE :	AIB - SIDE PRIMARY AIR, 2 WAY, RIGHT COIL CONN.	DATE:	06/08/20
JOB NAME :		REVISION:	DWN BY: C JKE
DWG. NO. :	11D00034892A	SHEET 2 OF 2	