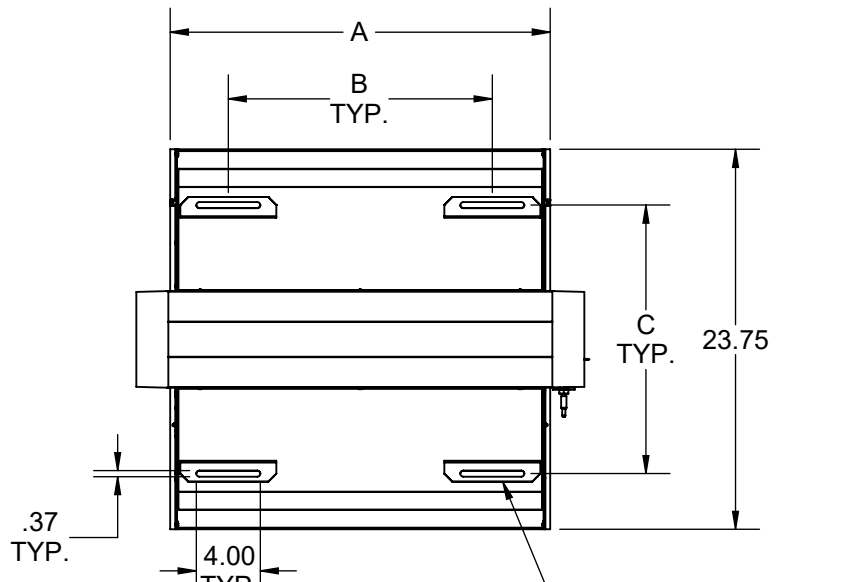
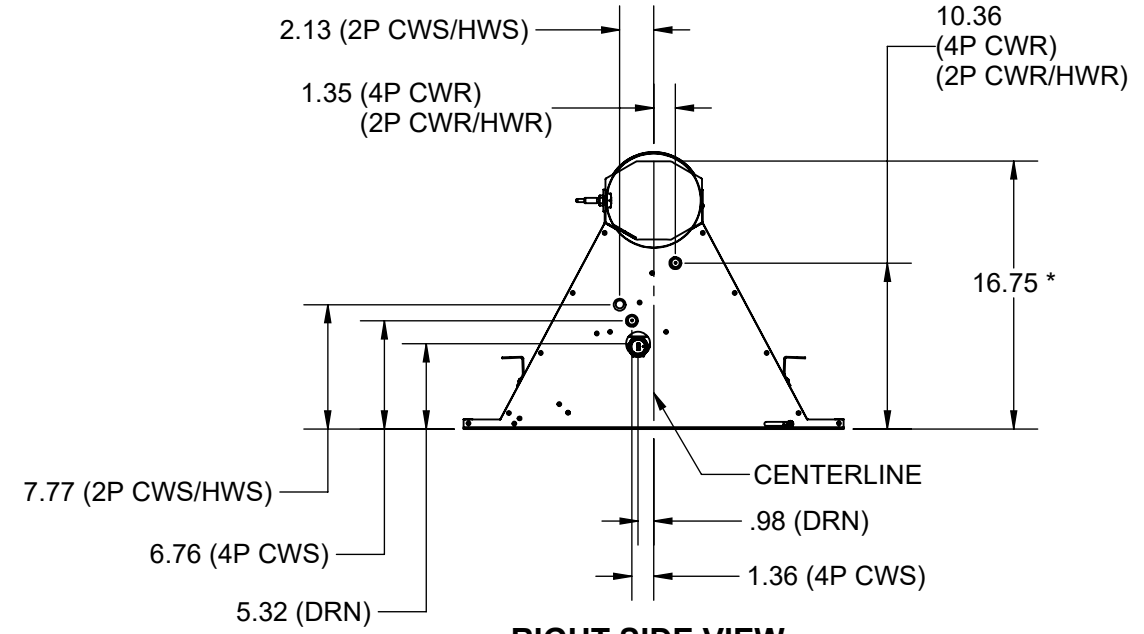


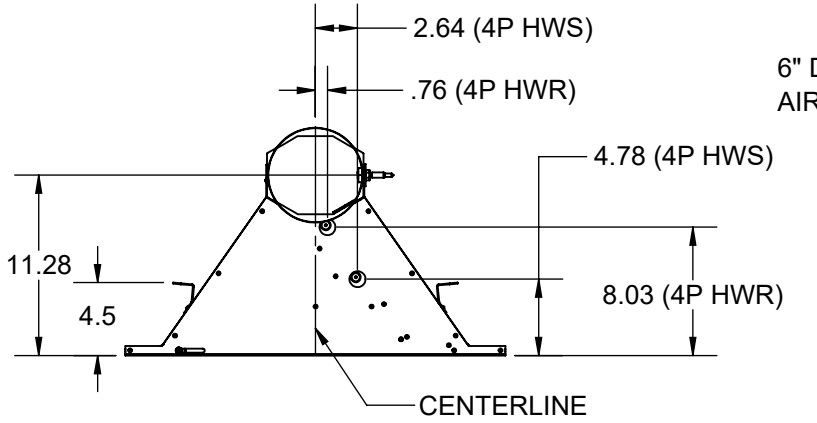
**LEFT SIDE VIEW
+3" HEIGHT EXTENSION**



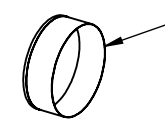
TOP VIEW



**RIGHT SIDE VIEW
+3" HEIGHT EXTENSION**

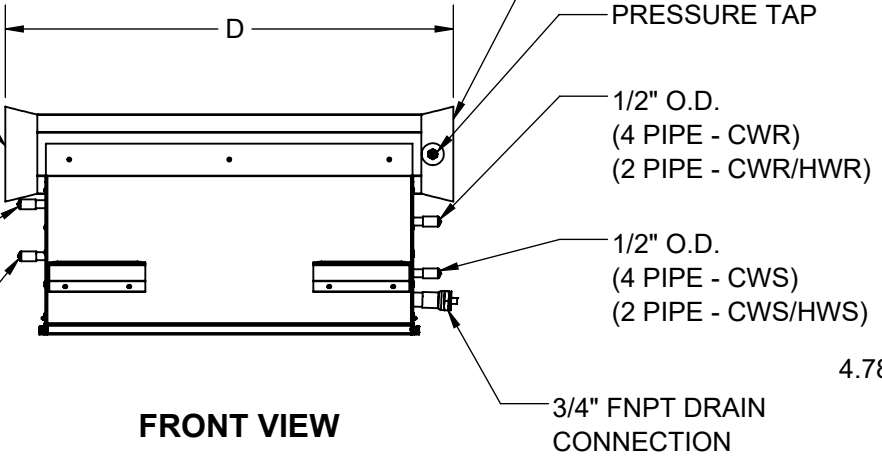


**LEFT SIDE VIEW
STANDARD HEIGHT**

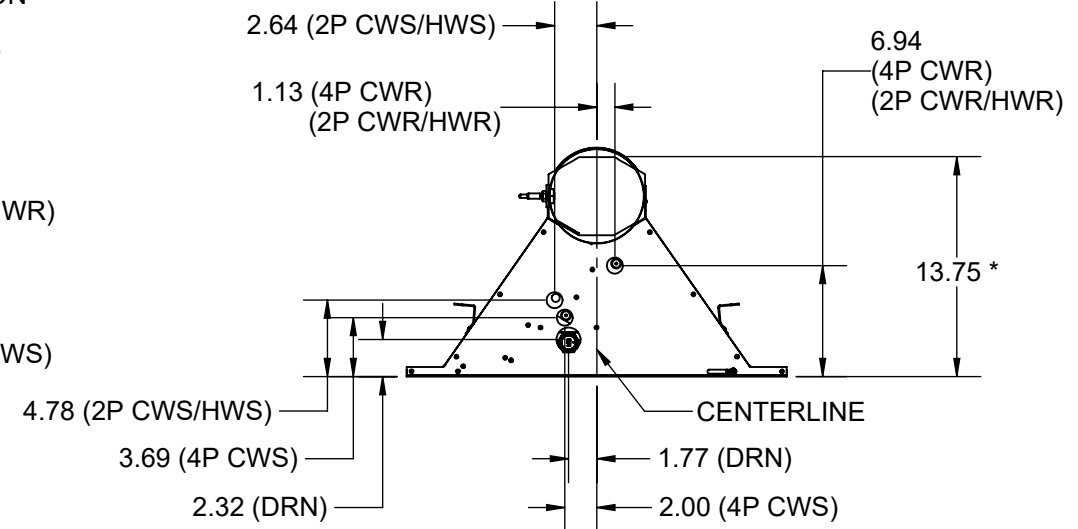


PRIMARY AIR CONNECTION CAP SUPPLIED FOR FIELD SEALING OF UNUSED CONNECTION

6" DIA. PRIMARY AIR CONNECTION
1/2" O.D. (4 PIPE - HWR)
1/2" O.D. (4 PIPE - HWS)



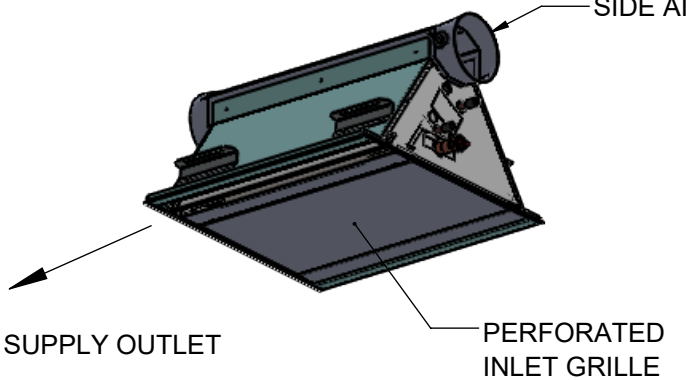
FRONT VIEW



**RIGHT SIDE VIEW
STANDARD HEIGHT**

* FOR 1/4" THICK INSULATION ADD 1/4" TO DIMENSION
FOR 1/2" THICK INSULATION ADD 1/2" TO DIMENSION

**SIDE PRIMARY AIR, 1 WAY
LEFT HAND COIL CONNECTIONS**

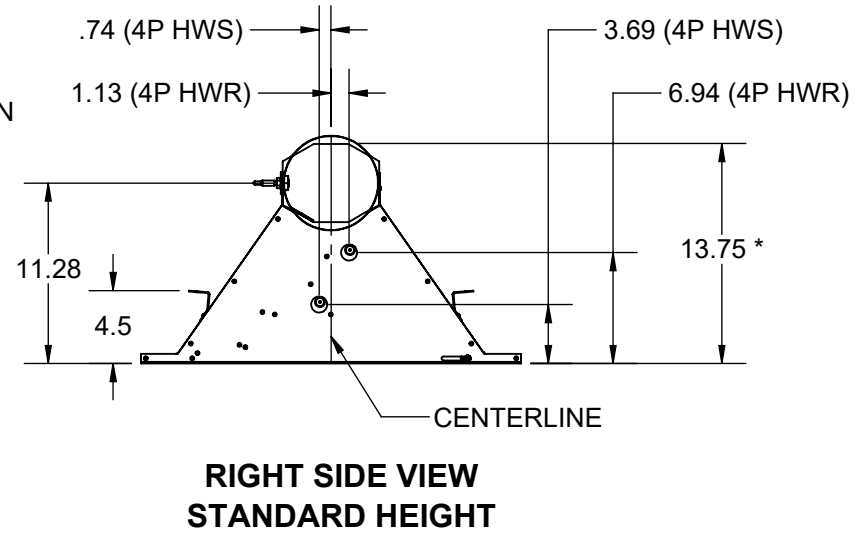
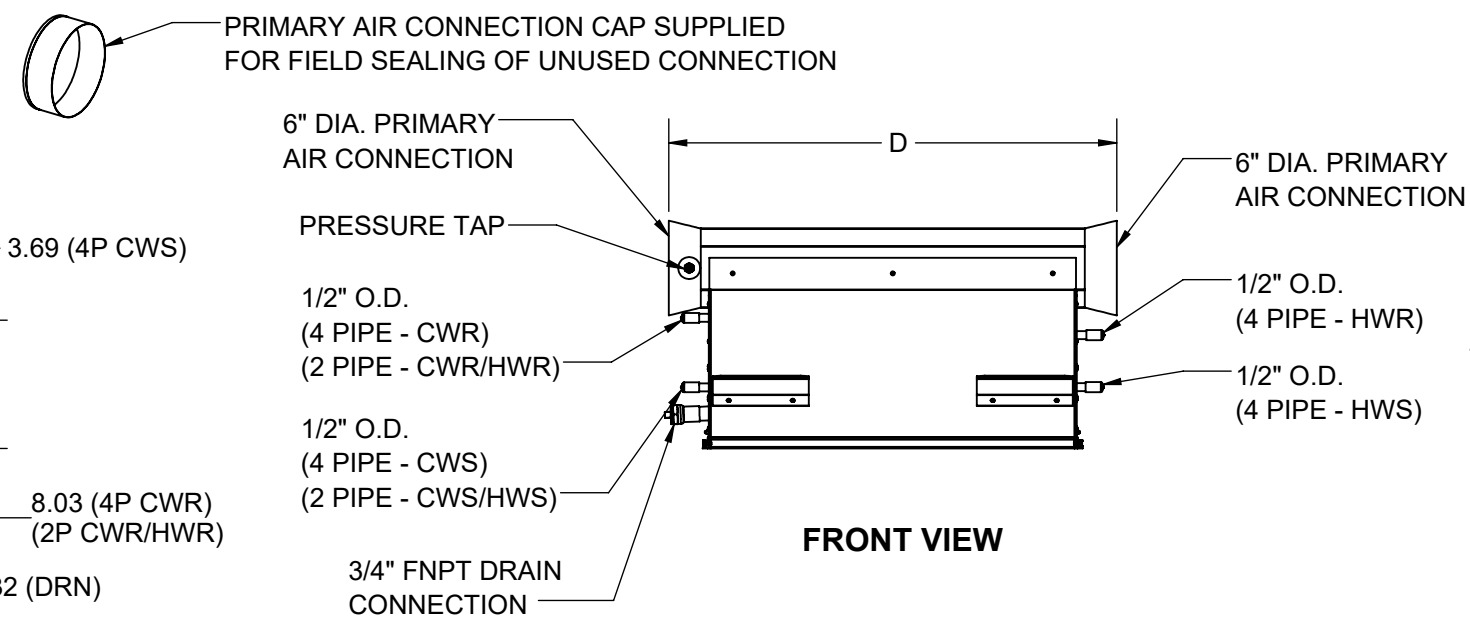
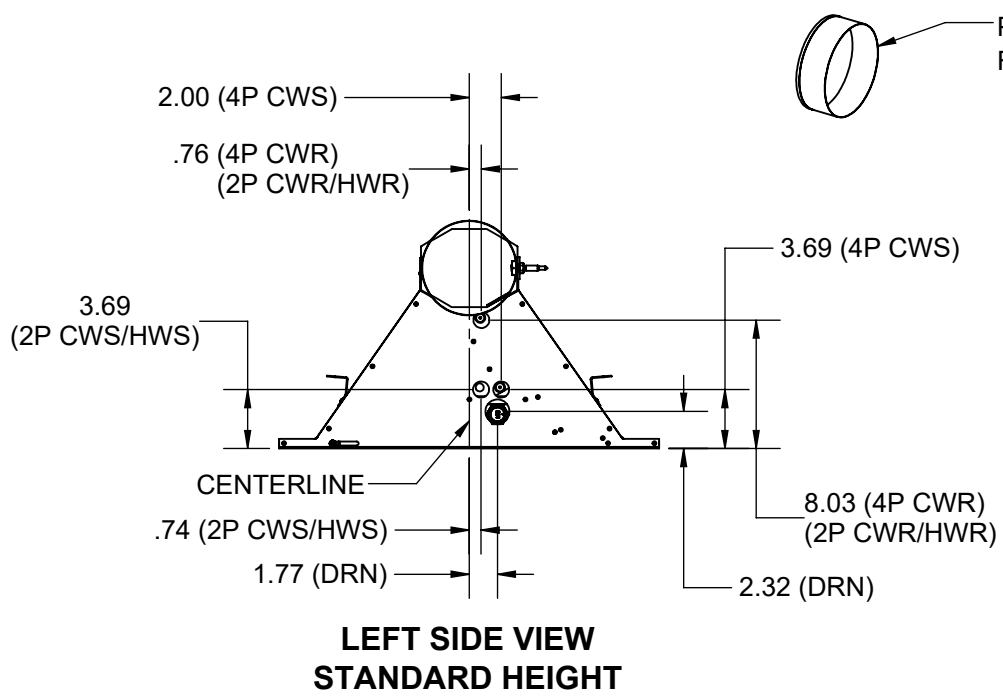
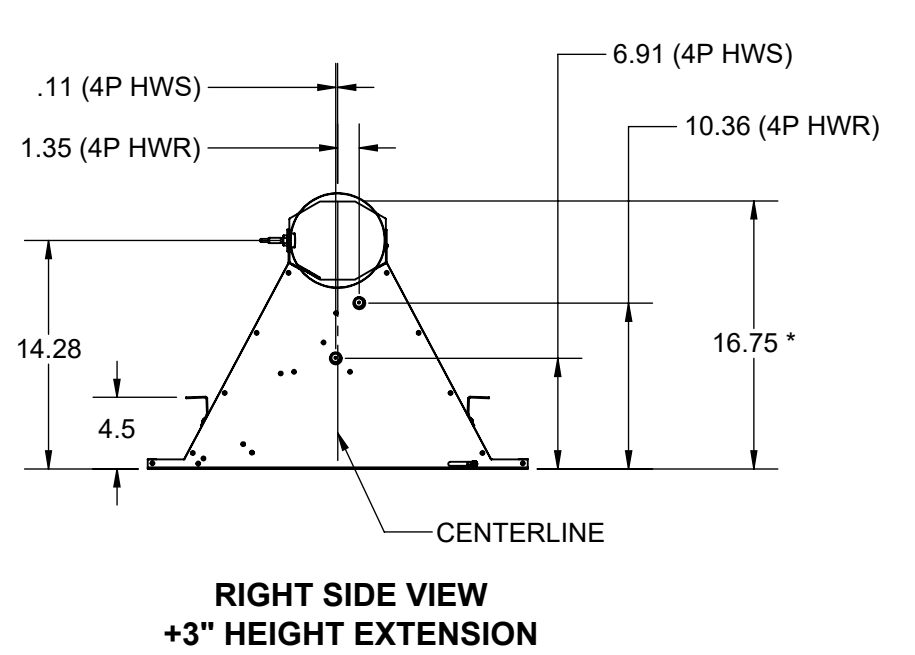
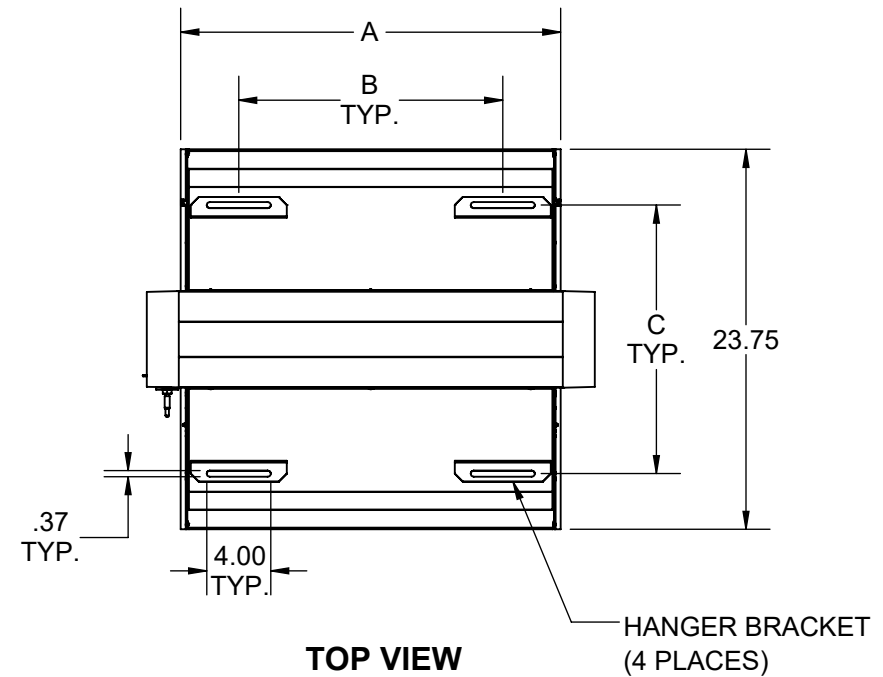
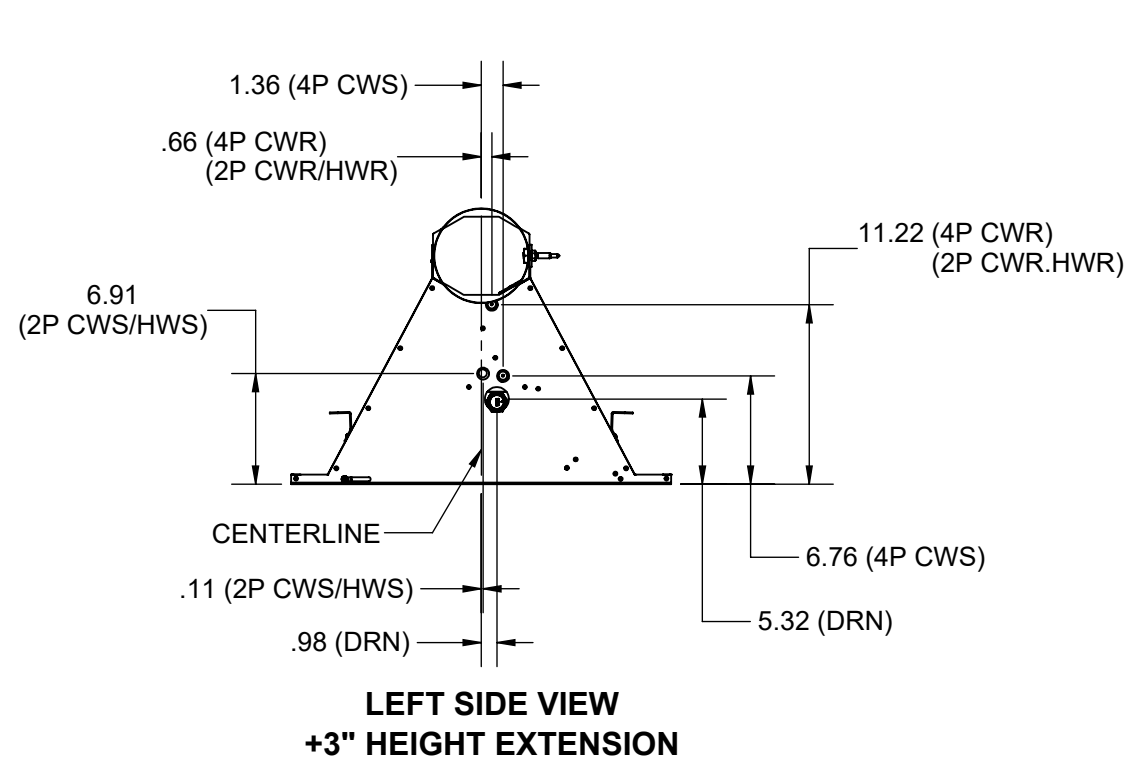


UNIT LENGTH	A	B	C (STD)	C (+3")	D
2'	23.75	16.50			28
4'	47.75	40.50	16.78	17.93	52
6'	71.75	64.50			76

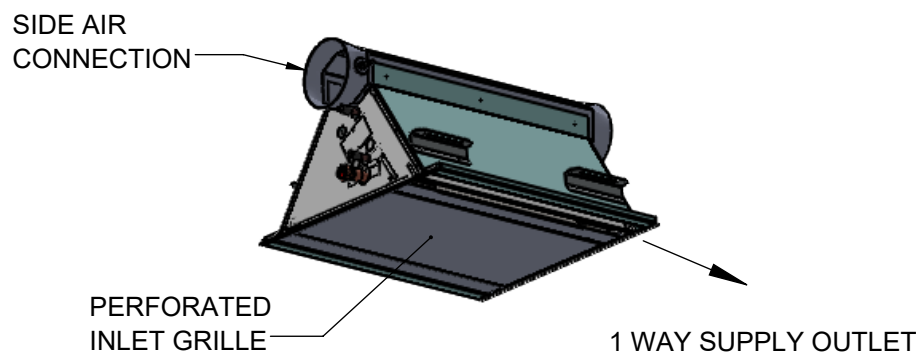
PROPRIETARY AND CONFIDENTIAL
THE INFORMATION CONTAINED IN THIS DRAWING IS THE SOLE PROPERTY OF RITTLING. ANY REPRODUCTION IN PART OR AS A WHOLE WITHOUT THE WRITTEN PERMISSION OF RITTLING IS PROHIBITED.

NuClimate
BUFFALO, NEW YORK

TITLE :	AIB - SIDE PRIMARY AIR, 1 WAY, LEFT COIL CONN.	DATE:	06/05/20
JOB NAME :		REVISION:	DWN BY: B JKE
DWG. NO. :	11D00034891A		SHEET 1 OF 2




* FOR 1/4" THICK INSULATION ADD 1/4" TO DIMENSION
FOR 1/2" THICK INSULATION ADD 1/2" TO DIMENSION



**SIDE PRIMARY AIR, 1 WAY
RIGHT HAND COIL CONNECTIONS**

UNIT LENGTH	A	B	C (STD)	C (+3")	D
2'	23.75	16.50	16.78	17.93	28
4'	47.75	40.50			52
6'	71.75	64.50			76

PROPRIETARY AND CONFIDENTIAL
THE INFORMATION CONTAINED IN THIS DRAWING IS THE SOLE PROPERTY OF RITTLING. ANY REPRODUCTION IN PART OR AS A WHOLE WITHOUT THE WRITTEN PERMISSION OF RITTLING IS PROHIBITED.

 BUFFALO, NEW YORK

TITLE :	AIB - SIDE PRIMARY AIR, 1 WAY, RIGHT COIL CONN.	DATE:	06/05/20
JOB NAME :		REVISION:	DWN BY: B JKE
DWG. NO. :	11D00034891A		SHEET 2 OF 2