

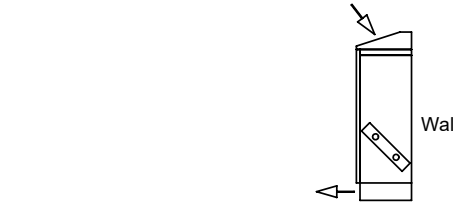
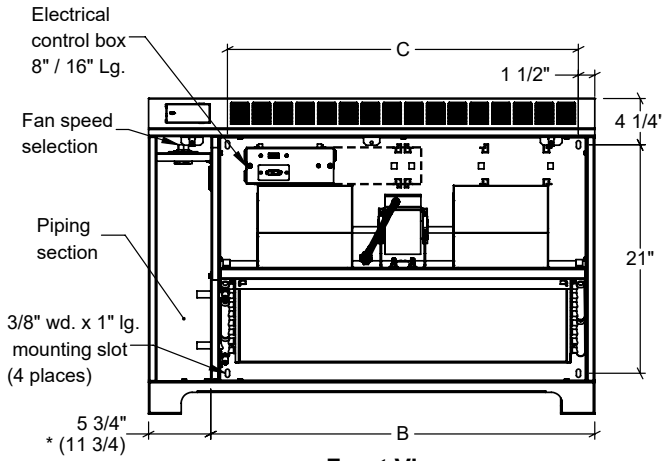
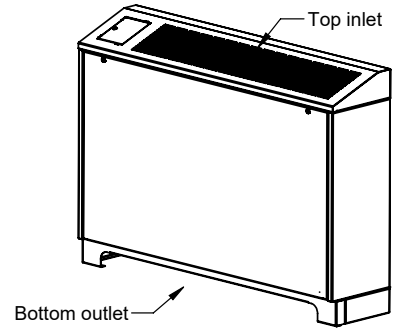
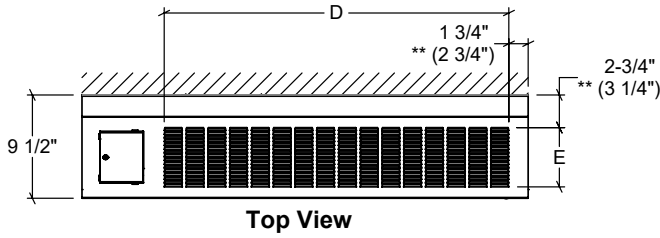
Rittling Cabinet Unit Heater

Submittal Data

Model: RFSI-240

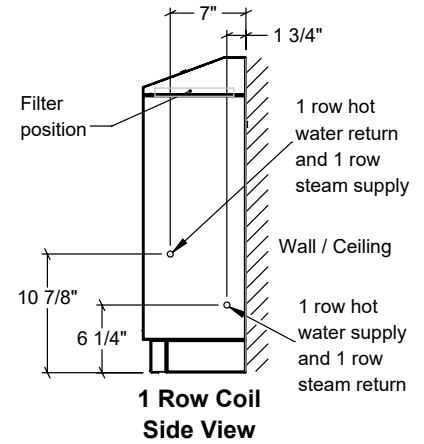
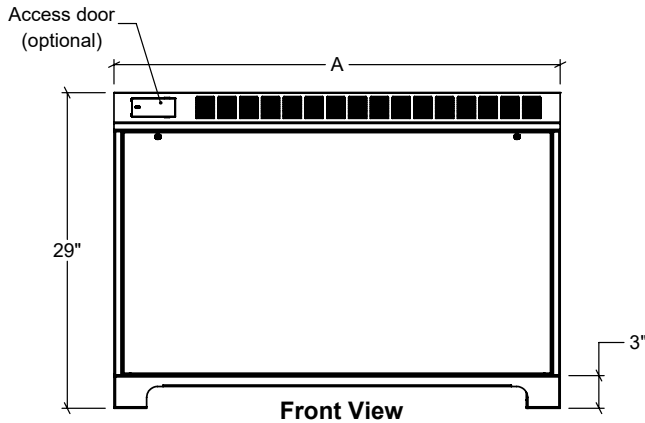


Dimensions and Data

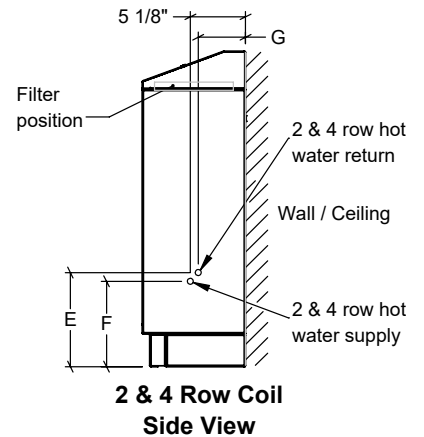


| Unit size | A | | B | C | Louvers | | ** Bargrille | |
|-----------|------|----------|--------|--------|---------|---|--------------|---|
| | Std. | * 6" Ext | | | D | E | D | E |
| 02 | 29 | 35 | 23-1/4 | 20-1/4 | 20 | 6 | 18 | 5 |
| 03 | 35 | 41 | 29-1/4 | 26-1/4 | 26 | 6 | 24 | 5 |
| 04 | 41 | 47 | 35-1/4 | 32-1/4 | 32 | 6 | 30 | 5 |
| 06 | 53 | 59 | 47-1/4 | 44-1/4 | 44 | 6 | 42 | 5 |
| 08 | 59 | 64 | 53-1/4 | 50-1/4 | 50 | 6 | 48 | 5 |
| 10 | 67 | 73 | 61-1/4 | 58-1/4 | 58 | 6 | 56 | 5 |
| 12 | 77 | 83 | 71-1/4 | 68-1/4 | 68 | 6 | 66 | 5 |

* Optional end pocket extension



| Dimensional data | | | |
|------------------|-------|-------|-------|
| Coil | E | F | G |
| 2 Row | 8-5/8 | 7-7/8 | 4-3/8 |
| 4 Row | 8-3/8 | 6-1/8 | 3-1/4 |



Notes:

- 1, 2, and 4 row coil supply and return connections are 1/2" nominal (5/8" OD) on all sizes
- Inlet grille optional
- Unit shown with left hand piping connections
- Right hand piping connections available as an option
- Piping hand determined when facing the air outlet
- All listed dimensions are approximate and are subject to change without notice
- Modifications to the product specifications must be accepted by Zehnder at its base office
- See www.zehnder-rittling.com for any recent updates or changes