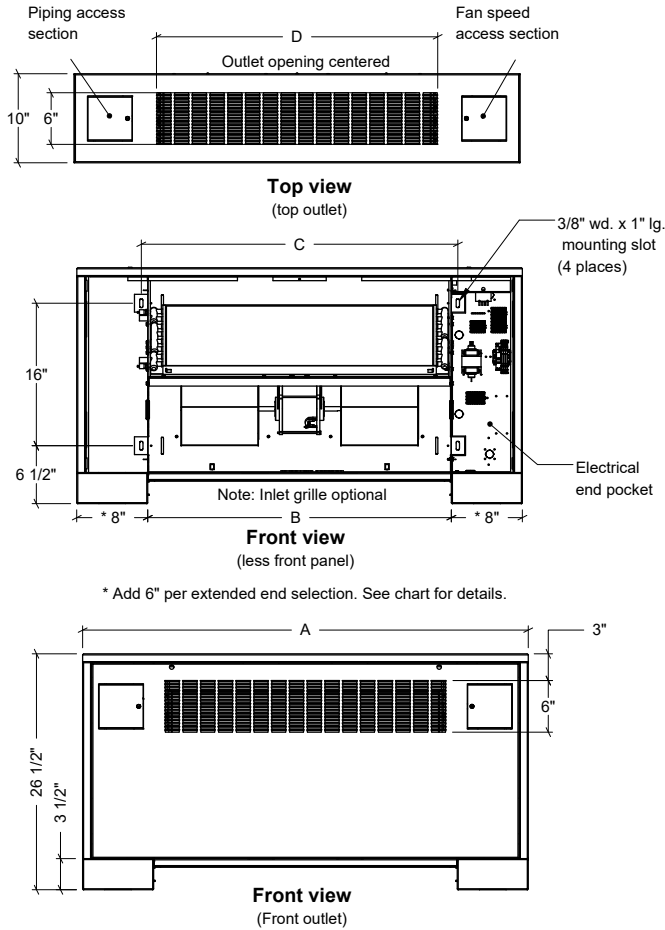


Rittling Cabinet Unit Heater

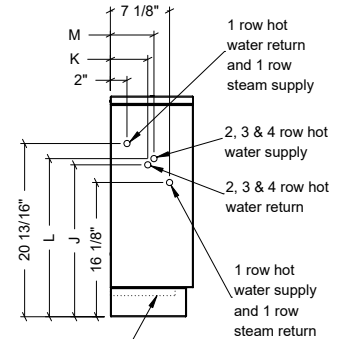
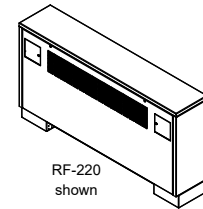
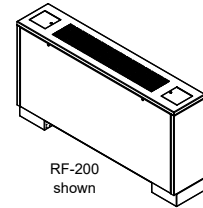
Submittal Data



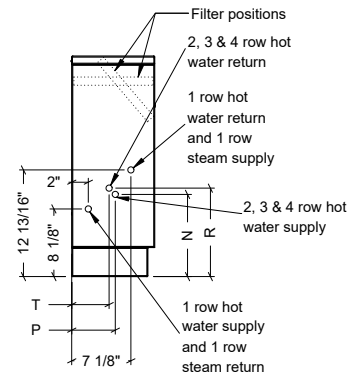
Dimensions and data



Models RF and RFI



Side view: Model RF



Side view: Model RFI

Dimensional data

Unit size	A			B	C	D
	Std.	6" Ext.	6" Ext. x2			
02	38-3/16	44-3/16	50-3/16	22-3/16	24	20
03	44-3/16	50-3/16	56-3/16	28-3/16	30	26
04	50-3/16	56-3/16	62-3/16	34-3/16	36	32
06	62-3/16	68-3/16	74-3/16	46-3/16	48	44
08	68-3/16	74-3/16	80-3/16	52-3/16	54	50
10	76-3/16	82-3/16	88-3/16	60-3/16	62	58
12	86-3/16	92-3/16	98-3/16	70-3/16	72	68

Coil	J	K	L	M	N	P	R	T
2 Row	18-1/4	4-7/16	19-1/16	5-3/16	9-7/8	5-3/16	10-11/16	4-7/16
3 Row	19-1/16	3-1/16	20-3/8	4-13/16	8-9/16	4-13/16	9-7/8	3-1/16
4 Row	19-1/16	3-1/16	20-3/8	4-13/16	8-9/16	4-13/16	9-7/8	3-1/16

Notes:

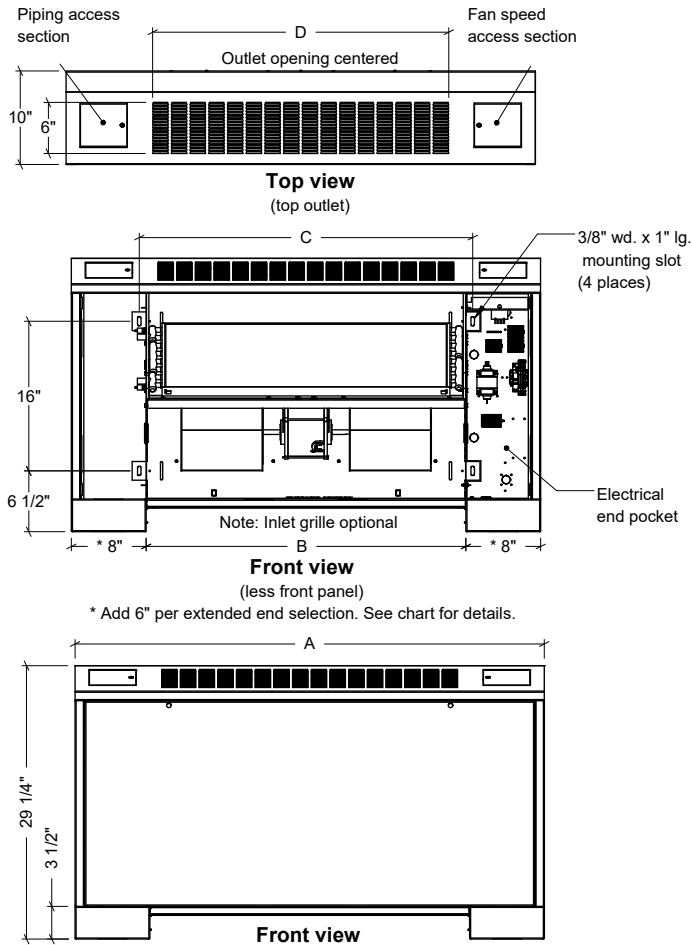
- 1 and 2 row coil supply and return 1/2" nominal (5/8" OD) all sizes
- Inlet grill optional
- Unit shown with left hand piping connections and right hand electrical connections as standard
- Right hand piping connections with left hand electrical connections available as an option
- Piping hand determined when facing the air outlet
- All listed dimensions are approximate and are subject to change without notice
- Modifications to the product specifications must be accepted by Zehnder at its base office
- See www.zehnder-rittling.com for any recent updates or changes

Rittling Cabinet Unit Heater

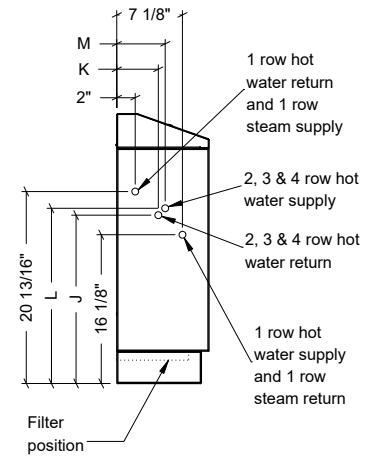
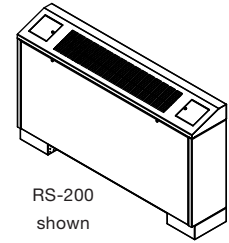
Submittal Data



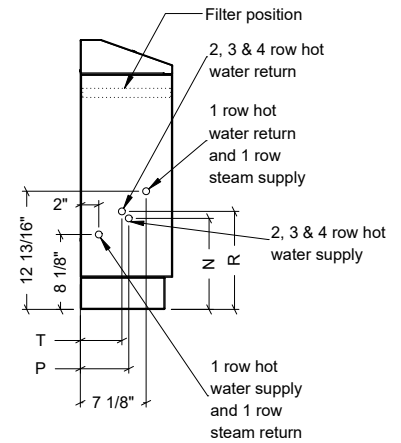
Dimensions and data



Models RS and RSI



Side view: Model RS



Side view: Model RSI

Dimensional data

Unit size	A			B	C	D
	Std.	6" Ext.	6" Ext. x2			
02	38-3/16	44-3/16	50-3/16	22-3/16	24	20
03	44-3/16	50-3/16	56-3/16	28-3/16	30	26
04	50-3/16	56-3/16	62-3/16	34-3/16	36	32
06	62-3/16	68-3/16	74-3/16	46-3/16	48	44
08	68-3/16	74-3/16	80-3/16	52-3/16	54	50
10	76-3/16	82-3/16	88-3/16	60-3/16	62	58
12	86-3/16	92-3/16	98-3/16	70-3/16	72	68

Coil	J	K	L	M	N	P	R	T
2 Row	18-1/4	4-7/16	19-1/16	5-3/16	9-7/8	5-3/16	10-11/16	4-7/16
3 Row	19-1/16	3-1/16	20-3/8	4-13/16	8-9/16	4-13/16	9-7/8	3-1/16
4 Row	19-1/16	3-1/16	20-3/8	4-13/16	8-9/16	4-13/16	9-7/8	3-1/16

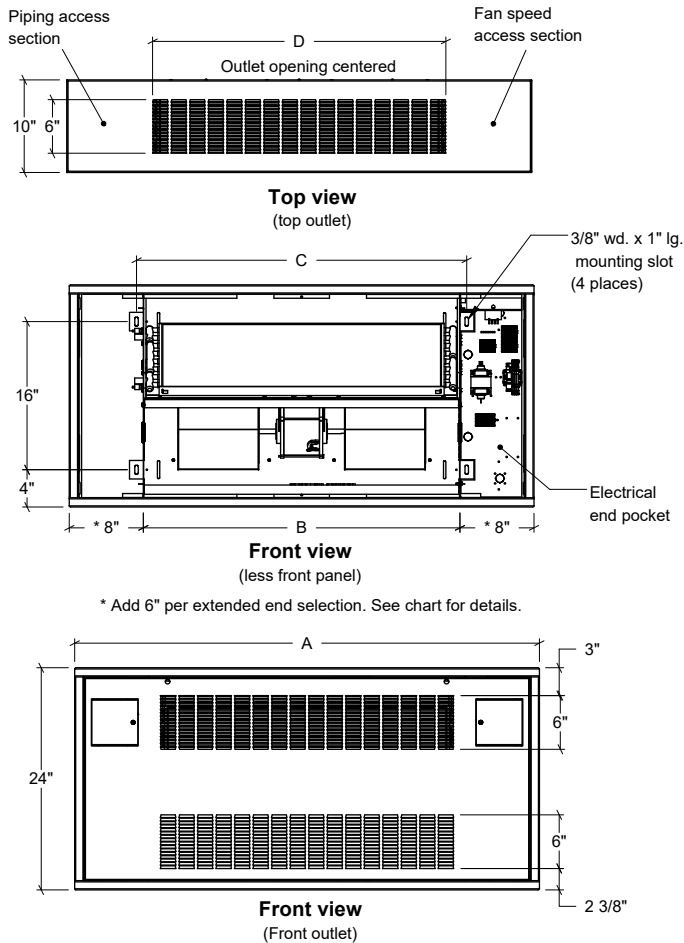
Notes:

- 1 and 2 row coil supply and return 1/2" nominal (5/8" OD) all sizes
- Inlet grill optional
- Unit shown with left hand piping connections and right hand electrical connections as standard
- Right hand piping connections with left hand electrical connections available as an option
- Piping hand determined when facing the air outlet
- All listed dimensions are approximate and are subject to change without notice
- Modifications to the product specifications must be accepted by Zehnder at its base office
- See www.zehnder-rittling.com for any recent updates or changes

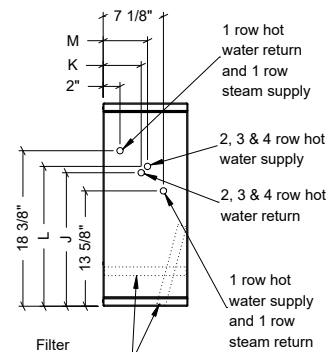
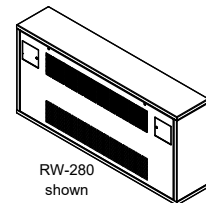
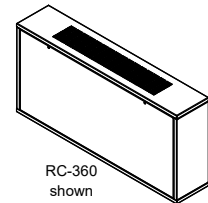
Rittling Cabinet Unit Heater Submittal Data



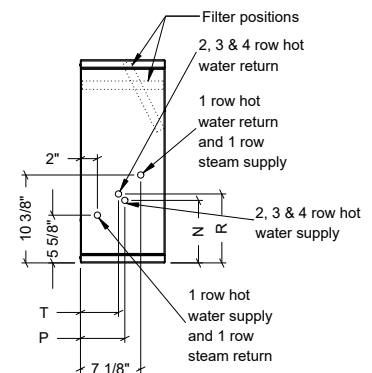
Dimensions and data



Model RW, RWI and RC



Side view: Model RW and RC



Side view: Model RWI

Dimensional data

Unit size	A			B	C	Louvers		Ducted opening	
	Std.	6" Ext.	6" Ext. x2			D	E	F	G
02	38-3/16	44-3/16	50-3/16	22-3/16	24	20	6	18-3/8	5-1/8
03	44-3/16	50-3/16	56-3/16	28-3/16	30	26	6	24-3/16	5-1/8
04	50-3/16	56-3/16	62-3/16	34-3/16	36	32	6	30-3/16	5-1/8
06	62-3/16	68-3/16	74-3/16	46-3/16	48	44	6	42-3/16	5-1/8
08	68-3/16	74-3/16	80-3/16	52-3/16	54	50	6	48-3/16	5-1/8
10	76-3/16	82-3/16	88-3/16	60-3/16	62	58	6	56-3/16	5-1/8
12	86-3/16	92-3/16	98-3/16	70-3/16	72	68	6	66-3/16	5-1/8

Coil	J	K	L	M	N	P	R	T
2 Row	15-3/4	4-7/16	16-9/16	5-3/16	7-7/16	5-3/16	8-1/4	4-7/16
3 Row	16-9/16	3-1/16	17-1/8	4-13/16	6-1/8	4-13/16	4-13/16	3-1/16
4 Row	16-9/16	3-1/16	17-1/8	4-13/16	6-1/8	4-13/16	4-13/16	3-1/16

Notes:

- 1 and 2 row coil supply and return 1/2" nominal (5/8" OD) all sizes
- Inlet grill optional
- Unit shown with left hand piping connections and right hand electrical connections as standard
- Right hand piping connections with left hand electrical connections available as an option
- Piping hand determined when facing the air outlet
- All listed dimensions are approximate and are subject to change without notice
- Modifications to the product specifications must be accepted by Zehnder at its base office
- See www.zehnder-rittling.com for any recent updates or changes

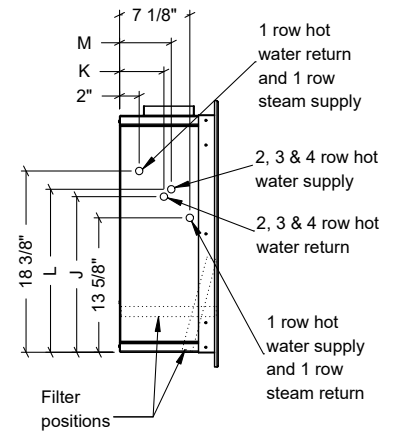
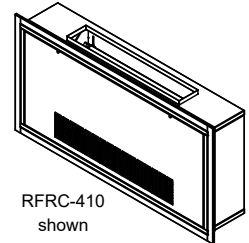
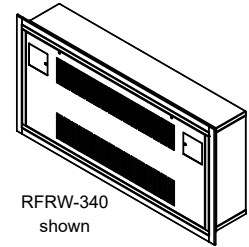
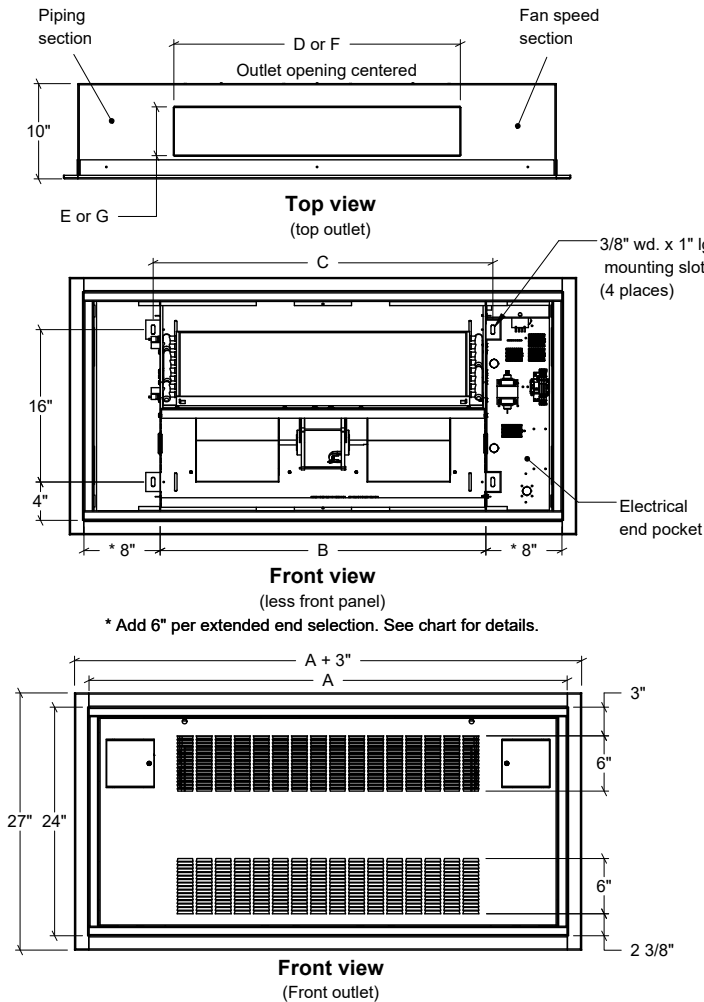
Rittling Cabinet Unit Heater

Submittal Data



Dimensions and data

Models RRW, RFRW, RRC, RFRC, RRWI & RFRWI



Side view: Model RRW, RFRW, RRC and RFRC

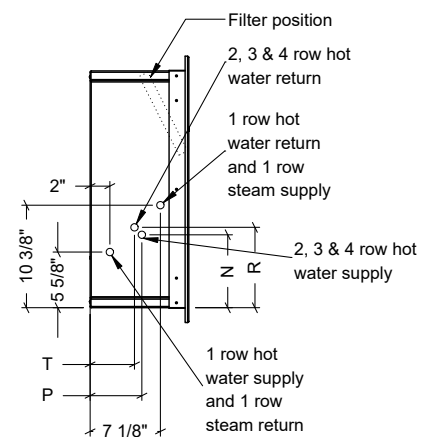
Dimensional data

Unit size	A			B	C	Louvers		Duct opening		H		
	Std.	6" Ext.	6" Ext. x2			D	E	F	G	Std.	6" Ext.	6" Ext. x2
02	38-3/16	44-3/16	50-3/16	22-3/16	24	20	6	18-3/8	5-1/8	41-3/16	47-3/16	53-3/16
03	44-3/16	50-3/16	56-3/16	28-3/16	30	26	6	24-3/16	5-1/8	47-3/16	53-3/16	59-3/16
04	50-3/16	56-3/16	62-3/16	34-3/16	36	32	6	30-3/16	5-1/8	53-3/16	59-3/16	65-3/16
06	62-3/16	68-3/16	74-3/16	46-3/16	48	44	6	42-3/16	5-1/8	65-3/16	71-3/16	77-3/16
08	68-3/16	74-3/16	80-3/16	52-3/16	54	50	6	48-3/16	5-1/8	71-3/16	77-3/16	83-3/16
10	76-3/16	82-3/16	88-3/16	60-3/16	62	58	6	56-3/16	5-1/8	79-3/16	85-3/16	91-3/16
12	86-3/16	92-3/16	98-3/16	70-3/16	72	68	6	66-3/16	5-1/8	89-3/16	95-3/16	101-3/16

Coil	J	K	L	M	N	P	R	T
2 Row	15-3/4	4-7/16	16-9/16	5-3/16	7-7/16	5-3/16	8-1/4	4-7/16
3 Row	16-9/16	3-1/16	17-1/8	4-13/16	6-1/8	4-13/16	4-13/16	3-1/16
4 Row	16-9/16	3-1/16	17-1/8	4-13/16	6-1/8	4-13/16	4-13/16	3-1/16

Notes:

- 1 and 2 row coil supply and return 1/2" nominal (5/8" OD) all sizes
- Unit shown with left hand piping connections and right hand electrical connections as standard
- Right hand piping connections with left hand electrical connections available as an option
- Piping hand determined when facing the air outlet
- All listed dimensions are approximate and are subject to change without notice
- Modifications to the product specifications must be accepted by Zehnder at its base office
- See www.zehnder-rittling.com for any recent updates or changes



Side view: Model RRWI and RFRWI