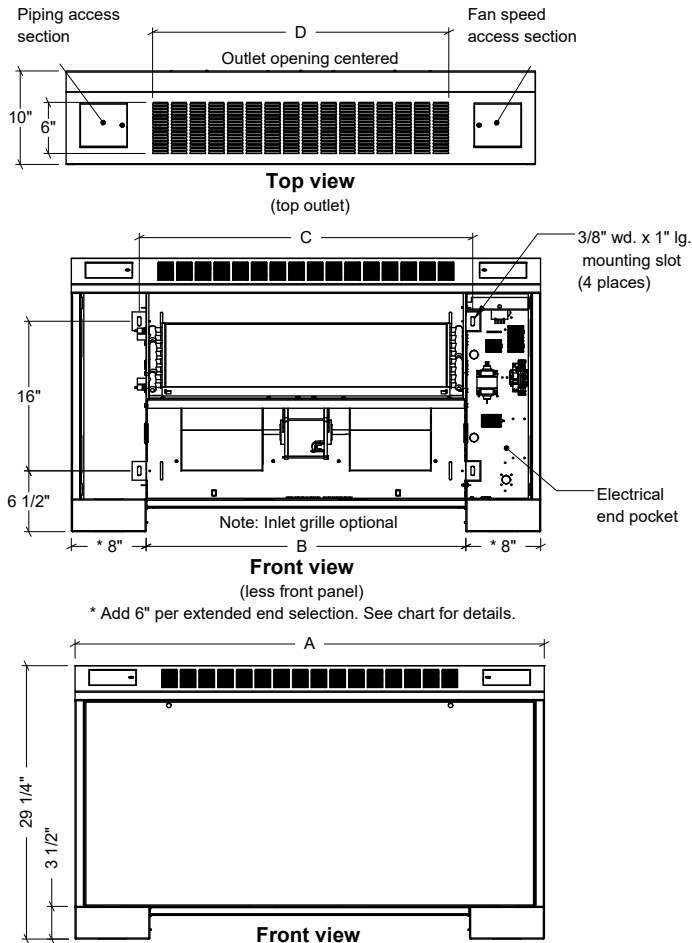


# Rittling Cabinet Unit Heater

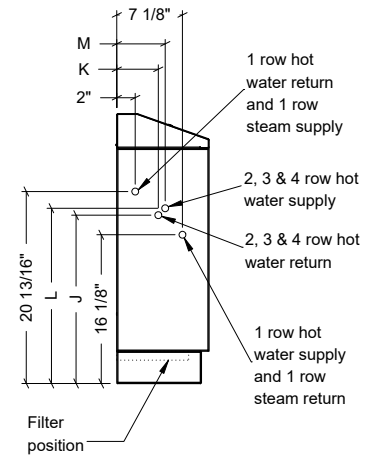
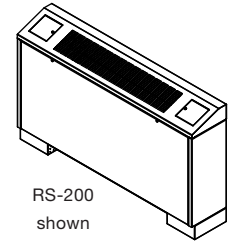
## Submittal Data



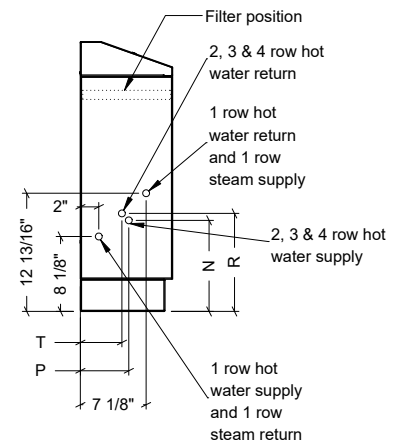
### Dimensions and data



### Models RS and RSI



Side view: Model RS



Side view: Model RSI

### Dimensional data

Unit size	A			B	C	D
	Std.	6" Ext.	6" Ext. x2			
02	38-3/16	44-3/16	50-3/16	22-3/16	24	20
03	44-3/16	50-3/16	56-3/16	28-3/16	30	26
04	50-3/16	56-3/16	62-3/16	34-3/16	36	32
06	62-3/16	68-3/16	74-3/16	46-3/16	48	44
08	68-3/16	74-3/16	80-3/16	52-3/16	54	50
10	76-3/16	82-3/16	88-3/16	60-3/16	62	58
12	86-3/16	92-3/16	98-3/16	70-3/16	72	68

Coil	J	K	L	M	N	P	R	T
2 Row	18-1/4	4-7/16	19-1/16	5-3/16	9-7/8	5-3/16	10-11/16	4-7/16
3 Row	19-1/16	3-1/16	20-3/8	4-13/16	8-9/16	4-13/16	9-7/8	3-1/16
4 Row	19-1/16	3-1/16	20-3/8	4-13/16	8-9/16	4-13/16	9-7/8	3-1/16

### Notes:

- 1 and 2 row coil supply and return 1/2" nominal (5/8" OD) all sizes
- Inlet grill optional
- Unit shown with left hand piping connections and right hand electrical connections as standard
- Right hand piping connections with left hand electrical connections available as an option
- Piping hand determined when facing the air outlet
- All listed dimensions are approximate and are subject to change without notice
- Modifications to the product specifications must be accepted by Zehnder at its base office
- See [www.zehnder-rittling.com](http://www.zehnder-rittling.com) for any recent updates or changes

Revised June 2018. Zehnder periodically makes changes to the design and/or specifications of its products. As a result, the design and specifications of each product at the time of order may be different than as described herein. Please contact Zehnder's Sales Support staff at 844-934-6337 for specific information on current design and specifications. Designs, specifications and other information contained herein are not express warranties, which are only as expressly set forth by Zehnder in its terms and conditions of sale. The latest version of this document is available at [www.zehnder-rittling.com](http://www.zehnder-rittling.com).