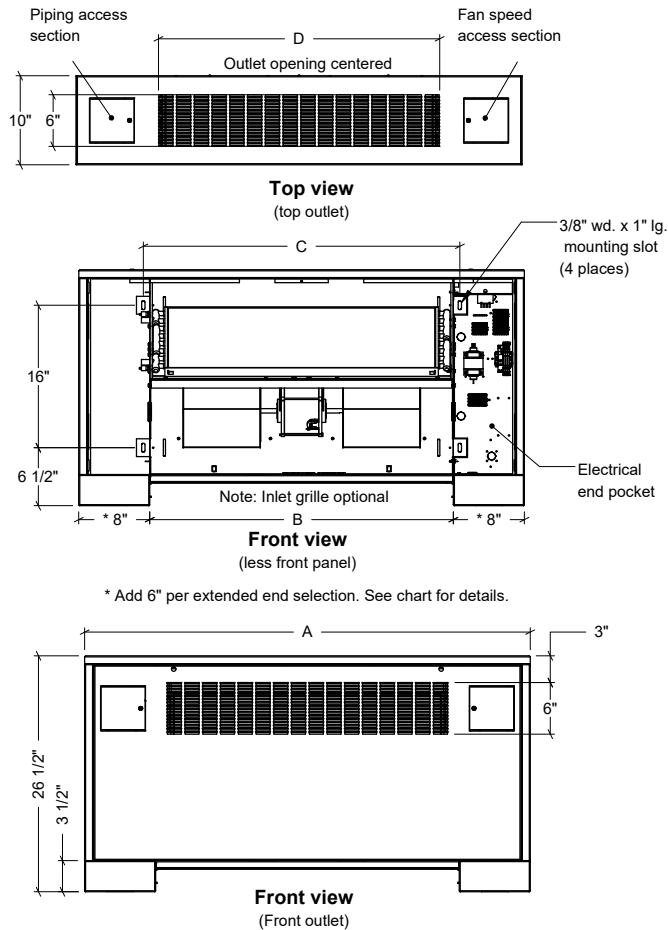


Rittling Cabinet Unit Heater

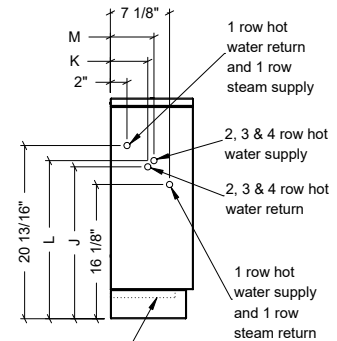
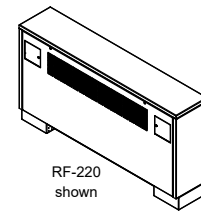
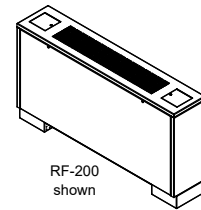
Submittal Data



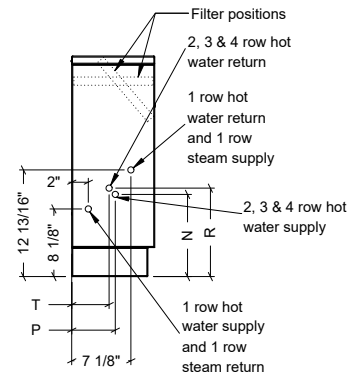
Dimensions and data



Models RF and RFI



Side view: Model RF



Side view: Model RFI

Dimensional data

Unit size	A			B	C	D
	Std.	6" Ext.	6" Ext. x2			
02	38-3/16	44-3/16	50-3/16	22-3/16	24	20
03	44-3/16	50-3/16	56-3/16	28-3/16	30	26
04	50-3/16	56-3/16	62-3/16	34-3/16	36	32
06	62-3/16	68-3/16	74-3/16	46-3/16	48	44
08	68-3/16	74-3/16	80-3/16	52-3/16	54	50
10	76-3/16	82-3/16	88-3/16	60-3/16	62	58
12	86-3/16	92-3/16	98-3/16	70-3/16	72	68

Coil	J	K	L	M	N	P	R	T
2 Row	18-1/4	4-7/16	19-1/16	5-3/16	9-7/8	5-3/16	10-11/16	4-7/16
3 Row	19-1/16	3-1/16	20-3/8	4-13/16	8-9/16	4-13/16	9-7/8	3-1/16
4 Row	19-1/16	3-1/16	20-3/8	4-13/16	8-9/16	4-13/16	9-7/8	3-1/16

Notes:

- 1 and 2 row coil supply and return 1/2" nominal (5/8" OD) all sizes
- Inlet grill optional
- Unit shown with left hand piping connections and right hand electrical connections as standard
- Right hand piping connections with left hand electrical connections available as an option
- Piping hand determined when facing the air outlet
- All listed dimensions are approximate and are subject to change without notice
- Modifications to the product specifications must be accepted by Zehnder at its base office
- See www.zehnder-rittling.com for any recent updates or changes