

Ritling Cabinet Convector Submittal Data

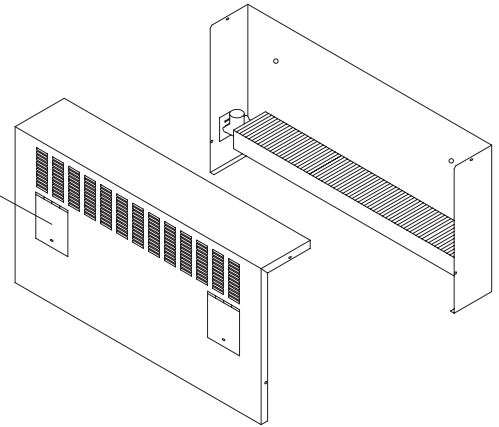
English, IP Units

Dimensions and data: Model WL

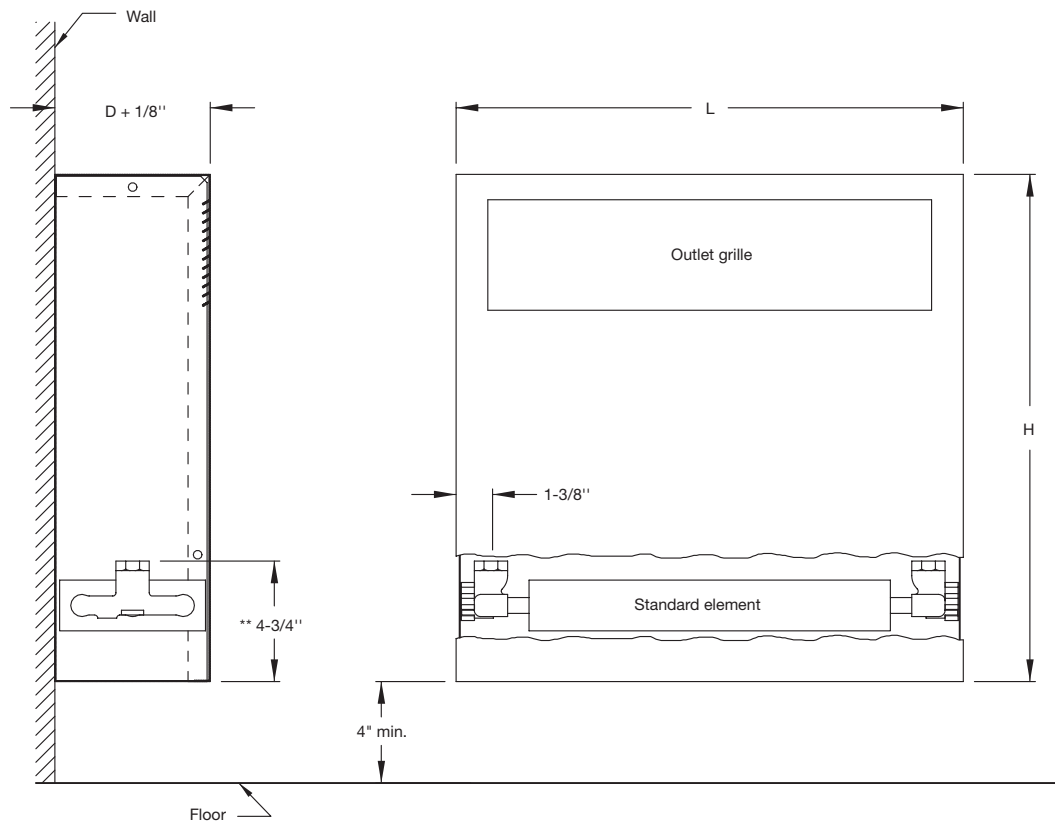
Wall hung

Nominal lengths (L)	Nominal heights (H)	Nominal depths (D)
24"	18"	4"
28"	20"	6"
36"	26"	8"
40"	32"	
48"		
52"		
60"		
64"		

Optional access doors shown



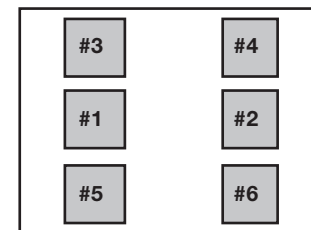
Any combination of length, height and depth is available.



WL Convector Access Door Location Availability

Unit Height	Unit Lengths	# of Doors Available	Available Locations	Door Size
Up to 20"	Less than 32"	1	3 or 4, 1 or 2	4"H x 5"W
Up to 20"	32" and longer	2	3, 4 or 1,2	4"H x 5"W
20" and over	Less than 32"	3	1, 2, 3 or 1, 2, 4	5"H x 5"W
20" and over	32" and longer	4	1, 2, 3, 4	5"H x 5"W

Standard Convector Access Door Locations



Note:

- Access doors not available in locations 5 and 6 with arched inlet.
- *Contact factory on heights less than 20"

- For convectors less than 28" long, end pockets are not offered as standard. Consult factory for availability.
- **The coil is adjustable 7/8" up in 7/16" increments.

Revised February 2017. Zehnder Ritling periodically makes changes to the design and/or specifications of its products. As a result, the design and specifications of each product at the time of order may be different than as described herein. Please contact Zehnder Ritling's Sales Support staff at 844-934-6337 for specific information on current design and specifications. Designs, specifications and other information contained herein are not express warranties, which are only as expressly set forth by Zehnder Ritling in its terms and conditions of sale. The latest version of this document is available at www.zehnder-ritling.com.