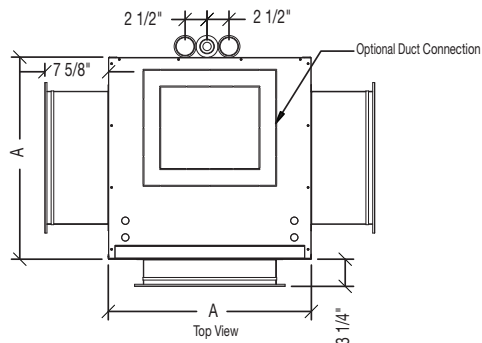


# Vertical Stack Water Source Heat Pumps

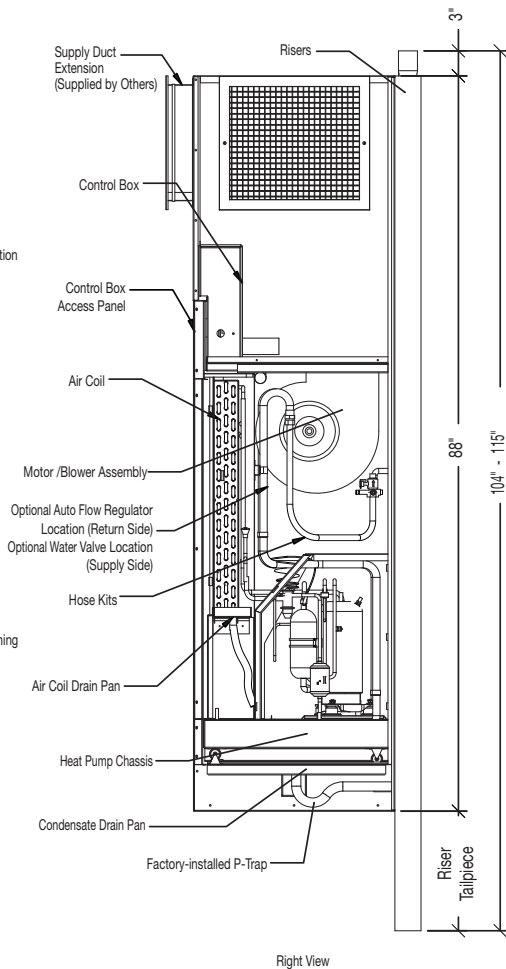
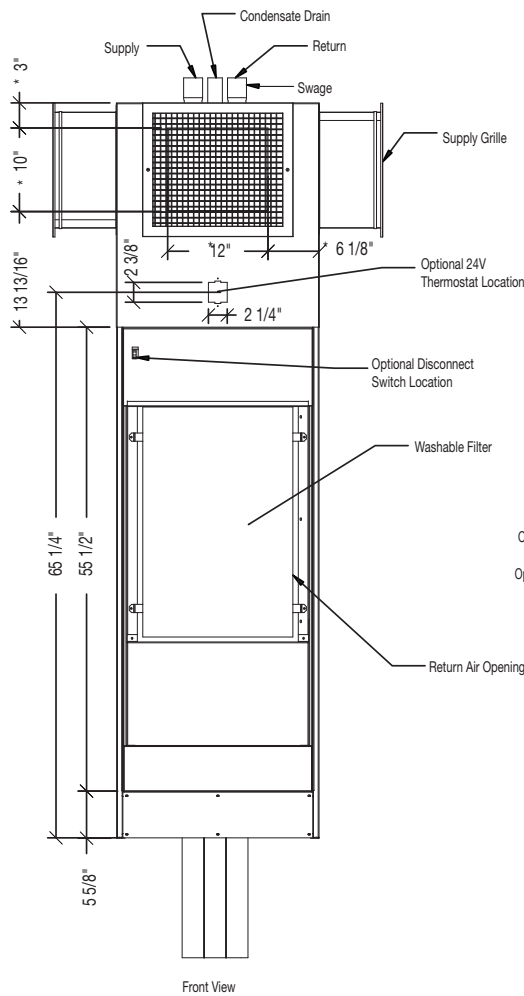
## Stand Alone Unit (VSH)



### Dimensional Data

Unit Dimensions: 88" Height

Model	A
09-18	18"
24-36	24-1/4"



Contractor \_\_\_\_\_

Architect \_\_\_\_\_

Engineer \_\_\_\_\_

Representative \_\_\_\_\_

Location \_\_\_\_\_

**zehnder** Rittling

BUFFALO, NY USA

TITLE

**ZR\_VSWSHP\_StandAlone\_VSH**

DRAWING NUMBER

April 16, 2012