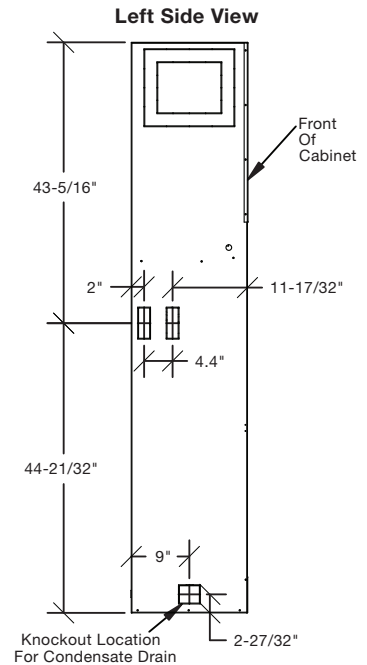
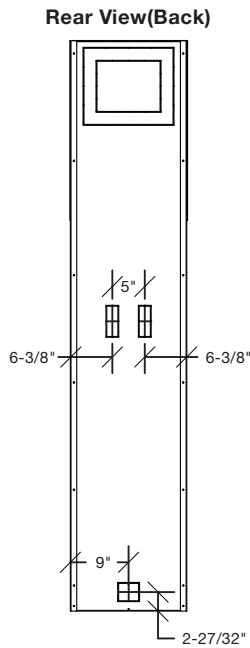
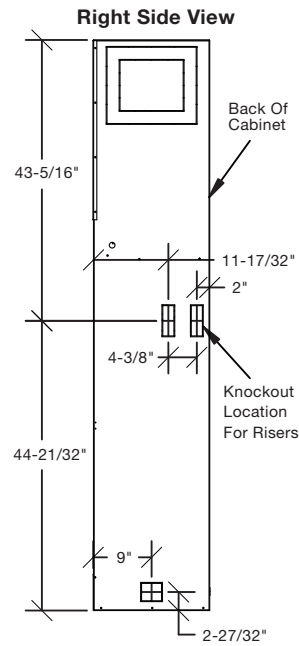


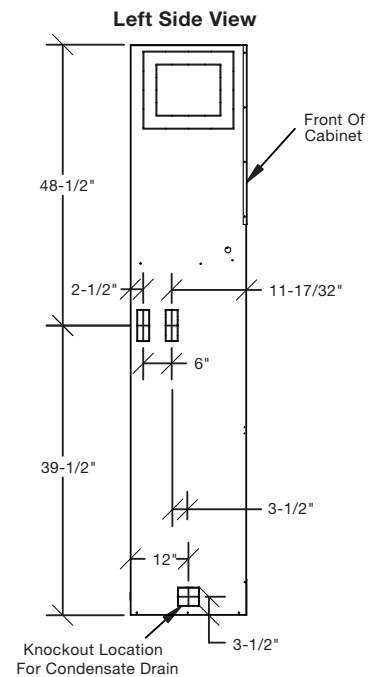
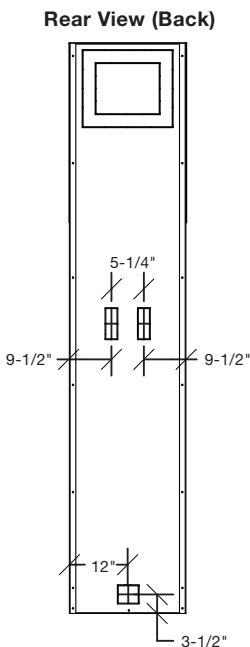
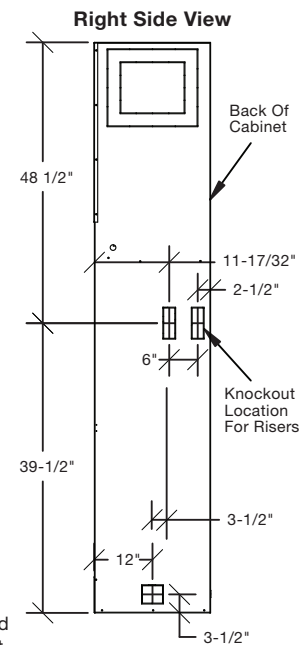
Vertical Stack Water Source Heat Pumps

Riser Slot Arrangements

Sizes 09-18



Sizes 24-36



Note:

- Right and left are determined by facing front of cabinet.

Contractor _____

Architect _____

Engineer _____

Representative _____

Location _____

zehnder Rittling

BUFFALO, NY USA

TITLE

ZR_VSWSHP_RiserSlots

DRAWING NUMBER

April 16, 2012