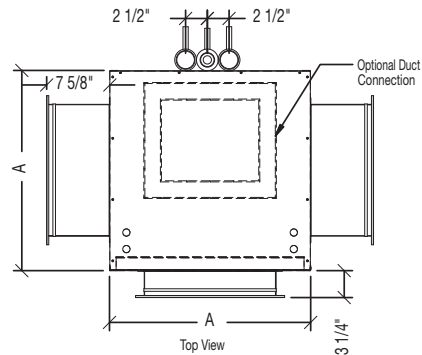


Vertical Stack Water Source Heat Pumps

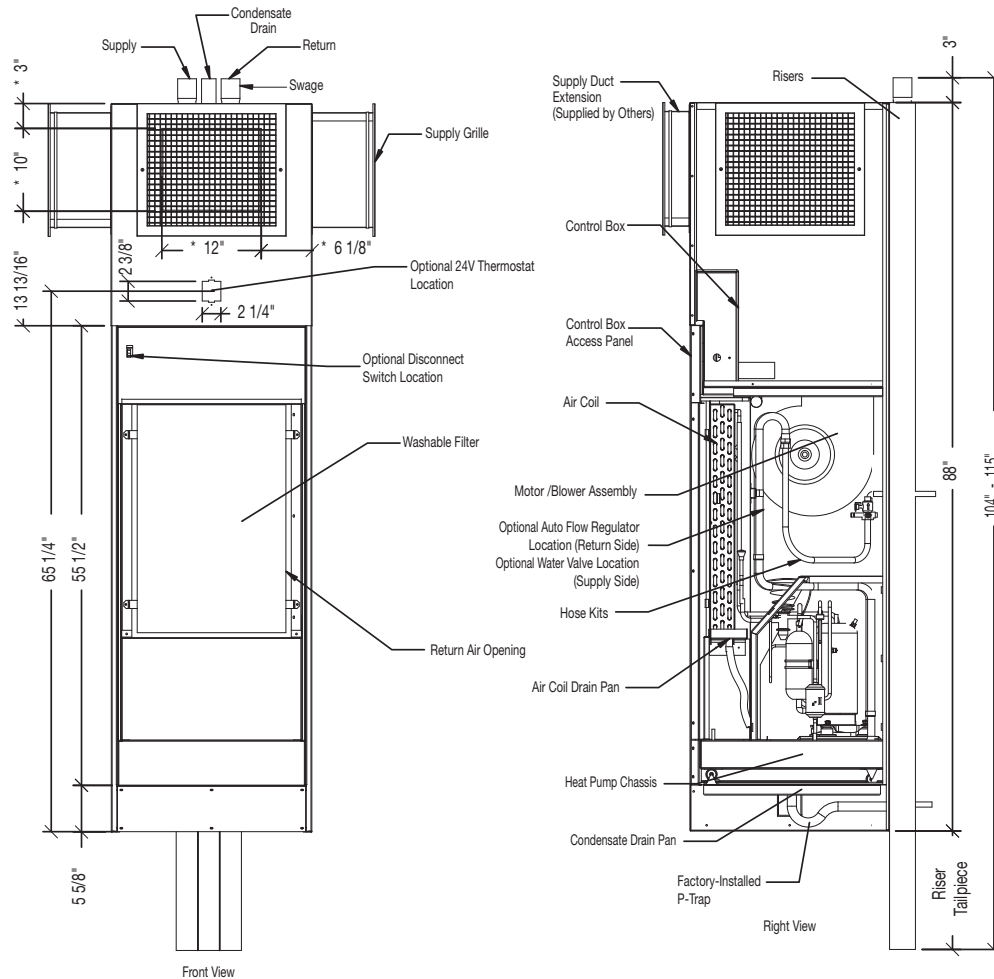
Master Unit (VSM)



Dimensional Data

Unit Dimensions: 88" Height

Model	A
09-18	18"
24-36	24-1/4"



Contractor _____

Architect _____

Engineer _____

Representative _____

Location _____

zehnder Rittling

BUFFALO, NY USA

TITLE

ZR_VSWSHP_Master_VSM

DRAWING NUMBER

April 16, 2012