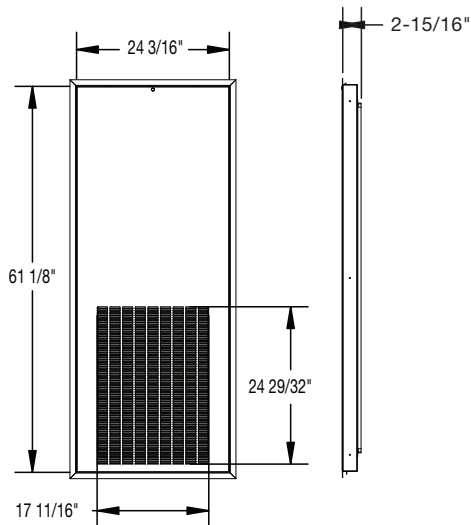
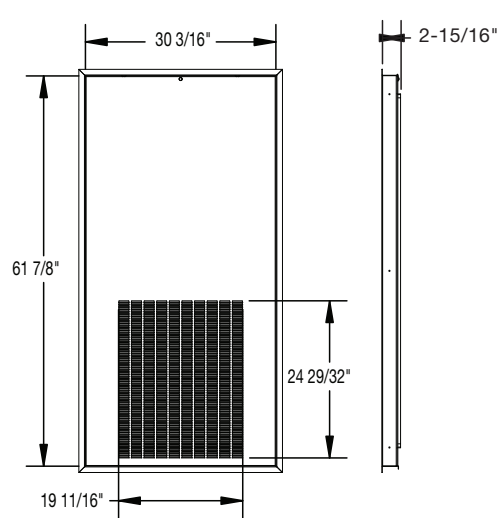


# Vertical Stack Water Source Heat Pumps

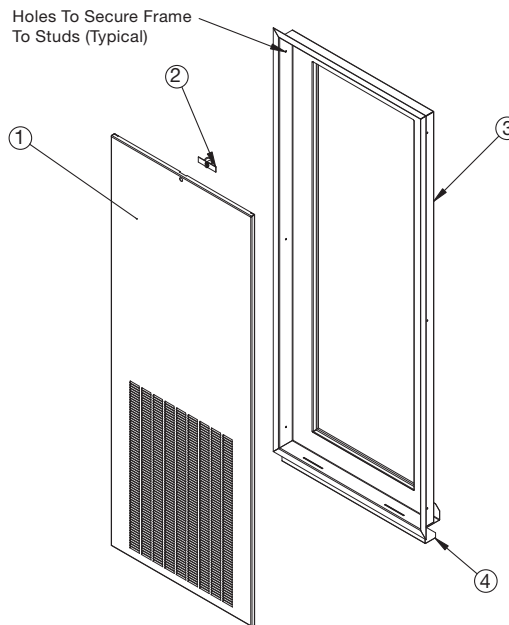
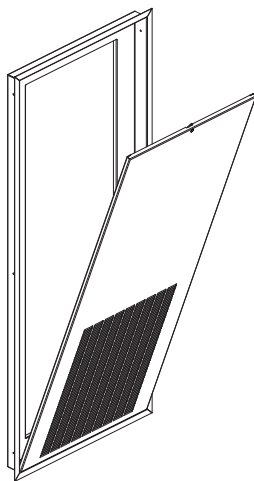
## Optional Removable Louvered Return Air Panel



Available for sizes 09-18



Available for sizes 24-36



### Allen Lock, Removable

Item Number	Description	Quantity
1	Return Panel	1
2	Quarter Turn Fastener	1
3	Frame	1
4	Frame Support	1

### Notes:

- Seal between the frame and cabinet with a weather serial gasket (provided with cabinet) to avoid air from being pulled in from the wall cavity.
- Do not attach frame to cabinet.
- Frame support shipped with cabinet.
- Door assemblies shipped separately.

Contractor \_\_\_\_\_

Architect \_\_\_\_\_

Engineer \_\_\_\_\_

Representative \_\_\_\_\_

Location \_\_\_\_\_

**zehnder**  
Rittling

BUFFALO, NY USA

TITLE

**ZR\_VSWSHP\_LouveredRetAirPanel**

DRAWING NUMBER

April 16, 2012