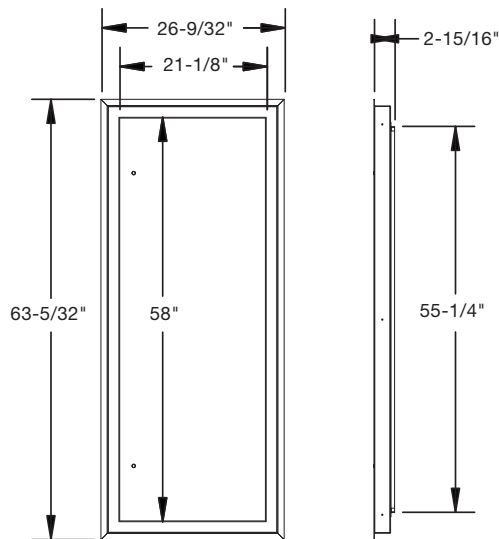
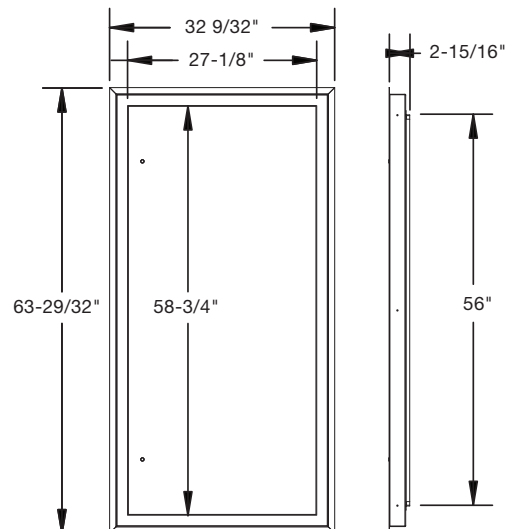


Vertical Stack Water Source Heat Pumps

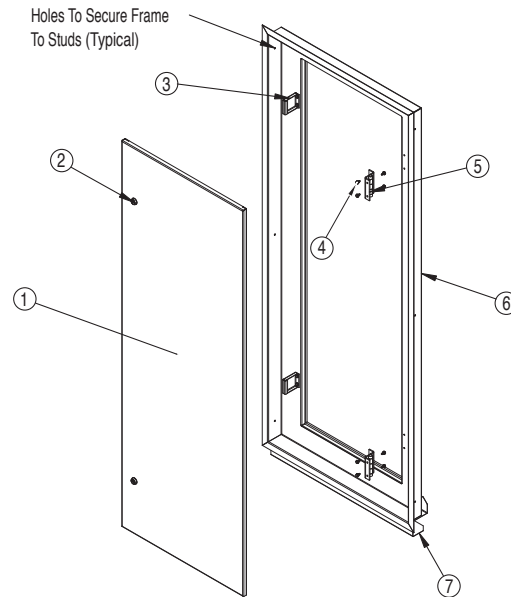
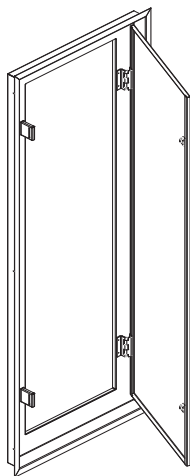
Optional Hinged Perimeter Return Air Panel



Available for Sizes 09-18



Available for Sizes 24-36



Notes:

- Seal between the frame and cabinet with a weather serial gasket (provided with cabinet) to avoid air from being pulled in from the wall cavity.
- Do not attach frame to cabinet.
- Frame support shipped with cabinet.
- Door assemblies shipped separately.

Key Lock or Allen Lock

Item Number	Description	Quantity
1	Return Panel	1
2	Quarter Turn Fastener or Key Lock	2
3	Door Stop	2
4	Screw	12
5	Hinge	2
6	Frame	1
7	Frame Support	1

Contractor _____

Architect _____

Engineer _____

Representative _____

Location _____

zehnder
Rittling

BUFFALO, NY USA

TITLE

ZR_VSWSHP_HingedReturnAirPanel

DRAWING NUMBER

April 16, 2012