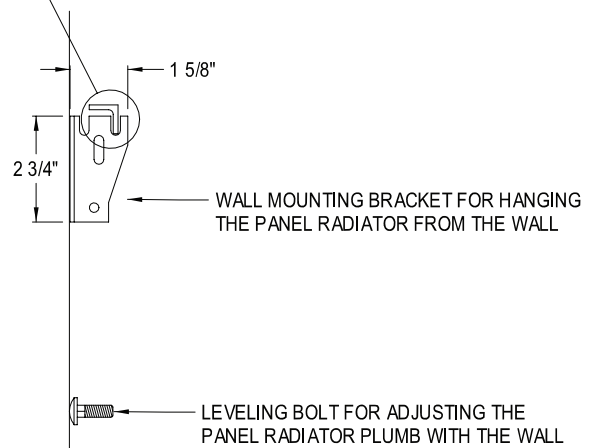
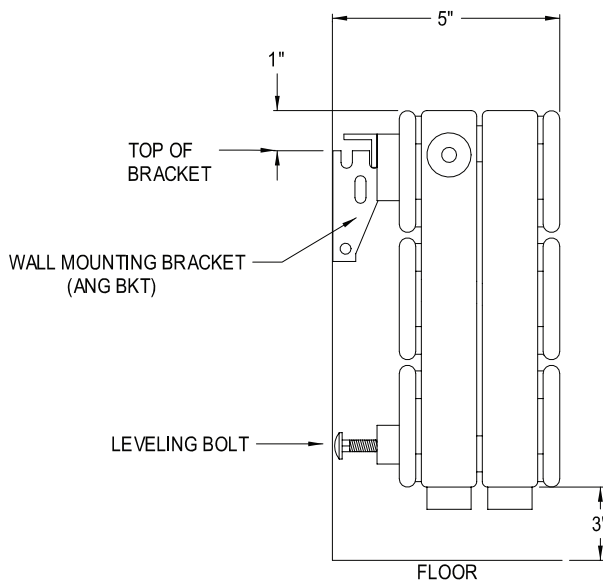
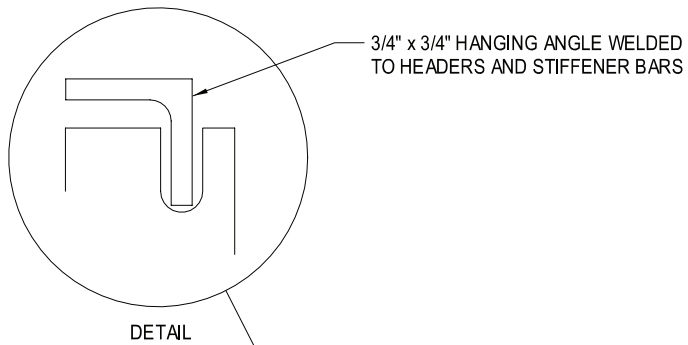
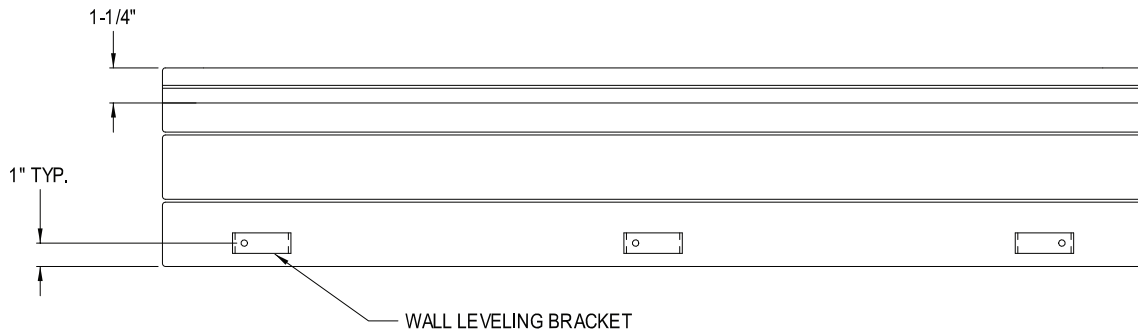


Rittling Steel Panel Radiator

PR2 & PR2F Wall Mount (Back View) Typical Bracket Installation



Contractor _____

Architect _____

Engineer _____

Representative _____

Location _____

zehnder Rittling

BUFFALO, NY USA

TITLE

ZR_PanRad_PR2_PR2F_WallMount

DRAWING NUMBER

April 1, 2012