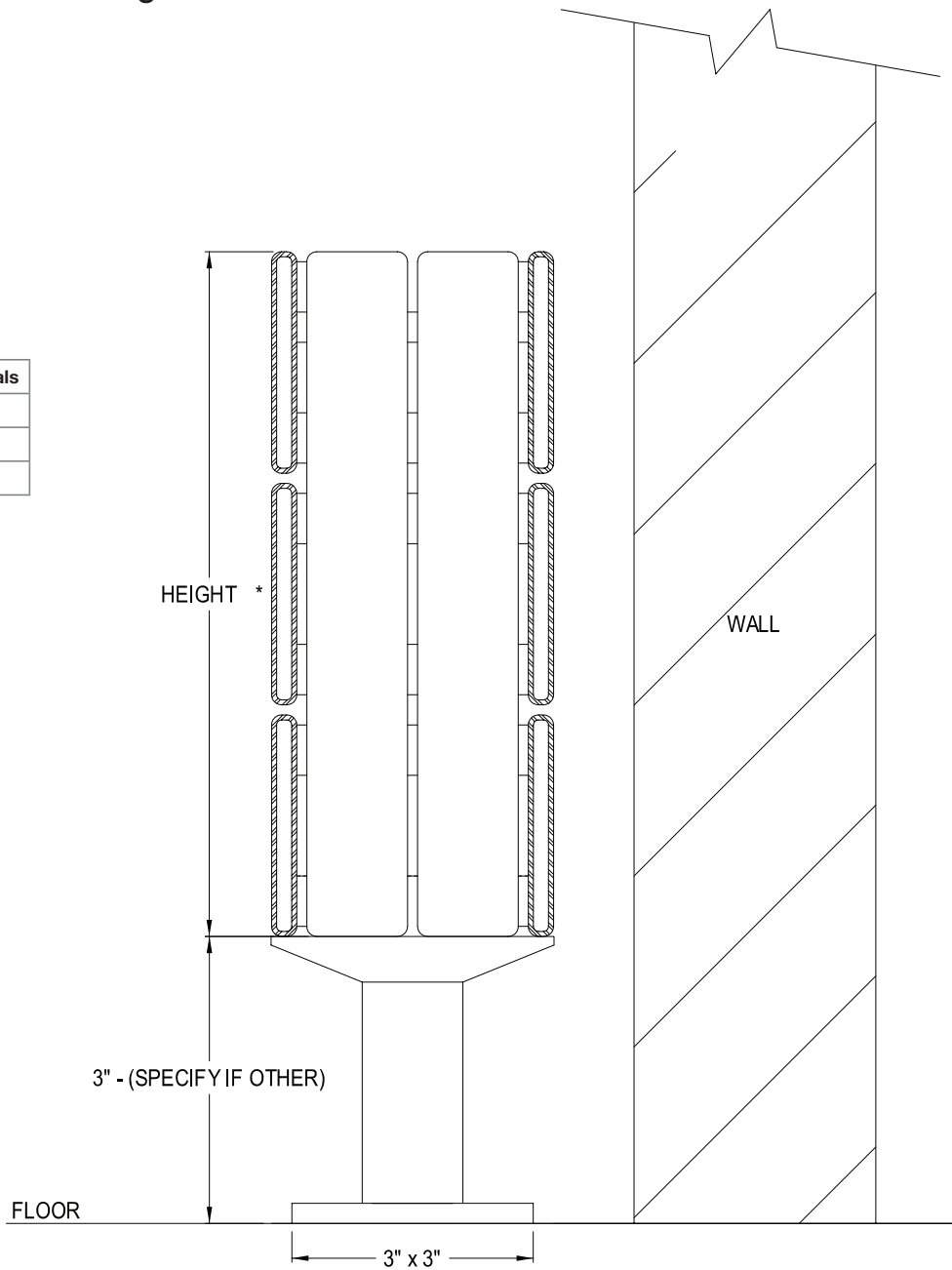


Rittling Steel Panel Radiator

PR2 and PR2F Free Standing Floor Mount

Panel length	Qty. of pedestals
2'0" – 5'0"	2 pieces
5'2"–11'6"	3 pieces
11'8"–16'0"	4 pieces

Panel rows	Height
PR2-1 & PR2F-1	2-3/4"
PR2-2 & PR2F-2	5-3/4"
PR2-3 & PR2F-3	8-5/8"
PR2-4 & PR2F-4	11-1/2"



3" - (SPECIFY IF OTHER)

3" x 3"

* ONLY AVAILABLE UP TO 4 TUBES TALL

Contractor _____

Architect _____

Engineer _____

Representative _____

Location _____

zehnder
Rittling

BUFFALO, NY USA

TITLE

ZR_PanRad_PR2_PR2F_PedMount

DRAWING NUMBER

May 13, 2015