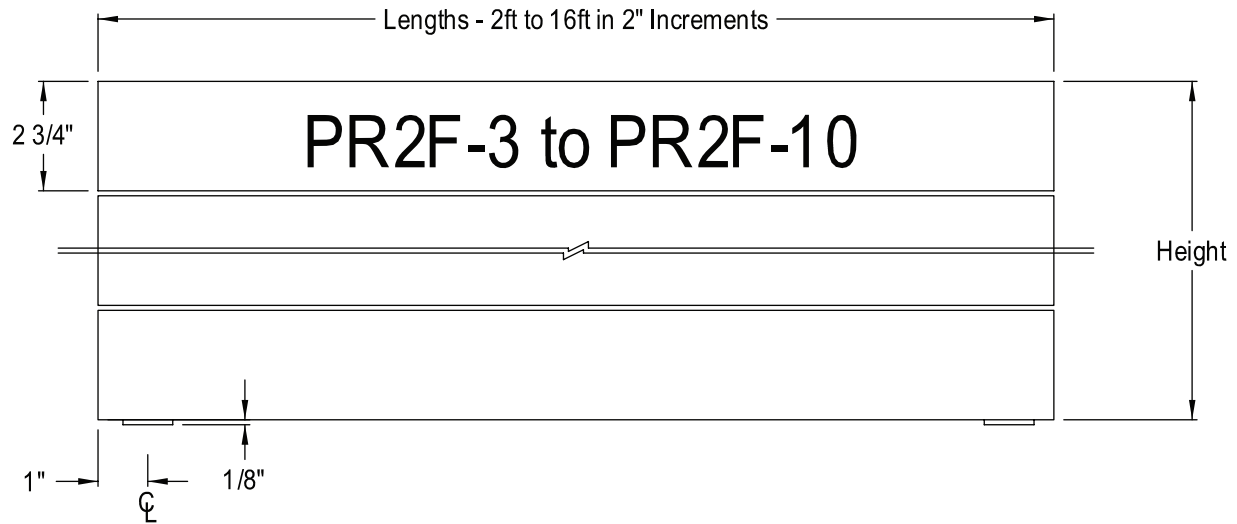
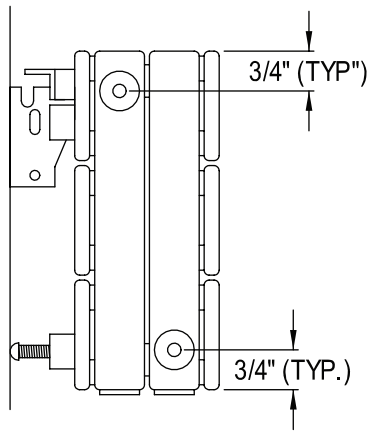
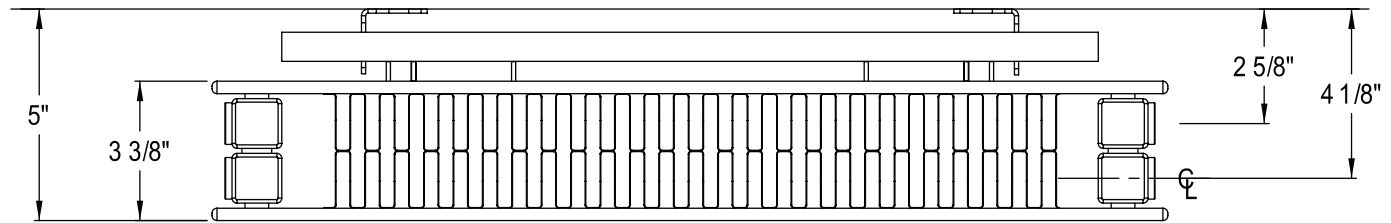


Rittling Steel Panel Radiator

PR2F-3 to PR2F-10



PR2F-3 to PR2F-10

Panel rows	Height
PR2F-3	8-5/8"
PR2F-4	11-1/2"
PR2F-5	14-3/8"
PR2F-6	17-1/4"
PR2F-7	20-1/4"
PR2F-8	23-1/8"
PR2F-9	26-1/8"
PR2F-10	29"

ALL PR2F UNITS PROVIDED WITH SUPPLY CONNECTION ON FRONT HEADER AND RETURN CONNECTION ON REAR HEADER.
UNIT SHOWN WITH SIDE AND BOTTOM CONNECTIONS FOR DIMENSIONAL PURPOSES ONLY.

PLEASE REFER TO PIPE CONNECTION SHEET FOR CONNECTION LOCATIONS AND SIZES OFFERED.

zehnder
Rittling

BUFFALO, NY USA

TITLE

ZR_PanRad_PR2F-03toPR2F-10

DRAWING NUMBER

April 1, 2012

Contractor _____ Representative _____

Architect _____ Location _____

Engineer _____