

Rittling Induction Units

Submittal Data,
English Language, IP Units

Submittal data

Unit designation
Job name
Architect
Engineer
Contractor

Performance data

Total cooling capacity
BTU/hr
Primary airflow
CFM
Primary air temperature
°F
Design room temperature
°F
Entering water temperature (cooling)
°F
Water flow (cooling)
GPM
Heating capacity
BTU/hr
Entering water temperature (heating)
°F
Water flow (heating)
GPM
Operating weight
lb.



Induction Unit Submittal Data

English, IP Units

Table of contents

***Page number**

Unit features 1

General data 3

Sound data 4

Dimensions and data 5

Mechanical specifications 14

Warranty 15

Revised November 2015. Zehnder periodically makes changes to the design and/or specifications of its products. As a result, the design and specifications of each product at the time of order may be different than as described herein. Please contact Zehnder's Sales Support staff at 844-934-6337 for specific information on current design and specifications. Designs, specifications and other information contained herein are not express warranties, which are only as expressly set forth by Zehnder in its terms and conditions of sale. The latest version of this document is available at www.zehnder-ritting.com.

Standard unit features

Summary of all features, some features may not be specific to every project.

A: Cooling/heating coil

Standard 1-row, 6-tube

- Sturdy, mechanically bonded copper/aluminum coil with 13 fins per inch and 1/2" nominal tubes.
- Coil assemblies tested for a maximum of 250 psig working pressure.
- Optional coil connections are available.

B: Drain pan

Non-drainable style.

C: Air plenum

The air plenum will be constructed of 24-gauge epoxy painted galvanized steel. Internal areas shall be thermally and acoustically insulated with fiberglass insulation.

Insulation to meet UL 723 for flame spread and smoke development. Plenum will be designed for series connection and shall contain a balancing damper to manually adjust the volume of primary air.

D: Support bracket

A wall mounting strip is attached to the wall. The induction unit is hung from several heavy gauge support brackets on the wall mounting strip.

E: Primary air nozzles

The induction nozzles are manufactured from a heat resistant, pliable plastic with five nozzle configurations available depending on quantity of primary air required.

Optional unit features

Summary of all features, some features may not be specific to every project.

A: Lint screen

This special galvanized screen and frame attaches to the coil with four clips provided with the base unit. The screen protects the coil from dirt and lint and can easily be removed for cleaning, thus ensuring maximum coil efficiency.

B: Drainable condensate pan

This special condensate pan, with 11/16-in. ODF sweat drain connection is available for applications such as hotels or apartments that may have periodic high-latent loads. Available as drainable left or right hand.

C: Wall mounting strip

Wall mounting strip is made of 14-gauge galvanized steel and is required for hanging all vertical base units, enclosures and enclosure accessories. Base unit and its enclosures can be mounted on same strip. Strips are available in either 5- or 8-ft. lengths.

D: Primary air transition fitting

Primary air transition fitting can provide air transition from the oval entrance on unit to a standard 4-in. round duct.

E: Coil connections

Four types of connections are available on base unit: Standard connection is

- 1/2-in. ODF sweat on both supply and return (not shown)
- 1/2-in. ODF sweat with manual air vent on return and 1/2-in. ODF sweat on supply
- 1/2-in. ODM flare on both supply and return
- 1/2-in. ODM flare with manual air vent on return and 1/2-in. ODM flare on supply

The specified connection is factory mounted on the unit.

Induction Unit Submittal Data

English, IP Units

General data

Unit operating weights (lbs)

Model	Unit Size			
	24"	32"	40"	52"
H4C	38	48	56	70
HC	33	42	49	61
V2H	32	40	49	63
V4H	34	42	52	67
V4L	23	28	35	44
V4W	34	44	52	66
VH	29	37	45	58
VL	18	23	28	35
VW	28	37	43	54

Notes

Weights include water in the coil but do not include field supplied control valve packages.

Standard ratings

Unit size	Nozzle arrangement	Primary air (CFM)	Coil cooling capacity (Btuh)						
			HC & VW	VL	VH	V2H	H4C & V4W	V4L	V4H
24"	F	19.4	1960	2060	2510	2720	1770	1940	2360
	G	27.2	2570	2650	3180	3500	2320	2440	2930
	H	38.9	3090	3090	3650	4080	2790	2780	3290
	J	50.8	3380	3290	3780	4340	3040	2900	3330
	K	62.8	3590	3410	3850	4500	3230	2900	3270
32"	F	25.3	2600	2730	3330	3600	2340	2570	3130
	G	35.4	3370	3450	4140	4550	3030	3170	3810
	H	50.5	4030	4030	4740	5310	3620	3630	4270
	J	64.9	4350	4240	4870	5590	3910	3730	4290
	K	81.6	4610	4370	4930	5770	4150	3710	4190
40"	F	31.1	3290	3460	4220	4570	2960	3250	3970
	G	43.5	4220	4330	5180	5710	3800	3980	4770
	H	62.2	5010	5010	5910	6620	4510	4510	5320
	J	81.3	5380	5230	6000	6890	4840	4600	5280
	K	100.5	5680	5380	6070	7100	5110	4570	5160
52"	F	40.8	4210	4430	5390	5840	3790	4160	5070
	G	57.1	5330	5460	6550	7210	4800	5020	6030
	H	81.6	6330	6330	7460	8350	5700	5700	6710
	J	105.5	6730	6560	7550	8660	6050	5770	6640
	K	131.9	7100	6740	7610	8900	6390	5730	6470

Notes

Units are rated in accordance with AHRI Standard 445-87, under the following conditions: 1.5 gpm of 50 °F water, 8 ft of water pressure drop thru coil (16 ft for V2H), 75 °F DB and 57 °F WB air entering coil and 1.5 in w.g. nozzle static pressure.

Revised November 2015. Zehnder periodically makes changes to the design and/or specifications of its products. As a result, the design and specifications of each product at the time of order may be different than as described herein. Please contact Zehnder's Sales Support staff at 844-934-6337 for specific information on current design and specifications. Designs, specifications and other information contained herein are not express warranties, which are only as expressly set forth by Zehnder in its terms and conditions of sale. The latest version of this document is available at www.zehnder-ritting.com.

Induction Unit Submittal Data

English, IP Units

Octave band sound power level

Nozzle type	Nozzle pressure (in. wg)	Unit size 24"						Unit size 32"					
		Sound power level (dB re 10-12 watts)						Sound power level (dB re 10-12 watts)					
		Octave band mid-frequency, Hz						Octave band mid-frequency, Hz					
		250	500	1000	2000	4000	8000	250	500	1000	2000	4000	8000
F	0.5	-	-	-	-	-	-	-	-	-	-	-	-
G		-	-	-	-	-	-	-	-	-	-	-	-
H		32	-	-	-	-	-	33	-	-	-	-	-
J		34	29	25	24	21	-	35	29	25	23	21	-
K		36	31	27	28	24	23	36	31	27	27	24	-
F	1.5	38	34	30	27	26	27	39	35	31	28	27	28
G		39	36	31	29	28	29	40	37	32	30	29	30
H		41	38	34	32	31	32	42	39	35	32	31	32
J		44	40	37	35	33	34	44	40	37	35	33	34
K		46	42	39	38	36	37	46	42	39	38	36	37
F	2.5	42	40	36	34	35	37	43	41	37	35	36	38
G		44	41	38	36	36	39	45	42	39	37	37	40
H		46	43	40	39	39	41	47	44	41	39	39	41
J		48	45	42	41	41	42	48	45	42	41	41	42
K		50	47	45	44	43	44	50	47	45	44	43	45
F	3.5	45	43	40	39	40	44	46	44	42	40	42	45
G		47	45	42	41	42	45	48	46	43	42	43	46
H		49	47	44	43	44	47	50	48	45	44	45	48
J		51	49	46	45	46	48	51	49	46	45	46	49
K		53	50	48	48	48	50	53	51	49	48	48	51

* Add 2 dB to every octave band sound power level to account for electric heater in discharge.

- Notes**
- Lw for octave bands below 250 Hz are below normal background levels and need not be considered in the application of this data.
 - Usage of the data presumes a well-designed air and water system which does not contribute to the unit sound power level.
 - Manufacturer reserves the right to discontinue, or change at any time, specifications or designs without notice and without incurring obligations.

Nozzle type	Nozzle pressure (in. wg)	Unit size 40"						Unit size 52"					
		Sound power level (dB re 10-12 watts)						Sound power level (dB re 10-12 watts)					
		Octave band mid-frequency, Hz						Octave band mid-frequency, Hz					
		250	500	1000	2000	4000	8000	250	500	1000	2000	4000	8000
F	0.5	-	-	-	-	-	-	-	-	-	-	-	-
G		-	-	-	-	-	-	33	27	-	-	-	-
H		33	28	-	-	-	-	35	29	23	20	-	-
J		35	30	25	23	21	-	36	30	25	23	21	-
K		37	31	27	26	24	24	38	32	27	26	24	23
F	1.5	40	36	31	28	28	29	41	37	33	30	29	30
G		41	38	33	30	30	31	42	39	34	31	31	32
H		43	39	35	33	32	33	44	40	36	33	33	34
J		45	41	37	35	34	35	45	42	38	35	34	35
K		46	43	39	38	36	37	47	43	40	38	37	37
F	2.5	44	42	38	36	37	39	45	43	39	37	38	40
G		46	43	40	38	38	41	47	44	41	39	39	42
H		47	45	42	40	40	42	49	46	43	41	41	43
J		49	46	43	42	42	44	50	47	44	42	42	45
K		51	48	45	44	43	45	51	49	46	44	44	46
F	3.5	47	45	42	41	42	46	48	46	44	42	44	47
G		49	47	44	43	44	47	50	48	45	44	45	48
H		50	48	46	45	46	49	51	50	47	46	47	50
J		52	50	47	46	47	51	53	51	48	47	48	51
K		54	51	49	48	49	51	54	52	50	49	50	53

* Add 2 dB to every octave band sound power level to account for electric heater in discharge.

- Notes**
- Lw for octave bands below 250 Hz are below normal background levels and need not be considered in the application of this data.
 - Usage of the data presumes a well-designed air and water system which does not contribute to the unit sound power level.
 - Manufacturer reserves the right to discontinue, or change at any time, specifications or designs without notice and without incurring obligations.

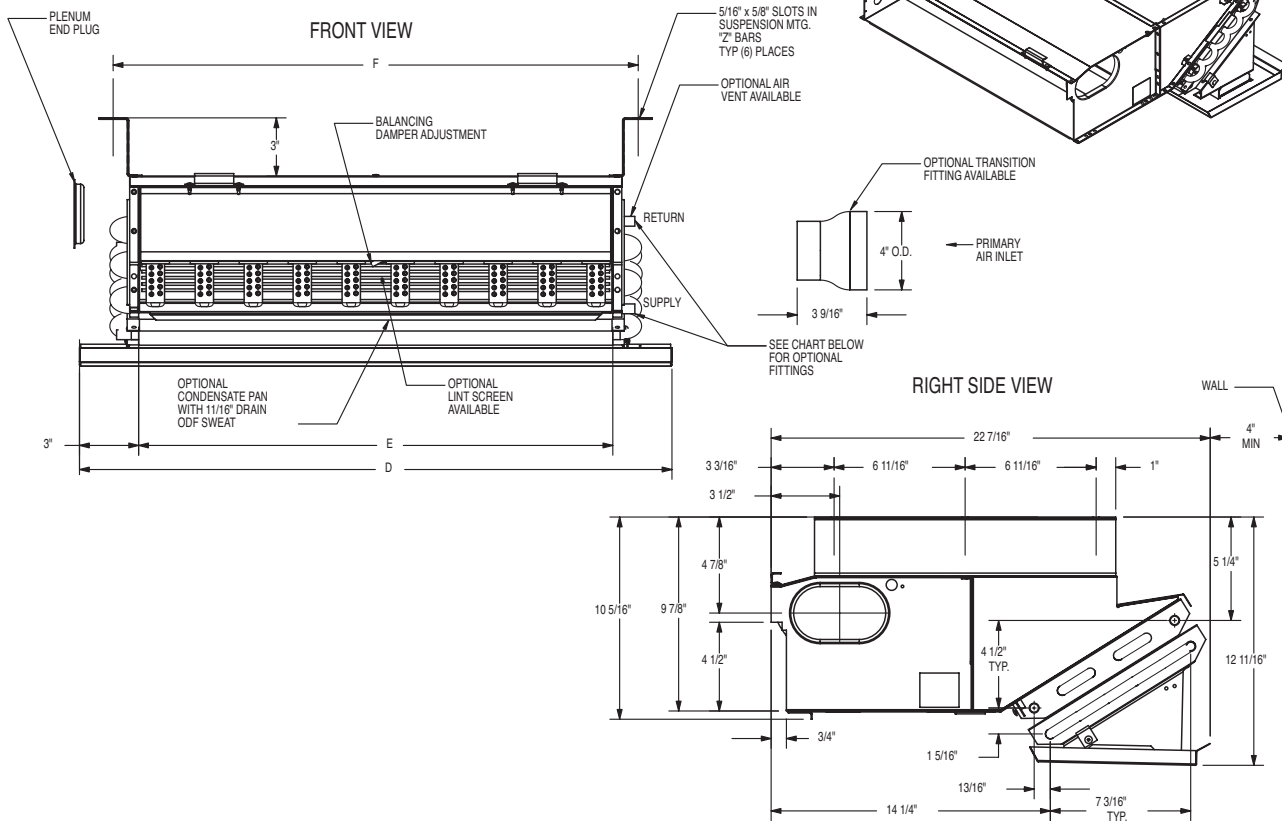
Revised November 2015. Zehnder periodically makes changes to the design and/or specifications of its products. As a result, the design and specifications of each product at the time of order may be different than as described herein. Please contact Zehnder's Sales Support staff at 844-934-6337 for specific information on current design and specifications. Designs, specifications and other information contained herein are not express warranties, which are only as expressly set forth by Zehnder in its terms and conditions of sale. The latest version of this document is available at www.zehnder-ritting.com.

Induction Unit Submittal Data

English, IP Units

Dimensions and data

Model H4C



Unit Size (H4C)	24"	32"	40"	52"
Dimensions (in.) Drain pan (D)	30-1/4"	38-1/4"	46-1/4"	58-1/4"
Nom. coil (E)	24-1/8"	32"	40"	52"
Z Bar (F)	27-1/8"	35"	43"	55"
Min. free areas (sq. in.) Discharge grille	81	108	135	175
Recirculation grille	234	288	343	439
Approx. shipping weight (LB)	38	57	59	73

Notes:

- Condensate connection mounted same side as coil connection
- Four inch minimum distance from wall required to obtain rated capacity; 8-1/2" minimum for screen removal
- Shipping weight includes packaging

Optional fittings	
Code digit #8	Description
0	1/2" ODF sweat fitting
1	1/2" ODF sweat fitting w/vent
2	1/2" ODM flare fitting
3	1/2" ODM flare fitting w/vent

Description:

The H4C is shipped from the factory with the following:

- Acoustically designed plenum and nozzles as specified
- Two 6-tube coils with copper tubes and aluminum fins
- Condensate pan as specified
- Two Z brackets for mounting unit to a rigid flat horizontal surface
- Coil connections as specified
- Hardware kit includes:
 - (8) Mounting screws
 - (8) Tinnerman nuts
 - (1) Lint screen clip

All listed dimensions are approximate and are subject to change without notice. Modifications to the product specifications must be accepted by Zehnder at its base office.

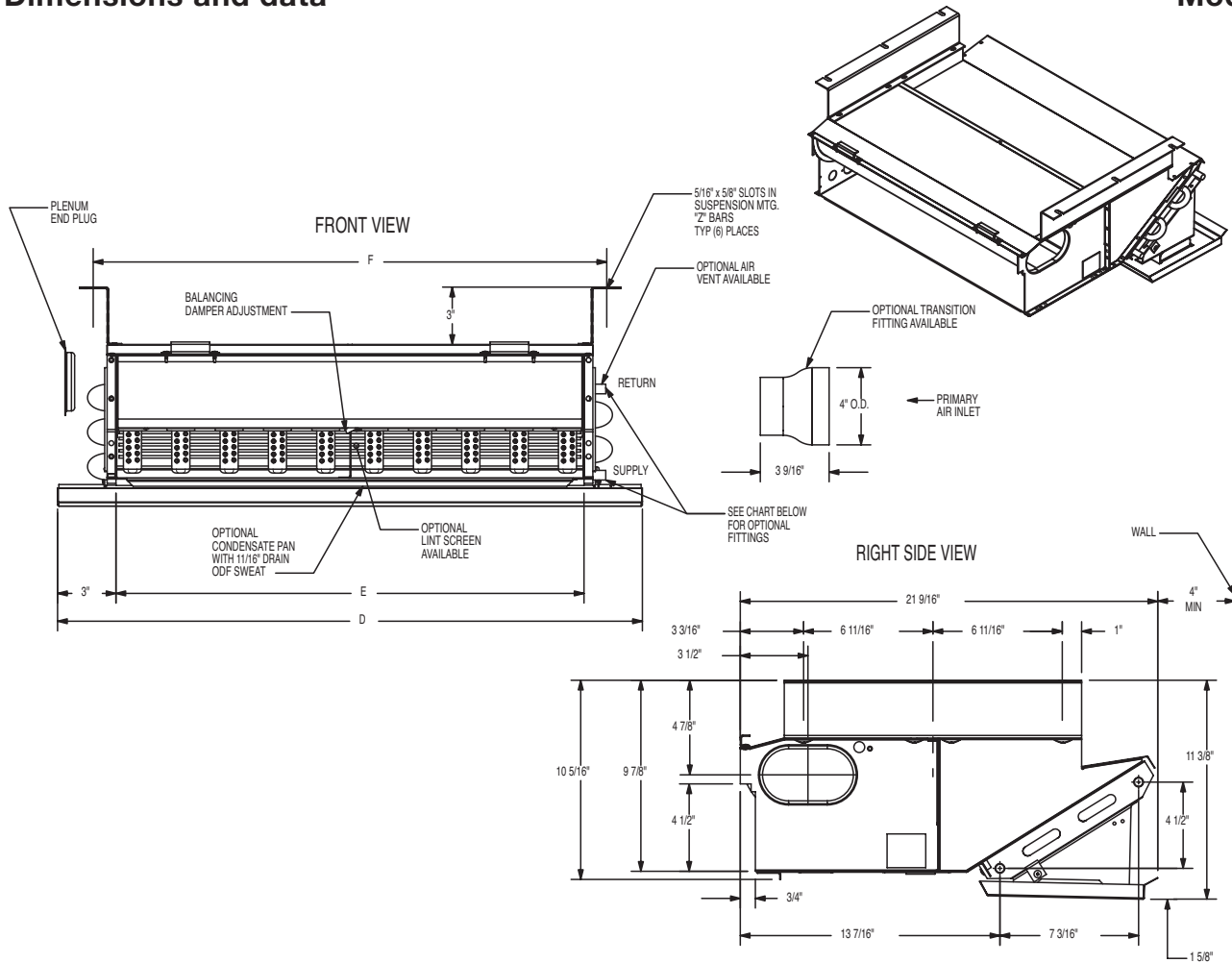
Revised November 2015. Zehnder periodically makes changes to the design and/or specifications of its products. As a result, the design and specifications of each product at the time of order may be different than as described herein. Please contact Zehnder's Sales Support staff at 844-934-6337 for specific information on current design and specifications. Designs, specifications and other information contained herein are not express warranties, which are only as expressly set forth by Zehnder in its terms and conditions of sale. The latest version of this document is available at www.zehnder-ritting.com.

Induction Unit Submittal Data

English, IP Units

Dimensions and data

Model HC



Unit Size (HC)	24"	32"	40"	52"
Dimensions (in.) Drain pan (D)	30-1/4"	38-1/4"	46-1/4"	58-1/4"
Nom. coil (E)	24-1/8"	32"	40"	52"
Z Bar (F)	27-1/8"	35"	43"	55"
Min. free areas (sq. in.) Discharge grille	81	108	135	175
Recirculation grille	234	288	343	439
Approx. shipping weight (LB)	36	45	52	64

- Notes:**
- Condensate connection mounted same side as coil connection
 - Four inch minimum distance from wall required to obtain rate capacity; 8-1/2" minimum for screen removal
 - Shipping weight includes packaging

Optional fittings	
Code digit #8	Description
0	1/2" ODF sweat fitting
1	1/2" ODF sweat fitting w/vent
2	1/2" ODM flare fitting
3	1/2" ODM flare fitting w/vent

- Description:**
The HC is shipped from the factory with the following:
- Acoustically designed plenum and nozzles as specified
 - One 6-tube coil with copper tubes and aluminum fins
 - Condensate pan as specified
 - Two Z brackets for mounting unit to a rigid flat horizontal surface
 - Coil connections as specified
 - Hardware kit includes:
 - (8) Mounting screws
 - (8) Tinnerman nuts
 - (1) Lint screen clip

All listed dimensions are approximate and are subject to change without notice. Modifications to the product specifications must be accepted by Zehnder at its base office.

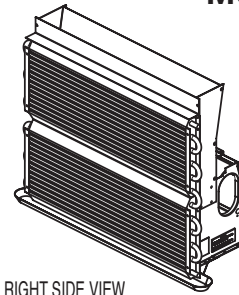
Revised November 2015. Zehnder periodically makes changes to the design and/or specifications of its products. As a result, the design and specifications of each product at the time of order may be different than as described herein. Please contact Zehnder's Sales Support staff at 844-934-6337 for specific information on current design and specifications. Designs, specifications and other information contained herein are not express warranties, which are only as expressly set forth by Zehnder in its terms and conditions of sale. The latest version of this document is available at www.zehnder-ritting.com.

Induction Unit Submittal Data

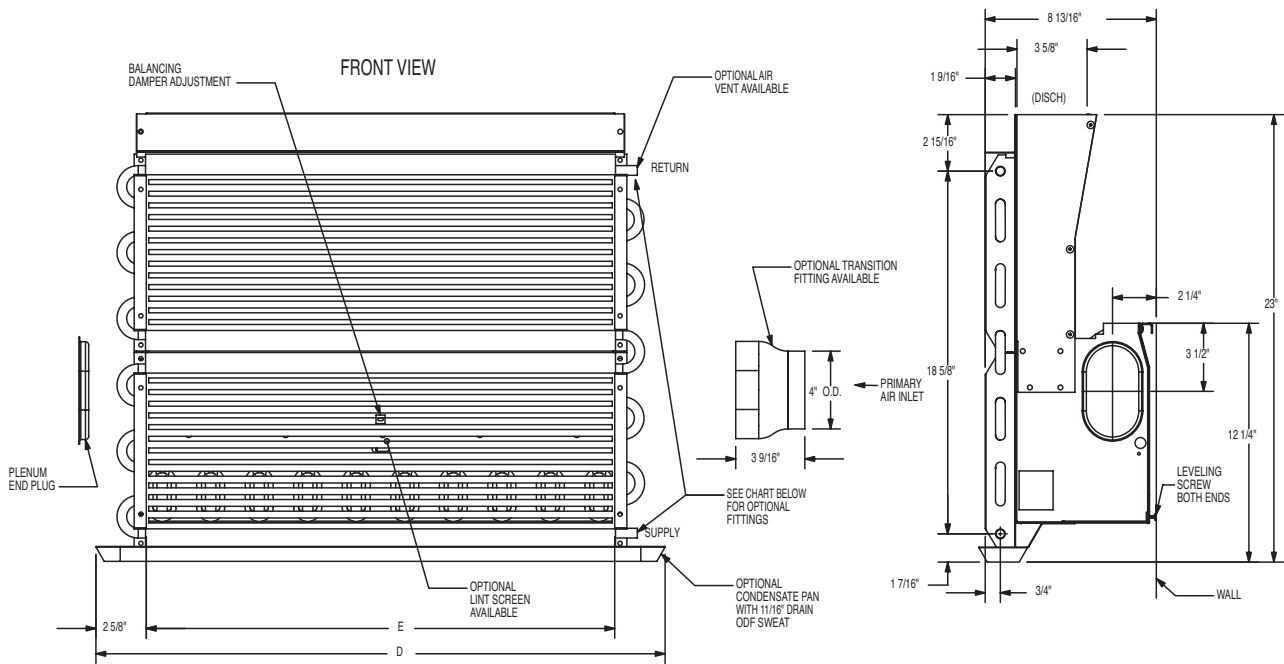
English, IP Units

Dimensions and data

Model V2H



RIGHT SIDE VIEW



Unit Size (V2H)	24"	32"	40"	52"
Dimensions (in.) Drain pan (D)	29-1/2"	37-1/2"	45-1/2"	57-1/2"
Nom. coil (E)	24-1/8"	32"	40"	52"
Z Bar (F)	3 Inches			
Min. free areas (sq. in.) Discharge grille	81	108	135	175
Recirculation grille	473	630	788	1023
Approx. shipping weight (LB)	35	43	52	66

Optional fittings	
Code digit #8	Description
0	1/2" ODF sweat fitting
1	1/2" ODF sweat fitting w/vent
2	1/2" ODM flare fitting
3	1/2" ODM flare fitting w/vent

Description:

The V2H is shipped from the factory with the following:

- Acoustically designed plenum and nozzles as specified
- One 12-tube coil with copper tubes and aluminum fins
- Condensate pan as specified
- Coil connections as specified
- Recovery stack and drain pan assembled and ready for wall mounting
- Hardware kit includes:
 - (2) Leveling screws
 - (2) Leveling screw clips
 - (4) Lint screen clips
 - (2) Coil condensate plates with clips

Notes:

- Condensate connection mounted same side as coil connection
- Shipping weight includes packaging

All listed dimensions are approximate and are subject to change without notice. Modifications to the product specifications must be accepted by Zehnder at its base office.

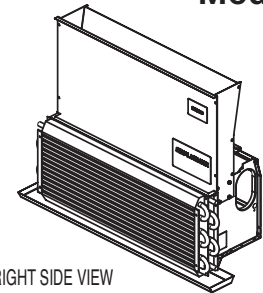
Revised November 2015. Zehnder periodically makes changes to the design and/or specifications of its products. As a result, the design and specifications of each product at the time of order may be different than as described herein. Please contact Zehnder's Sales Support staff at 844-934-6337 for specific information on current design and specifications. Designs, specifications and other information contained herein are not express warranties, which are only as expressly set forth by Zehnder in its terms and conditions of sale. The latest version of this document is available at www.zehnder-ritting.com.

Induction Unit Submittal Data

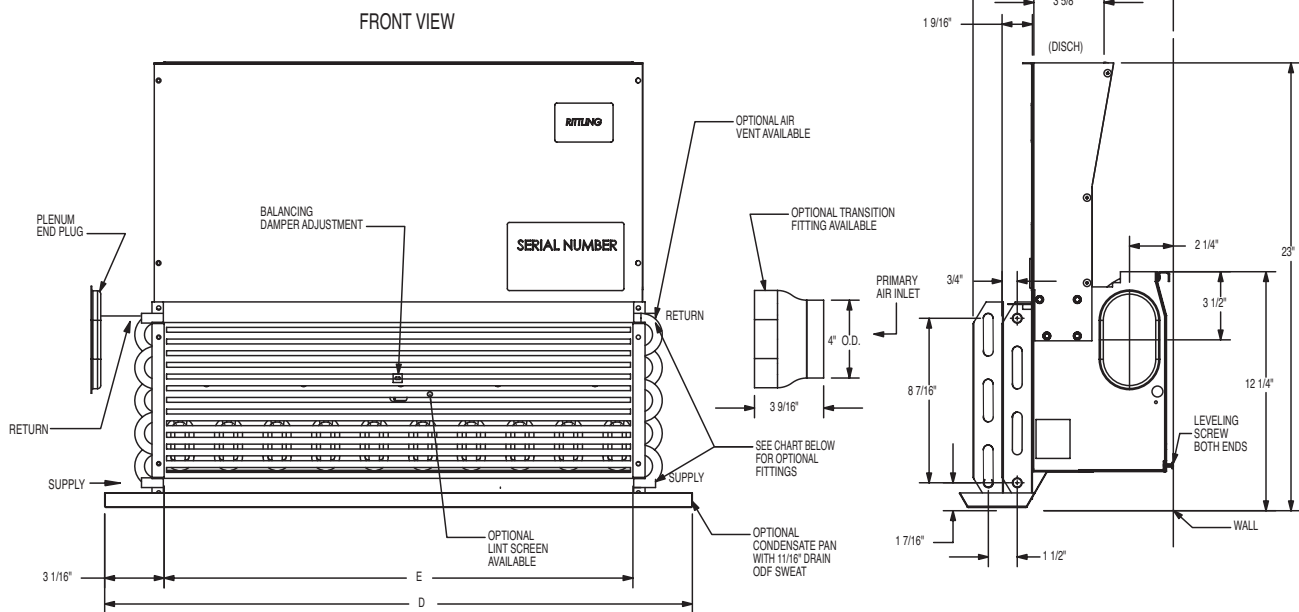
English, IP Units

Dimensions and data

Model V4H



RIGHT SIDE VIEW



Unit Size (V4H)	24"	32"	40"	52"
Dimensions (in.) Drain pan (D)	29-1/2"	37-1/2"	45-1/2"	57-1/2"
Nom. coil (E)	24-1/8"	32"	40"	52"
Min. free areas (sq. in.) Discharge grille	81	108	135	175
Recirculation grille	237	315	394	512
Approx. shipping weight (LB)	37	45	55	70

Optional fittings	
Code digit #8	Description
0	1/2" ODF sweat fitting
1	1/2" ODF sweat fitting w/vent
2	1/2" ODM flare fitting
3	1/2" ODM flare fitting w/vent

Description:

The V4H shipped from the factory with the following:

- Acoustically designed plenum and nozzles as specified
- Two 6-tube coil with copper tubes and aluminum fins
- Condensate pan as specified
- Coil connections as specified
- Recovery stack and drain pan, assembled ready for wall mounting
- Hardware kit includes:
 - (2) Leveling screws
 - (2) Leveling screw clips
 - (4) Lint screen clips
 - (2) Coil condensate plates with clips

Notes:

- Condensate connection mounted same side as cooling coil connection
- Shipping weight includes packaging
- Orientation of coil connections to be determined
- Inner coil is always for cooling and determines whether it is RH or LH connections. Heating coil connections are opposite of cooling connections

All listed dimensions are approximate and are subject to change without notice. Modifications to the product specifications must be accepted by Zehnder at its base office.

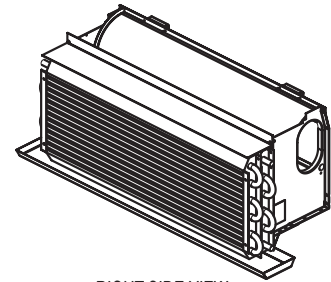
Revised November 2015. Zehnder periodically makes changes to the design and/or specifications of its products. As a result, the design and specifications of each product at the time of order may be different than as described herein. Please contact Zehnder's Sales Support staff at 844-934-6337 for specific information on current design and specifications. Designs, specifications and other information contained herein are not express warranties, which are only as expressly set forth by Zehnder in its terms and conditions of sale. The latest version of this document is available at www.zehnder-ritling.com.

Induction Unit Submittal Data

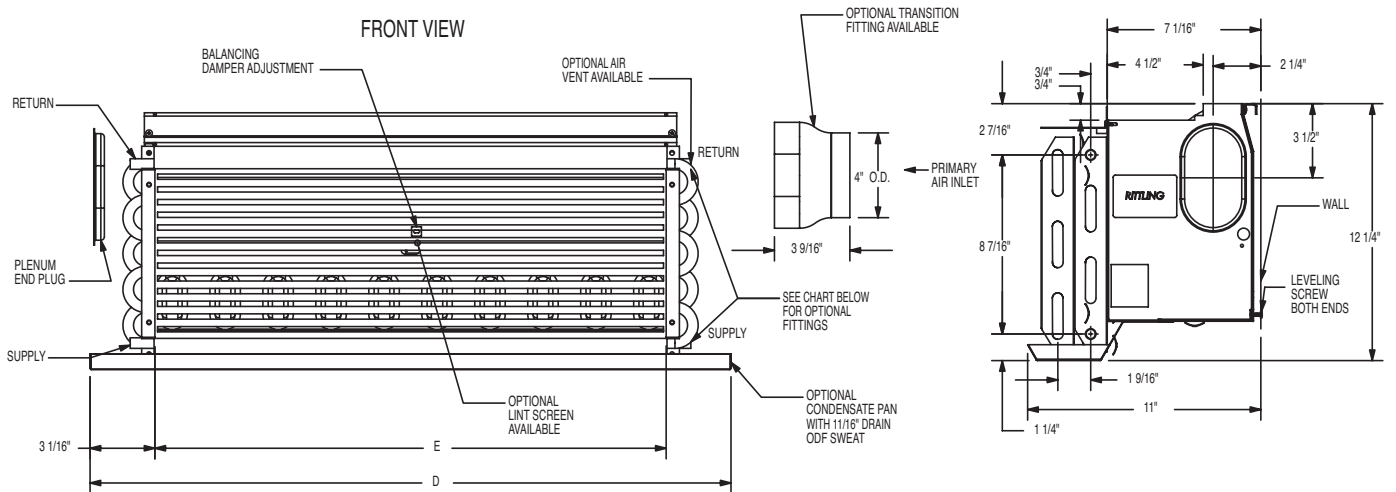
English, IP Units

Dimensions and data

Model V4L



RIGHT SIDE VIEW



Unit Size (V4L)	24"	32"	40"	52"
Dimensions (in.) Drain pan (D)	29-1/2"	37-1/2"	45-1/2"	57-1/2"
Nom. coil (E)	24-1/8"	32"	40"	52"
Min. free areas (sq. in.) Discharge grille	81	108	135	175
Recirculation grille	124	165	206	269
Approx. shipping weight (LB)	26	31	36	47

Optional fittings	
Code digit #8	Description
0	1/2" ODF sweat fitting
1	1/2" ODF sweat fitting w/vent
2	1/2" ODM flare fitting
3	1/2" ODM flare fitting w/vent

Notes:

- Condensate connection mounted same side as cooling coil connection
- Shipping weight includes packaging
- Orientation of coil connections to be determined
- Inner coil is always for cooling and determines whether it is RH or LH connections. Heating coil connections are opposite of cooling connections

Description:

The V4L is shipped from the factory with the following:

- Acoustically designed plenum and nozzles as specified
- Two 6-tube coils with copper tubes and aluminum fins
- Condensate pan as specified
- Coil connections as specified
- Hardware kit includes:
 - (2) Leveling screws
 - (2) Leveling screw clips
 - (4) Lint screen clips
 - (2) Coil condensate plates with clips

All listed dimensions are approximate and are subject to change without notice. Modifications to the product specifications must be accepted by Zehnder at its base office.

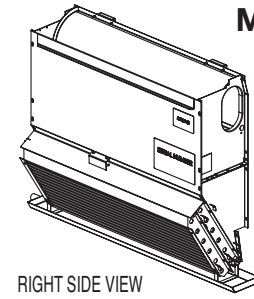
Revised November 2015. Zehnder periodically makes changes to the design and/or specifications of its products. As a result, the design and specifications of each product at the time of order may be different than as described herein. Please contact Zehnder's Sales Support staff at 844-934-6337 for specific information on current design and specifications. Designs, specifications and other information contained herein are not express warranties, which are only as expressly set forth by Zehnder in its terms and conditions of sale. The latest version of this document is available at www.zehnder-ritting.com.

Induction Unit Submittal Data

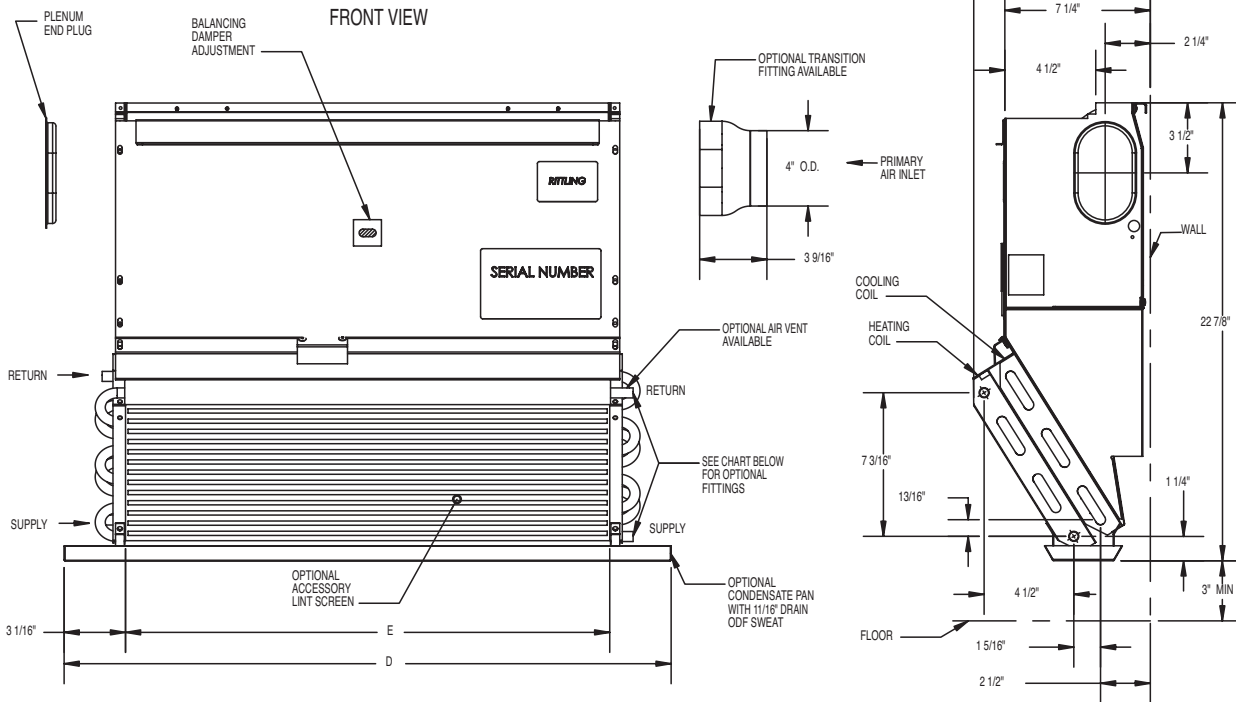
English, IP Units

Dimensions and data

Model V4W



RIGHT SIDE VIEW



Unit Size (V4W)	24"	32"	40"	52"
Dimensions (in.) Drain pan (D)	29-3/8"	37-3/8"	45-3/8"	57-3/8"
Nom. coil (E)	24-1/8"	32"	40"	52"
Min. height from floor	3 Inches			
Min. free areas (sq. in.) Discharge grille	81	108	135	175
Recirculation grille	237	315	394	512
Approx. shipping weight (LB)	37	47	55	69

Optional fittings	
Code digit #8	Description
0	1/2" ODF sweat fitting
1	1/2" ODF sweat fitting w/vent
2	1/2" ODM flare fitting
3	1/2" ODM flare fitting w/vent

Description:

The V4W is shipped from the factory with the following:

- Acoustically designed plenum and nozzles as specified
- One 6-tube coil with copper tubes and aluminum fins
- Condensate pan as specified
- Coil connections as specified
- Hardware kit includes:

- (2) Leveling screws
- (2) Leveling screw clips
- (4) Lint screen clips
- (2) Coil condensate plates with clips

Notes:

- Condensate connection mounted same side as cooling coil connection
- Shipping weight includes packaging
- Orientation of coil connections to be determined
- Inner coil is always for cooling and determines whether it is RH or LH connections. Heating coil connections are opposite of cooling connections

All listed dimensions are approximate and are subject to change without notice. Modifications to the product specifications must be accepted by Zehnder at its base office.

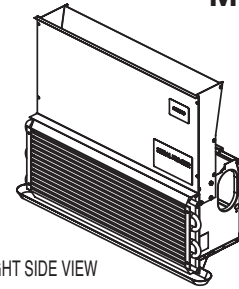
Revised November 2015. Zehnder periodically makes changes to the design and/or specifications of its products. As a result, the design and specifications of each product at the time of order may be different than as described herein. Please contact Zehnder's Sales Support staff at 844-934-6337 for specific information on current design and specifications. Designs, specifications and other information contained herein are not express warranties, which are only as expressly set forth by Zehnder in its terms and conditions of sale. The latest version of this document is available at www.zehnder-ritling.com.

Induction Unit Submittal Data

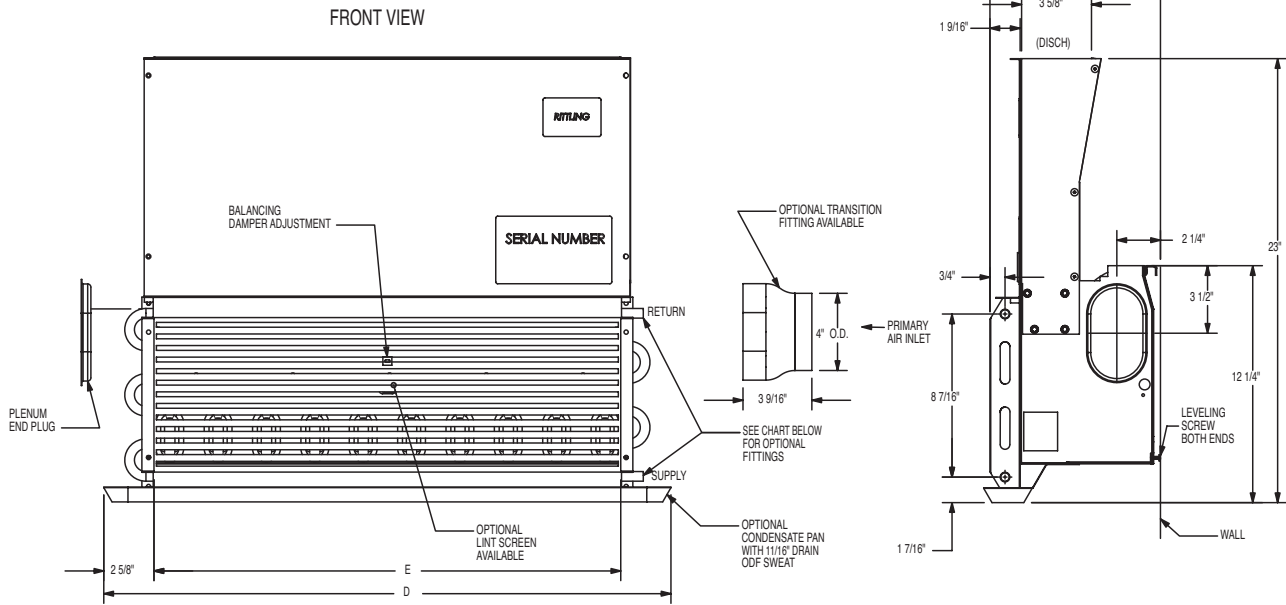
English, IP Units

Dimensions and data

Model VH



RIGHT SIDE VIEW



Unit Size (VH)	24"	32"	40"	52"
Dimensions (in.) Drain pan (D)	29-1/2"	37-1/2"	45-1/2"	57-1/2"
Nom. coil (E)	24-1/8"	32"	40"	52"
Min. height from floor	3 Inches			
Min. free areas (sq. in.) Discharge grille	81	108	135	175
Recirculation grille	237	315	394	512
Approx. shipping weight (LB)	32	40	48	61

Optional fittings	
Code digit #8	Description
0	1/2" ODF sweat fitting
1	1/2" ODF sweat fitting w/vent
2	1/2" ODM flare fitting
3	1/2" ODM flare fitting w/vent

Description:

- The VH is shipped from the factory with the following:
- Acoustically designed plenum and nozzles as specified
 - One 6-tube coil with copper tubes and aluminum fins
 - Condensate pan as specified
 - Coil connections as specified
 - Recovery stack and drain pan, assembled and ready for wall mounting
 - Hardware kit includes:
 - (2) Leveling screws
 - (2) Leveling screw clips
 - (4) Lint screen clips
 - (2) Coil condensate plates with clips

- Notes:**
- Condensate connection mounted same side as coil connection
 - Shipping weight includes packaging

All listed dimensions are approximate and are subject to change without notice. Modifications to the product specifications must be accepted by Zehnder at its base office.

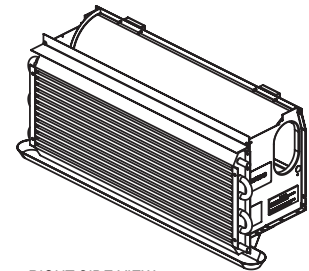
Revised November 2015. Zehnder periodically makes changes to the design and/or specifications of its products. As a result, the design and specifications of each product at the time of order may be different than as described herein. Please contact Zehnder's Sales Support staff at 844-934-6337 for specific information on current design and specifications. Designs, specifications and other information contained herein are not express warranties, which are only as expressly set forth by Zehnder in its terms and conditions of sale. The latest version of this document is available at www.zehnder-ritling.com.

Induction Unit Submittal Data

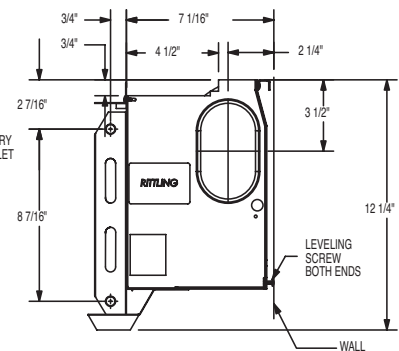
English, IP Units

Dimensions and data

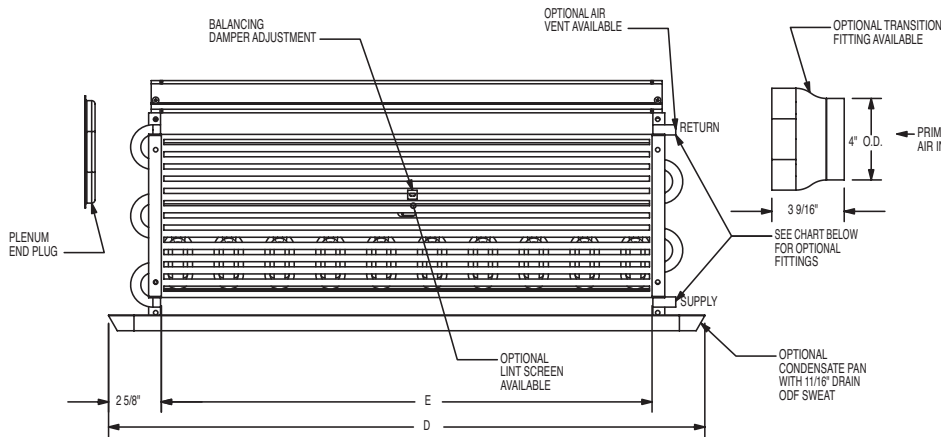
Model VL



RIGHT SIDE VIEW



FRONT VIEW



Unit Size (VL)	24"	32"	40"	52"
Dimensions (in.) Drain pan (D)	29-1/2"	37-1/2"	45-1/2"	57-1/2"
Nom. coil (E)	24-1/8"	32"	40"	52"
Min. free areas (sq. in.) Discharge grille	81	108	135	175
Recirculation grille	124	165	206	269
Approx. shipping weight (LB)	21	26	31	38

Optional fittings	
Code digit #8	Description
0	1/2" ODF sweat fitting
1	1/2" ODF sweat fitting w/vent
2	1/2" ODM flare fitting
3	1/2" ODM flare fitting w/vent

Description:

The VL is shipped from the factory with the following:

- Acoustically designed plenum and nozzles as specified
- One 6-tube coil with copper tubes and aluminum fins
- Condensate pan as specified
- Coil connections as specified
- Hardware kit includes:
 - (2) Leveling screws
 - (2) Leveling screw clips
 - (4) Lint screen clips
 - (2) Coil condensate plates with clips

Notes:

- Condensate connection mounted same side as coil connection
- Shipping weight includes packaging

All listed dimensions are approximate and are subject to change without notice. Modifications to the product specifications must be accepted by Zehnder at its base office.

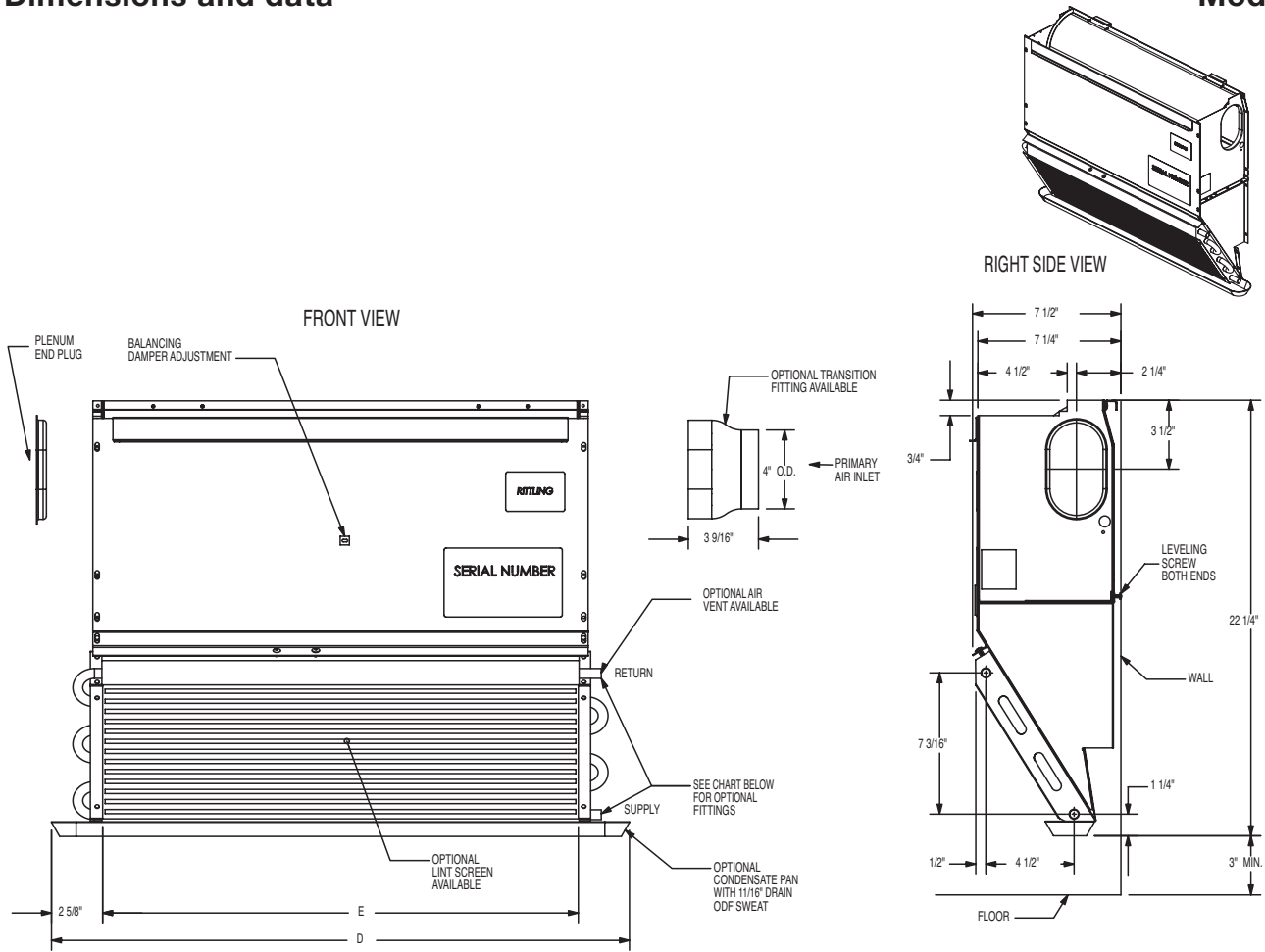
Revised November 2015. Zehnder periodically makes changes to the design and/or specifications of its products. As a result, the design and specifications of each product at the time of order may be different than as described herein. Please contact Zehnder's Sales Support staff at 844-934-6337 for specific information on current design and specifications. Designs, specifications and other information contained herein are not express warranties, which are only as expressly set forth by Zehnder in its terms and conditions of sale. The latest version of this document is available at www.zehnder-ritling.com.

Induction Unit Submittal Data

English, IP Units

Dimensions and data

Model VW



Unit Size (VW)	24"	32"	40"	52"
Dimensions (in.) Drain pan (D)	29-1/2"	37-1/2"	45-1/2"	57-1/2"
Nom. coil (E)	24-1/8"	32"	40"	52"
Min. height from floor	3 Inches			
Min. free areas (sq. in.) Discharge grille	81	108	135	175
Recirculation grille	234	288	343	439
Approx. shipping weight (LB)	31	40	46	57

- Notes:**
- Condensate connection mounted same side as coil connection
 - Shipping weight includes packaging

Optional fittings	
Code digit #8	Description
0	1/2" ODF sweat fitting
1	1/2" ODF sweat fitting w/vent
2	1/2" ODM flare fitting
3	1/2" ODM flare fitting w/vent

Description:

The VW is shipped from the factory with the following:

- Acoustically designed plenum and nozzles as specified
- One 6-tube coil with copper tubes and aluminum fins
- Condensate pan as specified
- Coil connections as specified
- Drain pan, assembled and ready for wall mounting
- Hardware kit includes:
 - (2) Leveling screws
 - (2) Leveling screw clips
 - (4) Lint screen clips
 - (2) Coil condensate plates with clips

All listed dimensions are approximate and are subject to change without notice. Modifications to the product specifications must be accepted by Zehnder at its base office.

Revised November 2015. Zehnder periodically makes changes to the design and/or specifications of its products. As a result, the design and specifications of each product at the time of order may be different than as described herein. Please contact Zehnder's Sales Support staff at 844-934-6337 for specific information on current design and specifications. Designs, specifications and other information contained herein are not express warranties, which are only as expressly set forth by Zehnder in its terms and conditions of sale. The latest version of this document is available at www.zehnder-ritling.com.

Mechanical specifications

Furnish and install H4C, HC, V2H, V4H, V4L, V4W, VH, VL & VW water control units of the type, size and arrangement shown on the plans.

Base Unit Assembly shall consist of an air inlet, air plenum, induction nozzles, lint screen or filter, water coil assembly, air transition fitting, air plug and nondrainable [drainable] condensate pan.

Air Plenum shall be constructed of 20 gauge galvanized steel. Internal areas shall be acoustically and thermally insulated with neoprene-coated fiberglass. Insulation shall conform to UL 181 for erosion and NFPA 90A for fire, smoke and melting and comply with a 25/50 flame spread and smoke developed index per ASTM E-84 or UL 723. Plenum shall be designed for series connection or feed-thru, and shall contain primary air balancing damper arranged for independent manual adjustment of primary air volume. Recovery stack and outlet collar where required shall be cold-rolled steel painted black. All sheet metal joints in the primary air plenum are sealed air tight.

Induction nozzles of heat resistant, pliable plastic shall be designed for minimum noise generation. Nozzle arrangement shall be selected to provide capacities, air flows and noise levels as specified.

Water coil assembly shall consist of a single-row reversible coil with 1/2" copper tubing mechanically expanded to aluminum plate fins, spaced no closer than 13 FPI. [Two separate coils shall be furnished for 4-pipe operation.] Coil connections shall be 1/2-in. ODF sweat [1/2-in. ODM flare] [1/2-in. ODF sweat with vent] [1/2-in. ODM flare with vent]. Coil shall be suitable for working pressures up to 250 psig and be leak tested under water at 300 psig. Nondrainable [drainable] galvanized steel condensate pan shall complete the assembly.

Primary air transition fitting for connection to 4-in. runout duct shall be die-formed, streamlined, and interchangeable with removable air plug, when interconnecting the units for series installation.

Lint screen shall be of fine mesh, properly supported and readily removable for servicing.

Electric heater shall consist of a single finned cartridge wired with a control package including relays, micro switch, terminal blocks and thermal cutouts. Heater and control package in standard base unit shall be ETL or UL labeled.

Warranty

Zehnder Rittling guarantees its products to be free from defects in material and workmanship for a period of two years from date of shipment from our Buffalo, NY factory, whichever comes first.

Should there be any defects in the good(s), the purchaser should promptly notify Zehnder Rittling. Upon receipt of written consent from Zehnder Rittling, the purchaser shall return the defective good(s) to the factory for inspection with freight prepaid. If inspection shows the goods to be defective, Zehnder Rittling will at its discretion repair or replace the said item(s).

Defects arising from damage due to shipment, improper installation, negligence or misuse by others are not covered by this warranty.

This warranty is extended only to the original purchaser from Zehnder Rittling.

