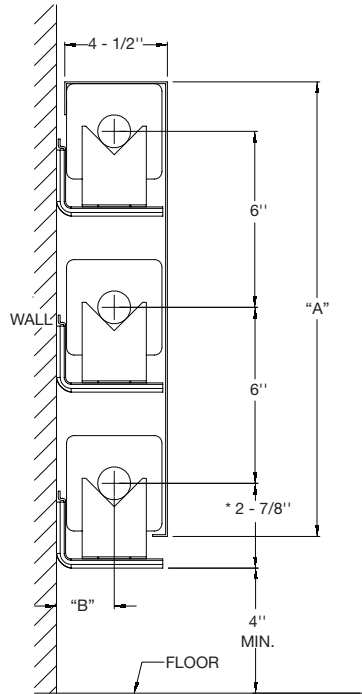
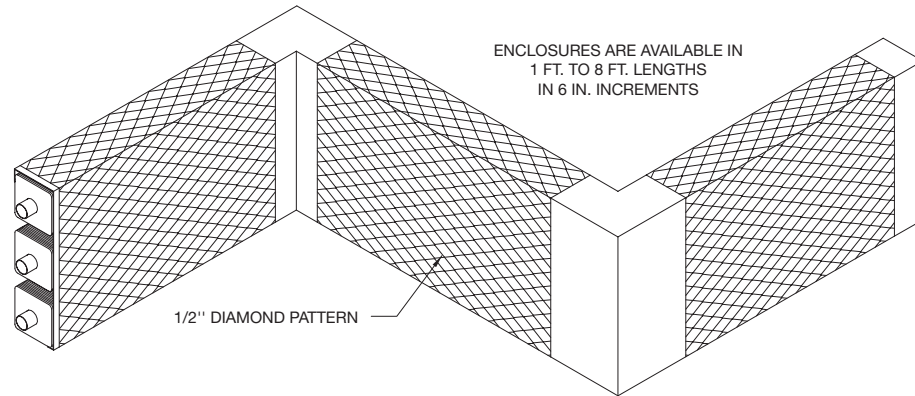


zehnder Rittling



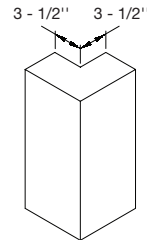
* CENTERLINES ARE BASED ON 1" COPPER TUBE



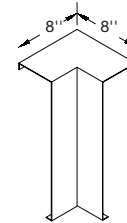
ACCESSORIES



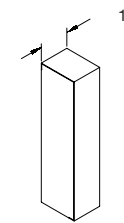
SLIP - IN SECOND
ROW BRACKET



"OC"
OUTSIDE CORNER



"IC"
INSIDE CORNER



"EC"
END CAP
(LEFT HAND SHOWN)



"WT"
WALL TRIM STRIP
3 - 1/2", 5", 7 - 1/2"

MODEL	PIPE SIZE		FIN SIZE	A	B
	STEEL	COPPER			
EXO	1 - 1/4" - 2"	1", 1 - 1/4"	4 - 1/4" x 4 - 1/4"	4 - 1/2" 10 - 1/2" 16 - 1/2"	2 - 17/32"

* ALL ACCESSORIES OVERLAP
** BUTT - TYPE OPTIONAL



CONTRACTOR _____ ELEMENT _____
 ARCHITECT _____ RATING _____ BTU _____ A.W.T. _____ E.A.T. _____
 ENGINEER _____ BACKPLATE _____ FULL _____ PARTIAL _____
 REPRESENTATIVE _____ ENCL. GAUGE _____ MATERIAL _____
 LOCATION _____ COLOR _____ DAMPER _____

ZEHNDER RITTLING
100 RITTLING BLVD. • BUFFALO, NY USA 14220

JOB:

ENCLOSURE MODEL: **EXO4**

DATE: **January 2011**

DWG.NO.: **EXO4**