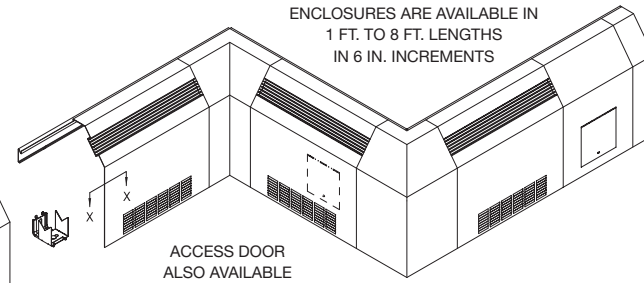
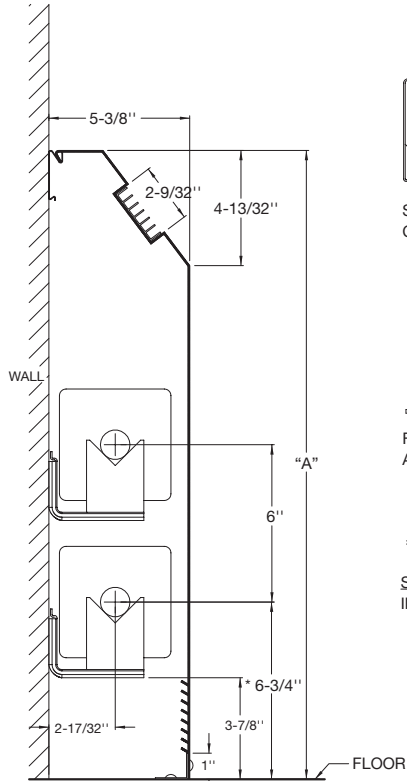


ENCLOSURES ARE AVAILABLE IN
1 FT. TO 8 FT. LENGTHS
IN 6 IN. INCREMENTS



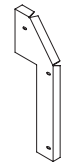
ACCESS DOOR
ALSO AVAILABLE
IN ENCLOSURE

ACCESSORIES

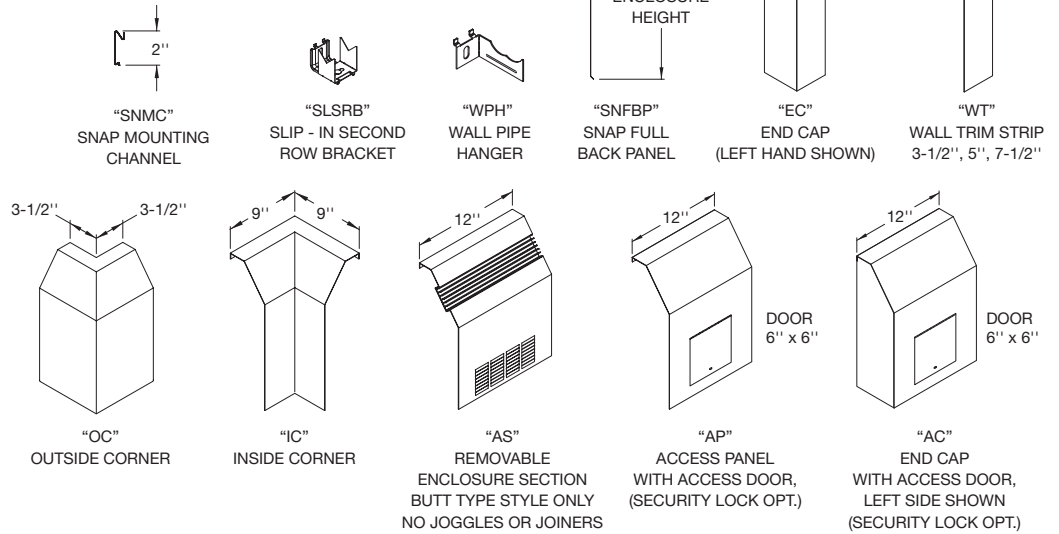


* CENTERLINES BASED ON 1" COPPER TUBE

| MODEL | PIPE SIZE | | FIN SIZE | A |
|--------|----------------|------------------|------------------|----|
| | STEEL | COPPER | | |
| SBGVL5 | N/A | 3/4", 1", 1-1/4" | 2-3/4" x 4" | 14 |
| | 1", 1-1/4" | 3/4", 1", 1-1/4" | 3-1/4", x 3-1/4" | 20 |
| | 1", 1-1/4", 2" | 3/4", 1", 1-1/4" | 4-1/4" x 4-1/4" | 24 |



"WS"
WALL TRIM SUPPORT



NOTE:
1) ALL ACCESSORIES OVERLAP (EXCEPT AS NOTED)
2) BUTT TYPE (INTERLOCKING) STYLE OPTIONAL (EXCEPT AS NOTED)
3) CONSULT FACTORY ON DAMPER AVAILABILITY



CONTRACTOR _____ ELEMENT _____
 ARCHITECT _____ RATING _____ BTU _____ A.W.T. _____ E.A.T. _____
 ENGINEER _____ BACKPLATE _____ FULL _____ PARTIAL _____
 REPRESENTATIVE _____ ENCL. GAUGE _____ MATERIAL _____
 LOCATION _____ COLOR _____ DAMPER _____

ZEHNDER RITTLING
100 RITTLING BLVD. • BUFFALO, NY USA 14220

JOB:

ENCLOSURE MODEL: **SBGVL5**

DATE: **January 2011**

DWG.NO.: **SBGVL5**