

Disconnect switch Unit Heater



120V, 15A

Single pole switch with grounded terminals, has a thermoplastic toggle and frame. It has a smooth, quiet toggle action and is made with high-impact resistant construction.

Features

- Side wire #12 and #14 AWG
- Push wire #14 AWG
- Tri-drive ground, terminal, and mounting screws
- Easy-access green hex head ground screw

Specifications

General

- Type: toggle
- Number of poles: 1-way
- Special features: self-grounding

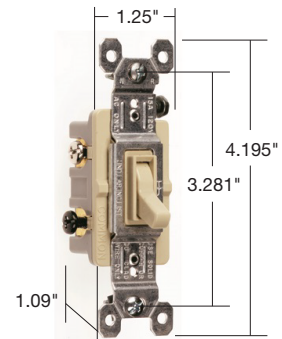
3rd party compliance

- CSA listing info: C22.2 111
- CSA standard: yes

- UL listing no: 20
- UL Standard: yes
- U N SPS C: 39121406

Technical information

- Amps: 15 Amp
- Volts: 120VAC



208/230/277V, 15A

Features

- One-piece brass alloy contact arm for reliable electrical performance
- One-piece steel strap with integral ground is plated for corrosion resistance
- High strength thermoplastic polycarbonate toggle resists breaking and chipping under heavy abuse
- Heavy-duty toggle bumpers for smooth and quiet operation
- Back body made of glass-reinforced nylon
- Locking support provides resistance to face and back body separation
- Available with side wire or external screw-pressure-plate back and side wire models capable of accepting #14 – #10 AWG copper or copper-clad wire
- Cam designed for fast make with positive break action to minimize arcing and prolong switch life
- Oversized silver alloy contacts for longer dependable switch life
- Tri-drive terminal and mounting screws

Specifications

General

- Type: toggle
- Double pole

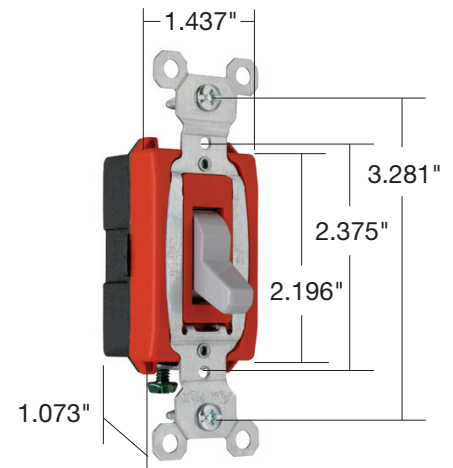
3rd party compliance

- CSA listing info: C22.2 111
- CSA standard: yes

- UL listing no: 20
- UL Standard: yes
- FSUL WS896

Technical information

- Amps: 15 Amp
- Volts: 120/277VAC



Disconnect switch Unit Heater

460/230V, 30A

Description

- Three pole, three phase switch, 30 amp, 600 volts

Specifications

General

- Number of poles: 3-way

3rd party compliance

- CSA listing info: C22.23 14
- CSA standard: yes

- UL listing no: 508
- UL Standard: yes
- UN SPS C: 39121507

Dimensions

- Depth: 1.753"
- Height: 2.375"
- Width: 1.825"

Technical information

- Amps: 30 Amp
- Volts: 600VAC
- Volts A C: 600

