

# Disconnect switch Cabinet Unit Heater



## 120V, 15A

Single pole switch with grounded terminals, has a thermoplastic toggle and frame. It has a smooth, quiet toggle action and is made with high-impact resistant construction.

### Features

- Side wire #12 and #14 AWG
- Push wire #14 AWG
- Tri-drive ground, terminal, and mounting screws
- Easy-access green hex head ground screw

### Specifications

#### General

- Type: toggle
- Number of poles: 1-way
- Special features: self-grounding

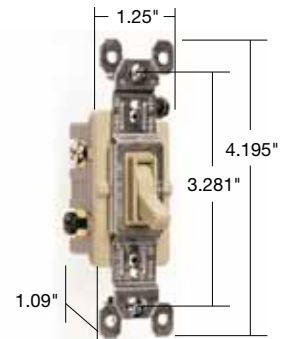
#### 3rd party compliance

- CSA listing info: C22.2 111
- CSA standard: yes

- UL listing no: 20
- UL Standard: yes
- U N SPS C: 39121406

#### Technical information

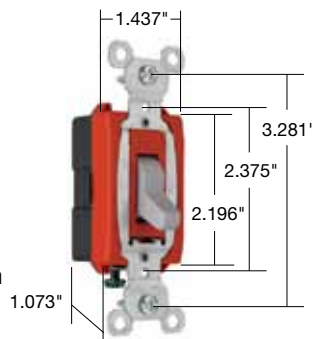
- Amps: 15 Amp
- Volts: 120VAC



## 208/230/277V, 30A

### Features

- One-piece nickel-plated brass strap for superior corrosion-resistance
- Cam control and spring actuator for positive “makes and breaks” with a minimum of arcing
- Heavy-duty bumpers for quiet, smooth operation
- Oversized silver-alloy contacts for long life and better heat dissipation
- Heavy-duty, brass alloy, one-piece contact arm virtually eliminates contact bounce
- Auto-ground clip assures positive ground
- Glass-reinforced nylon back body for durability & strength
- Side and external screw-pressure-plate back wire with #14 – #10 AWG copper or copper-clad wire
- Grounding terminal is standard with screw-pressure-plate back wire



### 3rd party compliance

- UL Listed, File Number E140597, Standard UL20, General Use Snap Switches
- Federal Specification WS896
- cULus Listed, File Number LR17446, Standard CSA-C22.2 No. 111, General Use Snap Switches
- Conforms to NEMA WD-1 and WD-6

### Performance

Electrical	
Dielectric withstand voltage	1500V minimum
Maximum working voltage	277VAC
Overload minimum	4.8 times rated current for 100 cycles
Temperature rise	30 °C maximum at rated current
Maximum continuous current	277VAC
Endurance	50,000 cycles min., resistive, inductive, tungsten filament lamp load (fed spec)
Mechanical	
Terminal accommodations	#14 AWG – #10 AWG
Environmental	
Flammability	UL94 V2
Operating temperature	Max. continuous +115 °C, min. -40 °C