

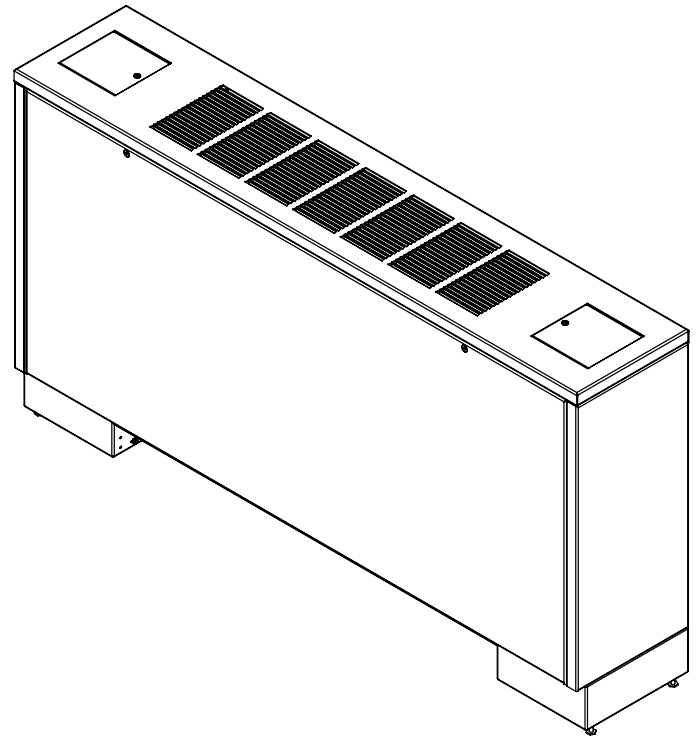
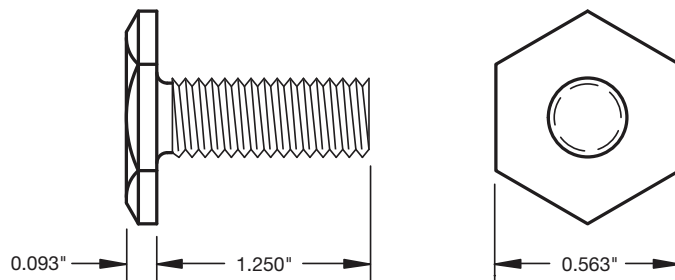
Leveling legs

Features

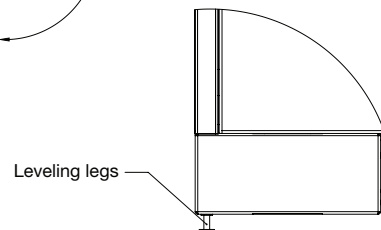
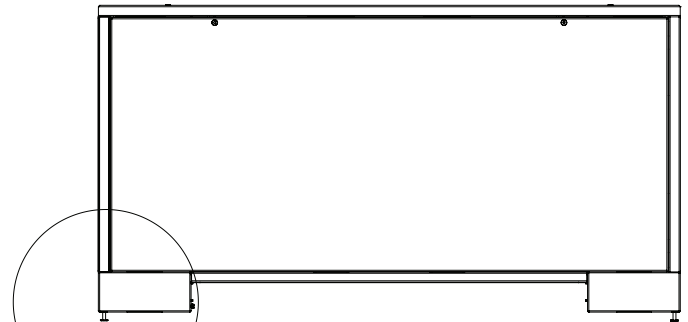
- Four optional leveling legs per unit allow for pitch adjustment and mounting on uneven surfaces
- One-piece construction leveling bolt
- Rolled threads extend full length for maximum adjustment
- Exposed base prevents dirt build-up and offers the advantage of easy cleaning
- Base is beveled to facilitate moving
- Easily adjusted with standard wrenches
- Available on models FF, FS, FLF, RF, RFI, RS and RSI

Specifications

- Leveling bolt length tolerance: + .00" to .06"
- Thread size: 1/4"-20



Model FF shown



Detail A
Scale 1:4