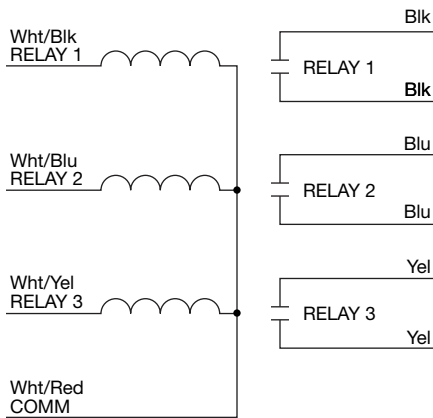


Relay pack

Enclosed relays 10 amp 3 SPST-N/O with 10-30 Vac/dc coil.



1. All relay coils use the same common
2. All relay coils 10-20Vac/dc

Specifications

relays and contact type

- Three (3) SPST continuous duty coil

Expected relay life

- 10 million cycles minimum mechanical

Operating temperature

- -30 to 140° F

Humidity range

- 5 to 95% (noncondensing)

Operate time

- 20mS

Relay status

- LED On = Activated

Dimensions

- 4.00" x 4.00" x 1.80" with .50" NPT nipple

Wires

- 16", 600V Rated

Approvals

- UL Listed, UL916, UL864, C-UL
- California State Fire Marshal, CE, RoHS

Housing rating

- UL Accepted for Use in Plenum, NEMA 1

Gold flash

- Yes

Override switch

- No

Contact ratings

- 10 amp resistive @ 277 Vac
- 10 amp resistive @ 28 Vdc
- 480 VA pilot duty @ 240-277 Vac
- 480 VA ballast @ 277 Vac
- Not rated for electronic ballast
- 600 watt tungsten @ 120 Vac (N/O)
- 240 watt tungsten @ 120 Vac (N/C)
- 1/3 HP @ 120-240 Vac (N/O)
- 1/6 HP @ 120-240 Vac (N/C)
- 1/4 HP @ 277 Vac (N/O)
- 1/8 HP @ 277 Vac (N/C)

Coil current

- 33 mA @ 10 Vac
- 35 mA @ 12 Vac
- 46 mA @ 24 Vac
- 55 mA @ 30 Vac
- 13 mA @ 10 Vdc
- 15 mA @ 12 Vdc
- 18 mA @ 24 Vdc
- 20 mA @ 30 Vdc

Coil voltage input

- 10-30 Vac/dc; 50-60 Hz
- Drop out = 2.1 Vac/2.8 Vdc
- Pull in = 9 Vac/10 Vdc

