

2-SIDED PIPE ENCLOSURE

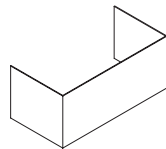
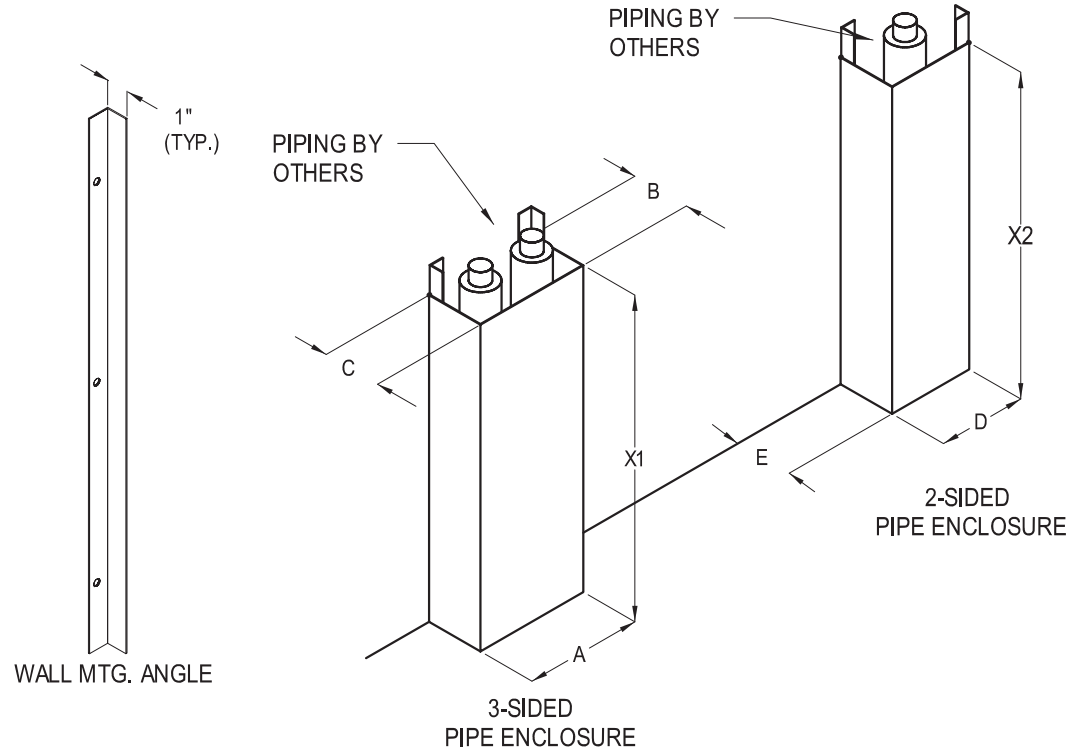
QUANTITY	E	D	X2	METAL GAUGE	COLOR	INTERLOCKING ENCLOSURE
						YES / NO
						YES / NO
						YES / NO
						YES / NO
						YES / NO

3-SIDED PIPE ENCLOSURE

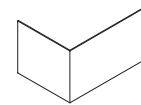
QUANTITY	A	B	C	X1	METAL GAUGE	COLOR	INTERLOCKING ENCLOSURE
							YES / NO
							YES / NO
							YES / NO
							YES / NO
							YES / NO

* THE MAXIMUM LENGTH, (DIMENSION "X1, X2") IS 8 FEET FOR A SINGLE PIECE.

** DIMENSION "A" MUST BE EQUAL TO OR LARGER THAN DIMENSIONS "B" AND "C".



3-SIDED WALL OR CEILING TRIM



2-SIDED WALL OR CEILING TRIM

NOTE:

- 1) ALL ACCESSORIES OVERLAP (EXCEPT AS NOTED)
- 2) INTERLOCKING STYLE OPTIONAL (EXCEPT AS NOTED)



CONTRACTOR _____	ELEMENT _____
ARCHITECT _____	RATING _____ BTU _____ A.W.T. _____ E.A.T. _____
ENGINEER _____	BACKPLATE _____ FULL _____ PARTIAL _____
REPRESENTATIVE _____	ENCL. GAUGE _____ MATERIAL _____
LOCATION _____	COLOR _____ DAMPER _____

ZEHNDER RITTLING
BUFFALO, NY 14220



JOB:	
ENCLOSURE MODEL:	VERTICAL PIPE ENCLOSURE
DATE:	DWG.NO. VERTICAL PIPE ENCLOSURE