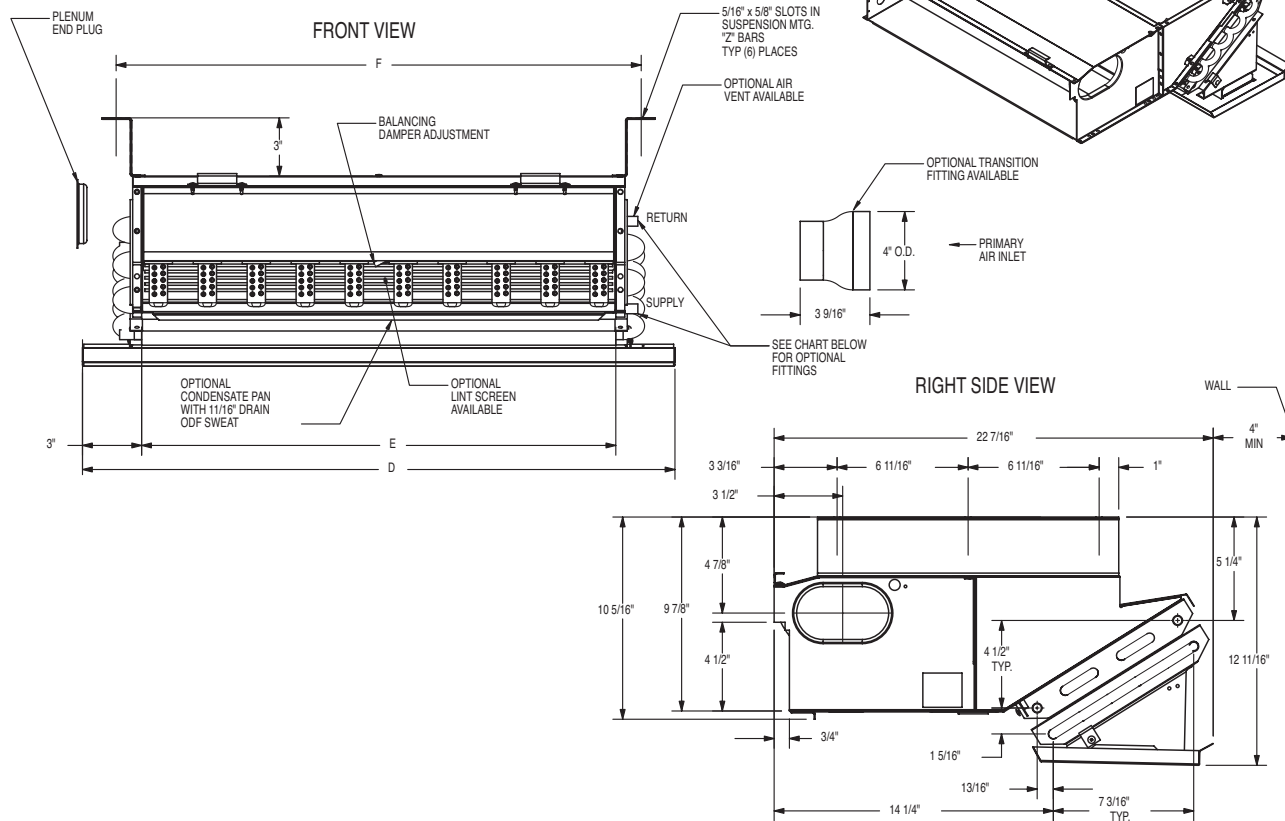


# Rittling Induction Unit Submittal Data



Model H4C

Dimensions and data



Unit Size (H4C)	24"	32"	40"	52"
Dimensions (in.) Drain pan (D)	30-1/4"	38-1/4"	46-1/4"	58-1/4"
Nom. coil (E)	24-1/8"	32"	40"	52"
Z Bar (F)	27-1/8"	35"	43"	55"
Min. free areas (sq. in.) Discharge grille	81	108	135	175
Recirculation grille	234	288	343	439
Approx. shipping weight (LB)	38	57	59	73

Optional fittings	
Code digit #8	Description
0	1/2" ODF sweat fitting
1	1/2" ODF sweat fitting w/vent
2	1/2" ODM flare fitting
3	1/2" ODM flare fitting w/vent

**Description:**

- The H4C is shipped from the factory with the following:
- Acoustically designed plenum and nozzles as specified
  - Two 6-tube coils with copper tubes and aluminum fins
  - Condensate pan as specified
  - Two Z brackets for mounting unit to a rigid flat horizontal surface
  - Coil connections as specified
  - Hardware kit includes:
    - (8) Mounting screws
    - (8) Tinnerman nuts
    - (1) Lint screen clip

- Notes:**
- Condensate connection mounted same side as coil connection
  - Four inch minimum distance from wall required to obtain rated capacity; 8-1/2" minimum for screen removal
  - Shipping weight includes packaging

All listed dimensions are approximate and are subject to change without notice. Modifications to the product specifications must be accepted by Zehnder at its base office.

Revised December 5, 2018. Zehnder Rittling periodically makes changes to the design and/or specifications of its products. As a result, the design and specifications of each product at the time of order may be different than as described herein. Please contact Zehnder Rittling's Sales Support staff at 716-827-6510 for specific information on current design and specifications. Designs, specifications and other information contained herein are not express warranties, which are only as expressly set forth by Zehnder Rittling in its terms and conditions of sale. The latest version of this document is available at [www.zehnder-rittling.com](http://www.zehnder-rittling.com).

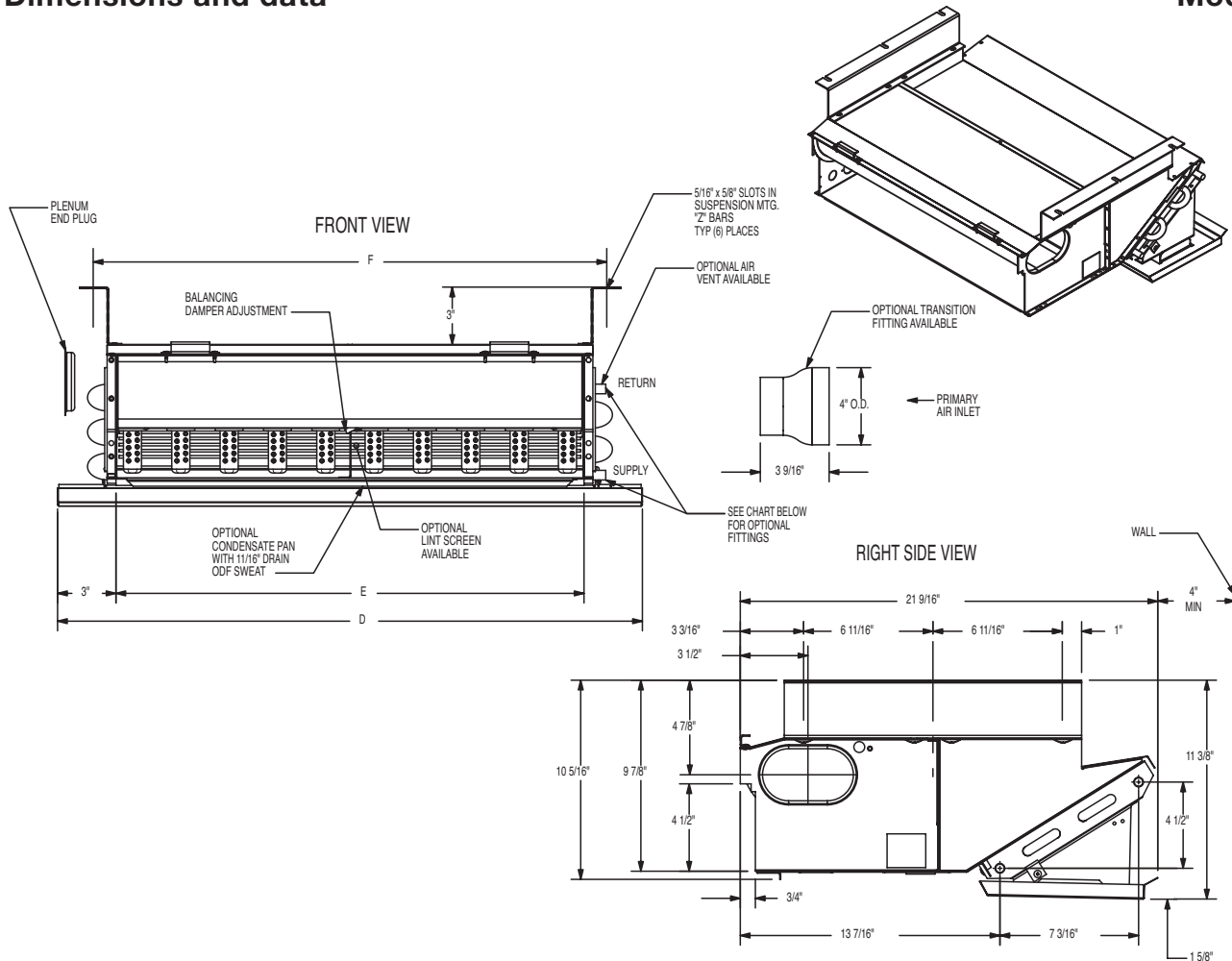
Zehnder Rittling · 100 Rittling Blvd. · Buffalo, NY USA 14220  
 T 716-827-6510 · F 716-218-2805 · [sales@zehnder-rittling.com](mailto:sales@zehnder-rittling.com) · [www.zehnder-rittling.com](http://www.zehnder-rittling.com)  
 © Zehnder Rittling December 2018, English, subject to change without notice

# Rittling Induction Unit Submittal Data



Model HC

Dimensions and data



Unit Size (HC)	24"	32"	40"	52"
Dimensions (in.) Drain pan (D)	30-1/4"	38-1/4"	46-1/4"	58-1/4"
Nom. coil (E)	24-1/8"	32"	40"	52"
Z Bar (F)	27-1/8"	35"	43"	55"
Min. free areas (sq. in.) Discharge grille	81	108	135	175
Recirculation grille	234	288	343	439
Approx. shipping weight (LB)	36	45	52	64

- Notes:**
- Condensate connection mounted same side as coil connection
  - Four inch minimum distance from wall required to obtain rate capacity; 8-1/2" minimum for screen removal
  - Shipping weight includes packaging

Optional fittings	
Code digit #8	Description
0	1/2" ODF sweat fitting
1	1/2" ODF sweat fitting w/vent
2	1/2" ODM flare fitting
3	1/2" ODM flare fitting w/vent

- Description:**  
The HC is shipped from the factory with the following:
- Acoustically designed plenum and nozzles as specified
  - One 6-tube coil with copper tubes and aluminum fins
  - Condensate pan as specified
  - Two Z brackets for mounting unit to a rigid flat horizontal surface
  - Coil connections as specified
  - Hardware kit includes:
    - (8) Mounting screws
    - (8) Tinnerman nuts
    - (1) Lint screen clip

All listed dimensions are approximate and are subject to change without notice. Modifications to the product specifications must be accepted by Zehnder at its base office.

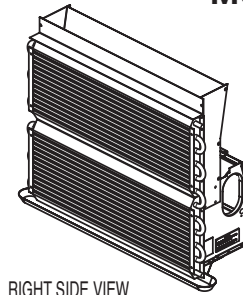
Revised December 5, 2018. Zehnder Rittling periodically makes changes to the design and/or specifications of its products. As a result, the design and specifications of each product at the time of order may be different than as described herein. Please contact Zehnder Rittling's Sales Support staff at 716-827-6510 for specific information on current design and specifications. Designs, specifications and other information contained herein are not express warranties, which are only as expressly set forth by Zehnder Rittling in its terms and conditions of sale. The latest version of this document is available at [www.zehnder-rittling.com](http://www.zehnder-rittling.com).

# Rittling Induction Unit Submittal Data

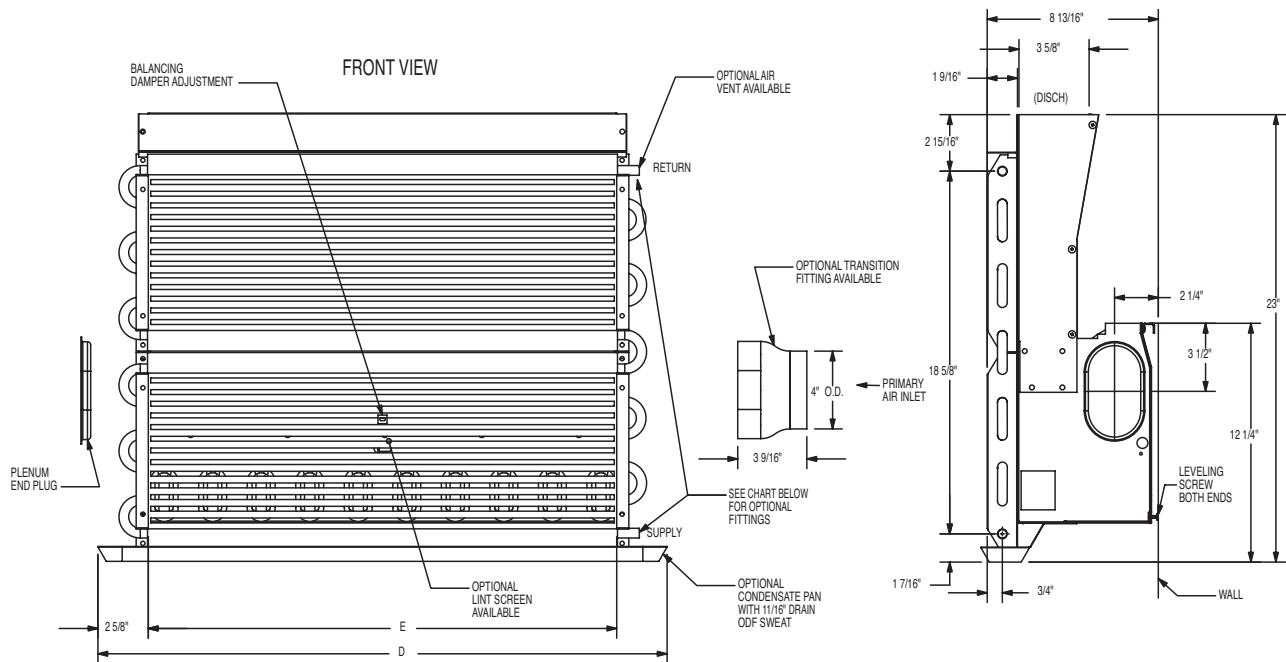
**zehnder**

Dimensions and data

**Model V2H**



RIGHT SIDE VIEW



Unit Size (V2H)	24"	32"	40"	52"
Dimensions (in.) Drain pan (D)	29-1/2"	37-1/2"	45-1/2"	57-1/2"
Nom. coil (E)	24-1/8"	32"	40"	52"
Z Bar (F)	3 Inches			
Min. free areas (sq. in.) Discharge grille	81	108	135	175
Recirculation grille	473	630	788	1023
Approx. shipping weight (LB)	35	43	52	66

Optional fittings	
Code digit #8	Description
0	1/2" ODF sweat fitting
1	1/2" ODF sweat fitting w/vent
2	1/2" ODM flare fitting
3	1/2" ODM flare fitting w/vent

**Description:**

The V2H is shipped from the factory with the following:

- Acoustically designed plenum and nozzles as specified
- One 12-tube coil with copper tubes and aluminum fins
- Condensate pan as specified
- Coil connections as specified
- Recovery stack and drain pan assembled and ready for wall mounting
- Hardware kit includes:
  - (2) Leveling screws
  - (2) Leveling screw clips
  - (4) Lint screen clips
  - (2) Coil condensate plates with clips

**Notes:**

- Condensate connection mounted same side as coil connection
- Shipping weight includes packaging

All listed dimensions are approximate and are subject to change without notice. Modifications to the product specifications must be accepted by Zehnder at its base office.

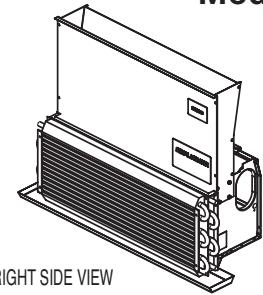
Revised December 5, 2018. Zehnder Rittling periodically makes changes to the design and/or specifications of its products. As a result, the design and specifications of each product at the time of order may be different than as described herein. Please contact Zehnder Rittling's Sales Support staff at 716-827-6510 for specific information on current design and specifications. Designs, specifications and other information contained herein are not express warranties, which are only as expressly set forth by Zehnder Rittling in its terms and conditions of sale. The latest version of this document is available at [www.zehnder-rittling.com](http://www.zehnder-rittling.com).

Zehnder Rittling · 100 Rittling Blvd. · Buffalo, NY USA 14220  
 T 716-827-6510 · F 716-218-2805 · [sales@zehnder-rittling.com](mailto:sales@zehnder-rittling.com) · [www.zehnder-rittling.com](http://www.zehnder-rittling.com)  
 © Zehnder Rittling December 2018, English, subject to change without notice

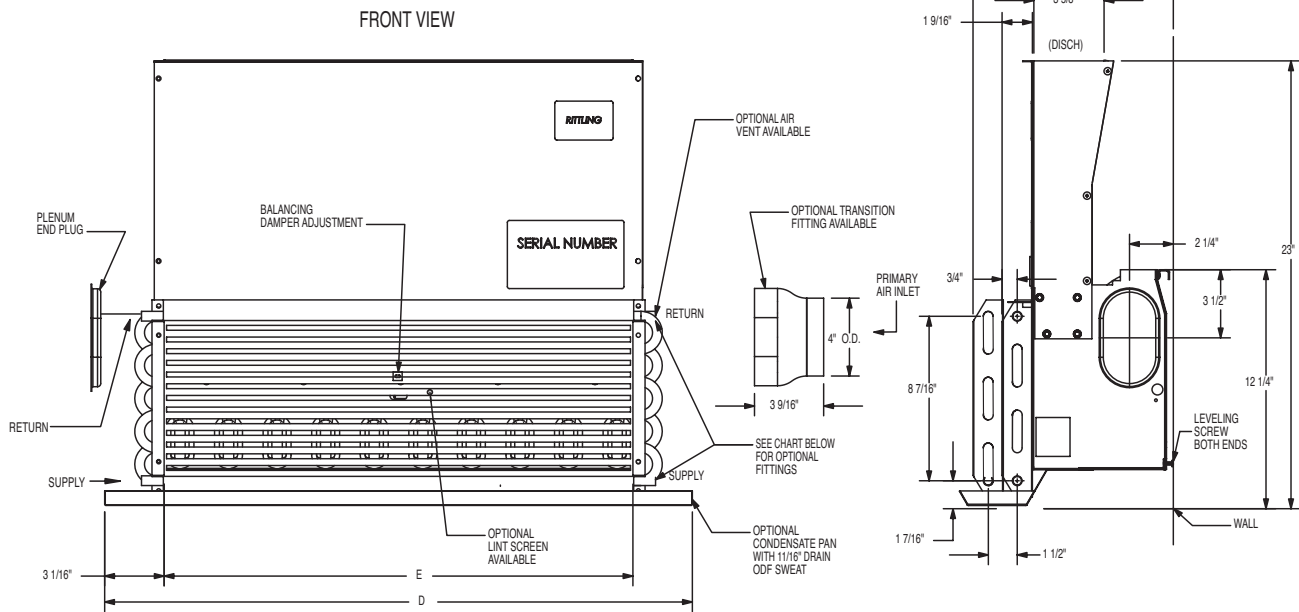
# Rittling Induction Unit Submittal Data

Dimensions and data

**Model V4H**



RIGHT SIDE VIEW



Unit Size (V4H)	24"	32"	40"	52"
Dimensions (in.) Drain pan (D)	29-1/2"	37-1/2"	45-1/2"	57-1/2"
Nom. coil (E)	24-1/8"	32"	40"	52"
Min. free areas (sq. in.) Discharge grille	81	108	135	175
Recirculation grille	237	315	394	512
Approx. shipping weight (LB)	37	45	55	70

Optional fittings	
Code digit #8	Description
0	1/2" ODF sweat fitting
1	1/2" ODF sweat fitting w/vent
2	1/2" ODM flare fitting
3	1/2" ODM flare fitting w/vent

**Description:**

The V4H shipped from the factory with the following:

- Acoustically designed plenum and nozzles as specified
- Two 6-tube coil with copper tubes and aluminum fins
- Condensate pan as specified
- Coil connections as specified
- Recovery stack and drain pan, assembled ready for wall mounting
- Hardware kit includes:
  - (2) Leveling screws
  - (2) Leveling screw clips
  - (4) Lint screen clips
  - (2) Coil condensate plates with clips

**Notes:**

- Condensate connection mounted same side as cooling coil connection
- Shipping weight includes packaging
- Orientation of coil connections to be determined
- Inner coil is always for cooling and determines whether it is RH or LH connections. Heating coil connections are opposite of cooling connections

All listed dimensions are approximate and are subject to change without notice. Modifications to the product specifications must be accepted by Zehnder at its base office.

Revised December 5, 2018. Zehnder Rittling periodically makes changes to the design and/or specifications of its products. As a result, the design and specifications of each product at the time of order may be different than as described herein. Please contact Zehnder Rittling's Sales Support staff at 716-827-6510 for specific information on current design and specifications. Designs, specifications and other information contained herein are not express warranties, which are only as expressly set forth by Zehnder Rittling in its terms and conditions of sale. The latest version of this document is available at [www.zehnder-rittling.com](http://www.zehnder-rittling.com).

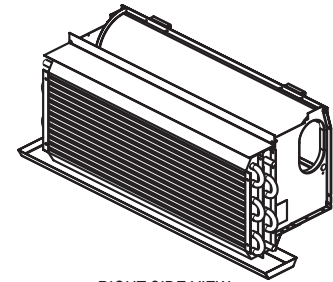
Zehnder Rittling · 100 Rittling Blvd. · Buffalo, NY USA 14220  
 T 716-827-6510 · F 716-218-2805 · [sales@zehnder-rittling.com](mailto:sales@zehnder-rittling.com) · [www.zehnder-rittling.com](http://www.zehnder-rittling.com)  
 © Zehnder Rittling December 2018, English, subject to change without notice

# Rittling Induction Unit Submittal Data

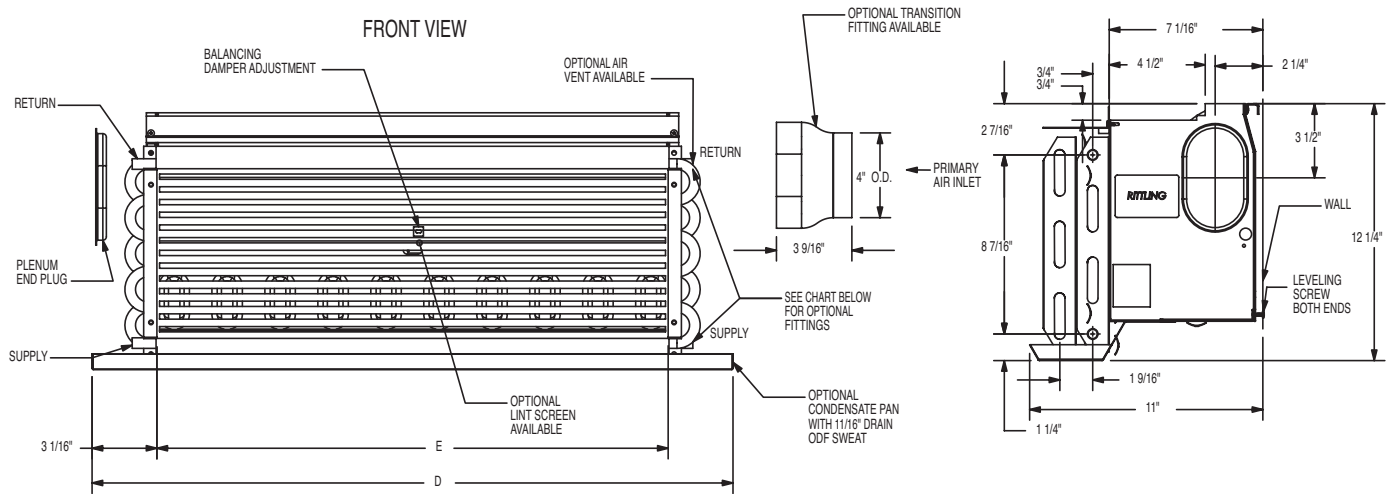
**zehnder**

**Model V4L**

Dimensions and data



RIGHT SIDE VIEW



Unit Size (V4L)	24"	32"	40"	52"
Dimensions (in.) Drain pan (D)	29-1/2"	37-1/2"	45-1/2"	57-1/2"
Nom. coil (E)	24-1/8"	32"	40"	52"
Min. free areas (sq. in.) Discharge grille	81	108	135	175
Recirculation grille	124	165	206	269
Approx. shipping weight (LB)	26	31	36	47

Optional fittings	
Code digit #8	Description
0	1/2" ODF sweat fitting
1	1/2" ODF sweat fitting w/vent
2	1/2" ODM flare fitting
3	1/2" ODM flare fitting w/vent

**Description:**

The V4L is shipped from the factory with the following:

- Acoustically designed plenum and nozzles as specified
- Two 6-tube coils with copper tubes and aluminum fins
- Condensate pan as specified
- Coil connections as specified
- Hardware kit includes:
  - (2) Leveling screws
  - (2) Leveling screw clips
  - (4) Lint screen clips
  - (2) Coil condensate plates with clips

**Notes:**

- Condensate connection mounted same side as cooling coil connection
- Shipping weight includes packaging
- Orientation of coil connections to be determined
- Inner coil is always for cooling and determines whether it is RH or LH connections. Heating coil connections are opposite of cooling connections

All listed dimensions are approximate and are subject to change without notice. Modifications to the product specifications must be accepted by Zehnder at its base office.

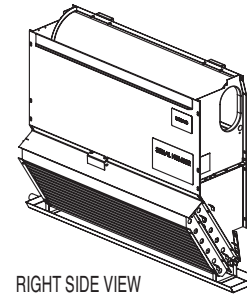
Revised December 5, 2018. Zehnder Rittling periodically makes changes to the design and/or specifications of its products. As a result, the design and specifications of each product at the time of order may be different than as described herein. Please contact Zehnder Rittling's Sales Support staff at 716-827-6510 for specific information on current design and specifications. Designs, specifications and other information contained herein are not express warranties, which are only as expressly set forth by Zehnder Rittling in its terms and conditions of sale. The latest version of this document is available at [www.zehnder-rittling.com](http://www.zehnder-rittling.com).

Zehnder Rittling · 100 Rittling Blvd. · Buffalo, NY USA 14220  
 T 716-827-6510 · F 716-218-2805 · [sales@zehnder-rittling.com](mailto:sales@zehnder-rittling.com) · [www.zehnder-rittling.com](http://www.zehnder-rittling.com)  
 © Zehnder Rittling December 2018, English, subject to change without notice

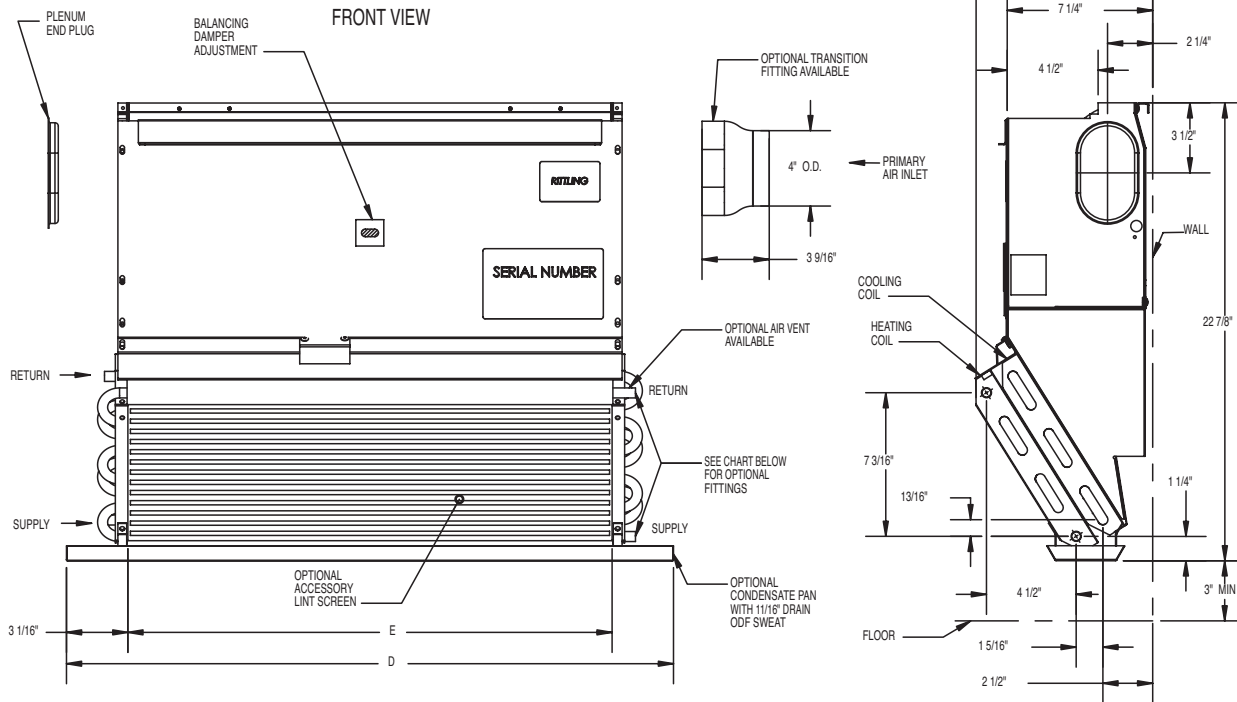
# Rittling Induction Unit Submittal Data

Dimensions and data

**Model V4W**



RIGHT SIDE VIEW



Unit Size (V4W)	24"	32"	40"	52"
Dimensions (in.) Drain pan (D)	29-3/8"	37-3/8"	45-3/8"	57-3/8"
Nom. coil (E)	24-1/8"	32"	40"	52"
Min. height from floor	3 Inches			
Min. free areas (sq. in.) Discharge grille	81	108	135	175
Recirculation grille	237	315	394	512
Approx. shipping weight (LB)	37	47	55	69

Optional fittings	
Code digit #8	Description
0	1/2" ODF sweat fitting
1	1/2" ODF sweat fitting w/vent
2	1/2" ODM flare fitting
3	1/2" ODM flare fitting w/vent

**Description:**

The V4W is shipped from the factory with the following:

- Acoustically designed plenum and nozzles as specified
- One 6-tube coil with copper tubes and aluminum fins
- Condensate pan as specified
- Coil connections as specified
- Hardware kit includes:

- (2) Leveling screws
- (2) Leveling screw clips
- (4) Lint screen clips
- (2) Coil condensate plates with clips

**Notes:**

- Condensate connection mounted same side as cooling coil connection
- Shipping weight includes packaging
- Orientation of coil connections to be determined
- Inner coil is always for cooling and determines whether it is RH or LH connections. Heating coil connections are opposite of cooling connections

All listed dimensions are approximate and are subject to change without notice. Modifications to the product specifications must be accepted by Zehnder at its base office.

Revised December 5, 2018. Zehnder Rittling periodically makes changes to the design and/or specifications of its products. As a result, the design and specifications of each product at the time of order may be different than as described herein. Please contact Zehnder Rittling's Sales Support staff at 716-827-6510 for specific information on current design and specifications. Designs, specifications and other information contained herein are not express warranties, which are only as expressly set forth by Zehnder Rittling in its terms and conditions of sale. The latest version of this document is available at [www.zehnder-rittling.com](http://www.zehnder-rittling.com).

Zehnder Rittling · 100 Rittling Blvd. · Buffalo, NY USA 14220

T 716-827-6510 · F 716-218-2805 · [sales@zehnder-rittling.com](mailto:sales@zehnder-rittling.com) · [www.zehnder-rittling.com](http://www.zehnder-rittling.com)

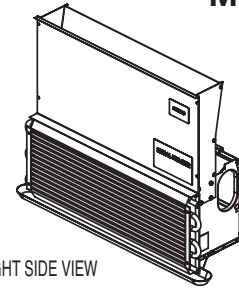
© Zehnder Rittling December 2018, English, subject to change without notice

# Rittling Induction Unit Submittal Data

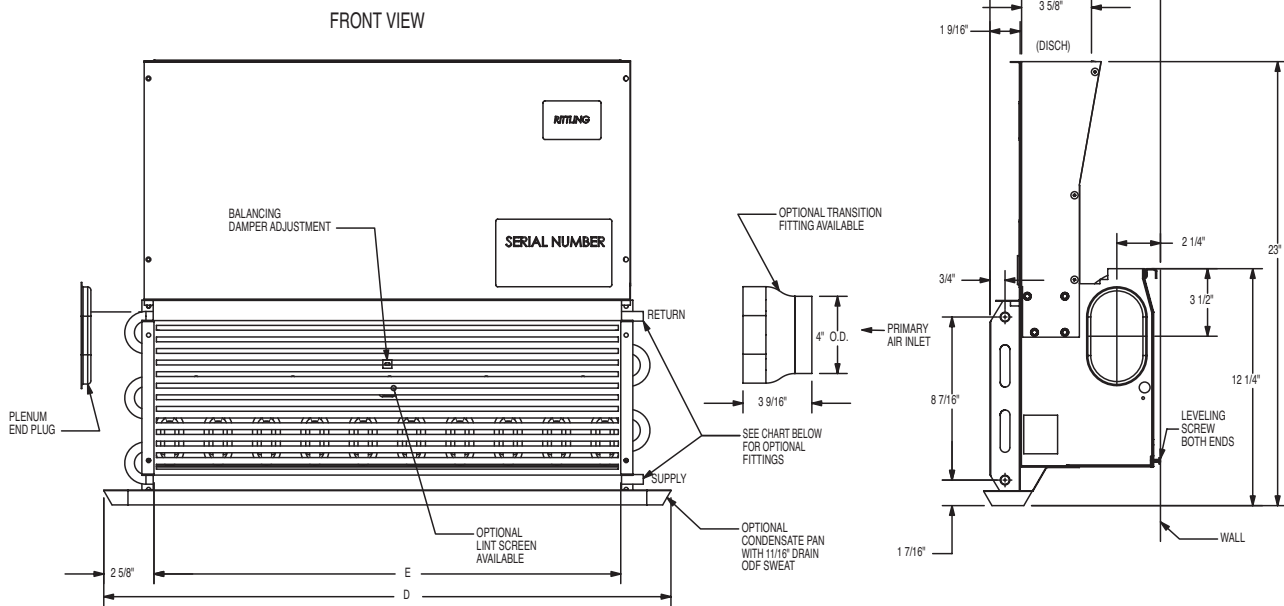
**zehnder**

Dimensions and data

**Model VH**



RIGHT SIDE VIEW



Unit Size (VH)	24"	32"	40"	52"
Dimensions (in.) Drain pan (D)	29-1/2"	37-1/2"	45-1/2"	57-1/2"
Nom. coil (E)	24-1/8"	32"	40"	52"
Min. height from floor	3 Inches			
Min. free areas (sq. in.) Discharge grille	81	108	135	175
Recirculation grille	237	315	394	512
Approx. shipping weight (LB)	32	40	48	61

Optional fittings	
Code digit #8	Description
0	1/2" ODF sweat fitting
1	1/2" ODF sweat fitting w/vent
2	1/2" ODM flare fitting
3	1/2" ODM flare fitting w/vent

**Description:**

- The VH is shipped from the factory with the following:
- Acoustically designed plenum and nozzles as specified
  - One 6-tube coil with copper tubes and aluminum fins
  - Condensate pan as specified
  - Coil connections as specified
  - Recovery stack and drain pan, assembled and ready for wall mounting
  - Hardware kit includes:
    - (2) Leveling screws
    - (2) Leveling screw clips
    - (4) Lint screen clips
    - (2) Coil condensate plates with clips

- Notes:**
- Condensate connection mounted same side as coil connection
  - Shipping weight includes packaging

All listed dimensions are approximate and are subject to change without notice. Modifications to the product specifications must be accepted by Zehnder at its base office.

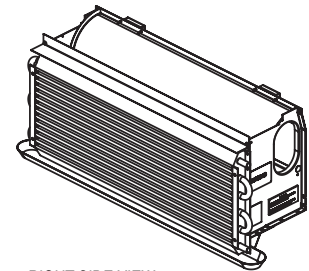
Revised December 5, 2018. Zehnder Rittling periodically makes changes to the design and/or specifications of its products. As a result, the design and specifications of each product at the time of order may be different than as described herein. Please contact Zehnder Rittling's Sales Support staff at 716-827-6510 for specific information on current design and specifications. Designs, specifications and other information contained herein are not express warranties, which are only as expressly set forth by Zehnder Rittling in its terms and conditions of sale. The latest version of this document is available at [www.zehnder-rittling.com](http://www.zehnder-rittling.com).

Zehnder Rittling · 100 Rittling Blvd. · Buffalo, NY USA 14220  
 T 716-827-6510 · F 716-218-2805 · [sales@zehnder-rittling.com](mailto:sales@zehnder-rittling.com) · [www.zehnder-rittling.com](http://www.zehnder-rittling.com)  
 © Zehnder Rittling December 2018, English, subject to change without notice

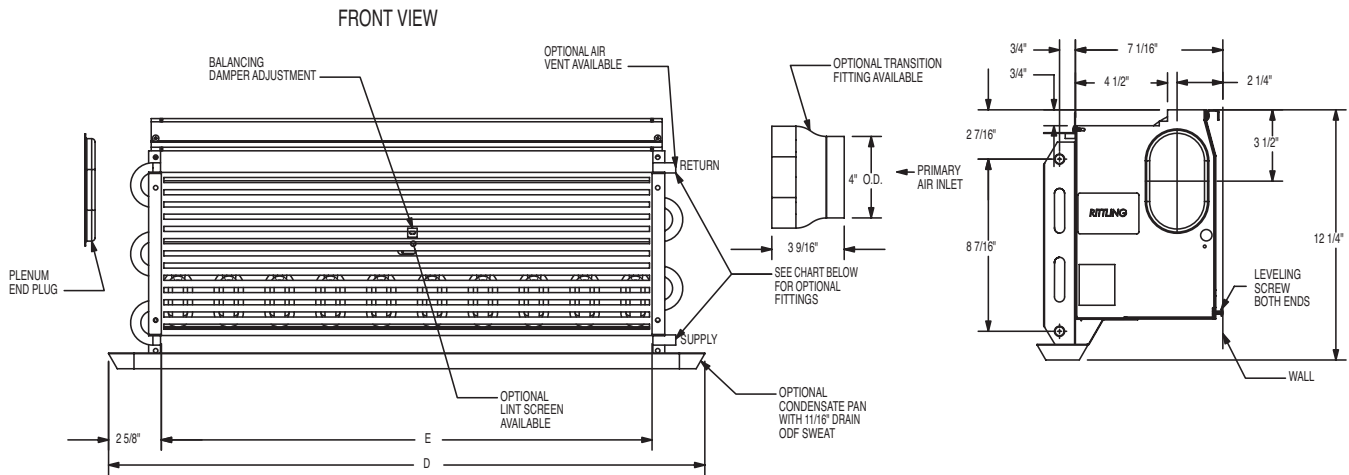
# Rittling Induction Unit Submittal Data

Dimensions and data

Model VL



RIGHT SIDE VIEW



Unit Size (VL)	24"	32"	40"	52"
Dimensions (in.) Drain pan (D)	29-1/2"	37-1/2"	45-1/2"	57-1/2"
Nom. coil (E)	24-1/8"	32"	40"	52"
Min. free areas (sq. in.) Discharge grille	81	108	135	175
Recirculation grille	124	165	206	269
Approx. shipping weight (LB)	21	26	31	38

Optional fittings	
Code digit #8	Description
0	1/2" ODF sweat fitting
1	1/2" ODF sweat fitting w/vent
2	1/2" ODM flare fitting
3	1/2" ODM flare fitting w/vent

**Description:**

The VL is shipped from the factory with the following:

- Acoustically designed plenum and nozzles as specified
- One 6-tube coil with copper tubes and aluminum fins
- Condensate pan as specified
- Coil connections as specified
- Hardware kit includes:

- (2) Leveling screws
- (2) Leveling screw clips
- (4) Lint screen clips
- (2) Coil condensate plates with clips

**Notes:**

- Condensate connection mounted same side as coil connection
- Shipping weight includes packaging

All listed dimensions are approximate and are subject to change without notice. Modifications to the product specifications must be accepted by Zehnder at its base office.

Revised December 5, 2018. Zehnder Rittling periodically makes changes to the design and/or specifications of its products. As a result, the design and specifications of each product at the time of order may be different than as described herein. Please contact Zehnder Rittling's Sales Support staff at 716-827-6510 for specific information on current design and specifications. Designs, specifications and other information contained herein are not express warranties, which are only as expressly set forth by Zehnder Rittling in its terms and conditions of sale. The latest version of this document is available at [www.zehnder-rittling.com](http://www.zehnder-rittling.com).

Zehnder Rittling · 100 Rittling Blvd. · Buffalo, NY USA 14220

T 716-827-6510 · F 716-218-2805 · [sales@zehnder-rittling.com](mailto:sales@zehnder-rittling.com) · [www.zehnder-rittling.com](http://www.zehnder-rittling.com)

© Zehnder Rittling December 2018, English, subject to change without notice

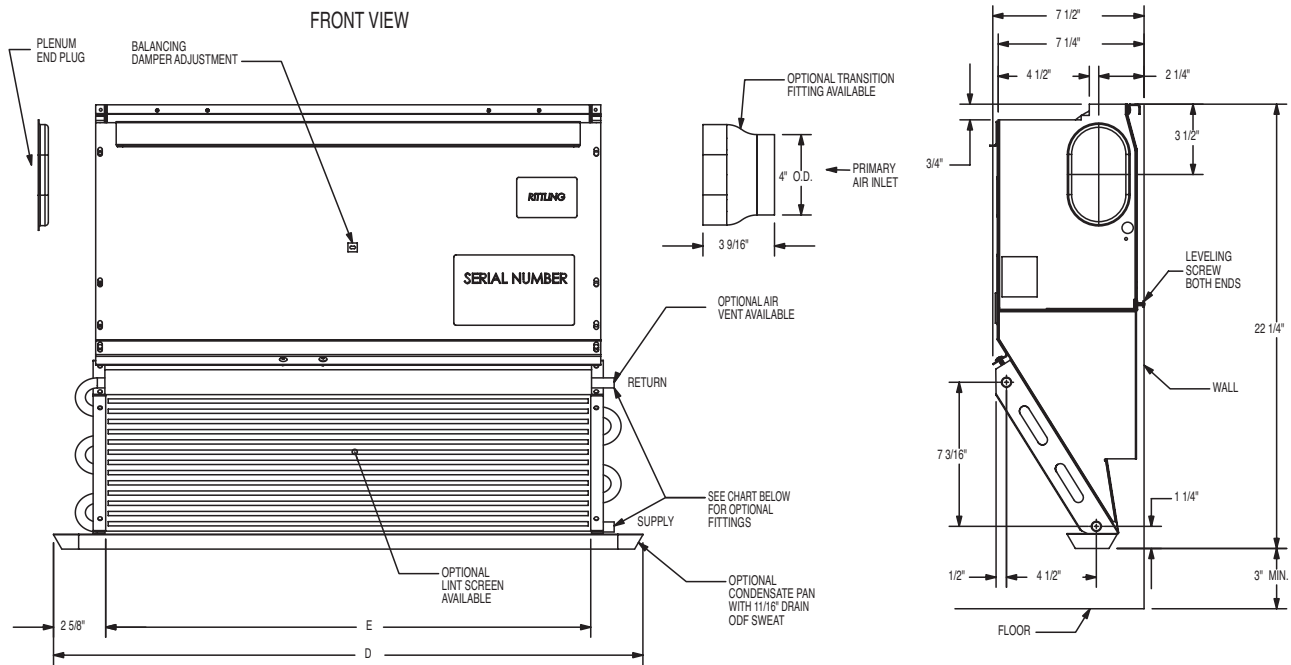


# Rittling Induction Unit Submittal Data

**zehnder**

Dimensions and data

**Model VW**



Unit Size (VW)	24"	32"	40"	52"
Dimensions (in.) Drain pan (D)	29-1/2"	37-1/2"	45-1/2"	57-1/2"
Nom. coil (E)	24-1/8"	32"	40"	52"
Min. height from floor	3 Inches			
Min. free areas (sq. in.) Discharge grille	81	108	135	175
Recirculation grille	234	288	343	439
Approx. shipping weight (LB)	31	40	46	57

- Notes:**
- Condensate connection mounted same side as coil connection
  - Shipping weight includes packaging

Optional fittings	
Code digit #8	Description
0	1/2" ODF sweat fitting
1	1/2" ODF sweat fitting w/vent
2	1/2" ODM flare fitting
3	1/2" ODM flare fitting w/vent

**Description:**

- The VW is shipped from the factory with the following:
- Acoustically designed plenum and nozzles as specified
  - One 6-tube coil with copper tubes and aluminum fins
  - Condensate pan as specified
  - Coil connections as specified
  - Drain pan, assembled and ready for wall mounting
  - Hardware kit includes:
    - (2) Leveling screws
    - (2) Leveling screw clips
    - (4) Lint screen clips
    - (2) Coil condensate plates with clips

All listed dimensions are approximate and are subject to change without notice. Modifications to the product specifications must be accepted by Zehnder at its base office.

**Revised December 5, 2018.** Zehnder Rittling periodically makes changes to the design and/or specifications of its products. As a result, the design and specifications of each product at the time of order may be different than as described herein. Please contact Zehnder Rittling's Sales Support staff at 716-827-6510 for specific information on current design and specifications. Designs, specifications and other information contained herein are not express warranties, which are only as expressly set forth by Zehnder Rittling in its terms and conditions of sale. The latest version of this document is available at [www.zehnder-rittling.com](http://www.zehnder-rittling.com).

Zehnder Rittling · 100 Rittling Blvd. · Buffalo, NY USA 14220  
 T 716-827-6510 · F 716-218-2805 · [sales@zehnder-rittling.com](mailto:sales@zehnder-rittling.com) · [www.zehnder-rittling.com](http://www.zehnder-rittling.com)  
 © Zehnder Rittling December 2018, English, subject to change without notice