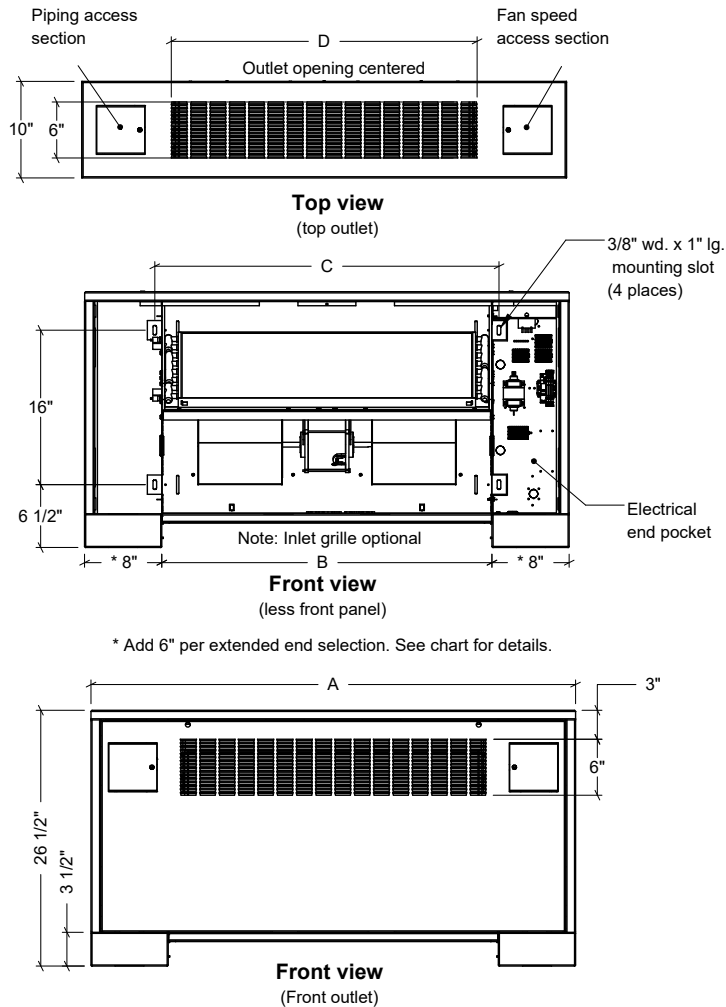


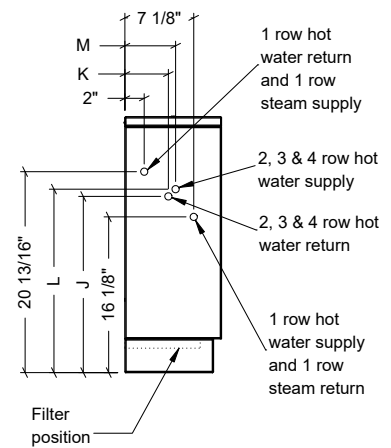
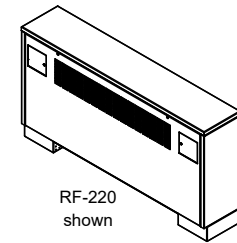
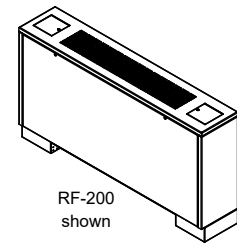
# Rittling Cabinet Unit Heater Submittal Data



## Dimensions and data



## Models RF and RFI



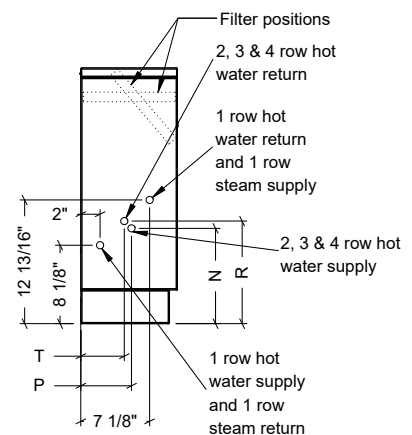
Side view: Model RF

### Dimensional data

Unit size	A			B	C	D
	Std.	6" Ext.	6" Ext. x2			
02	38-3/16	44-3/16	50-3/16	22-3/16	24	20
03	44-3/16	50-3/16	56-3/16	28-3/16	30	26
04	50-3/16	56-3/16	62-3/16	34-3/16	36	32
06	62-3/16	68-3/16	74-3/16	46-3/16	48	44
08	68-3/16	74-3/16	80-3/16	52-3/16	54	50
10	76-3/16	82-3/16	88-3/16	60-3/16	62	58
12	86-3/16	92-3/16	98-3/16	70-3/16	72	68

### Notes:

- 1 and 2 row coil supply and return 1/2" nominal (5/8" OD) all sizes
- Inlet grill optional
- Unit shown with left hand piping connections and right hand electrical connections as standard
- Right hand piping connections with left hand electrical connections available as an option
- Piping hand determined when facing the air outlet
- All listed dimensions are approximate and are subject to change without notice
- Modifications to the product specifications must be accepted by Zehnder at its base office
- See [www.zehnder-rittling.com](http://www.zehnder-rittling.com) for any recent updates or changes



Side view: Model RFI

Revised June 1, 2018. Zehnder Rittling periodically makes changes to the design and/or specifications of its products. As a result, the design and specifications of each product at the time of order may be different than as described herein. Please contact Zehnder Rittling's Sales Support staff at 716-827-6510 for specific information on current design and specifications. Designs, specifications and other information contained herein are not express warranties, which are only as expressly set forth by Zehnder Rittling in its terms and conditions of sale. The latest version of this document is available at [www.zehnder-rittling.com](http://www.zehnder-rittling.com).

Zehnder Rittling · 100 Rittling Blvd. · Buffalo, NY USA 14220

T 716-827-6510 · F 716-218-2805 · [sales@zehnder-rittling.com](mailto:sales@zehnder-rittling.com) · [www.zehnder-rittling.com](http://www.zehnder-rittling.com)

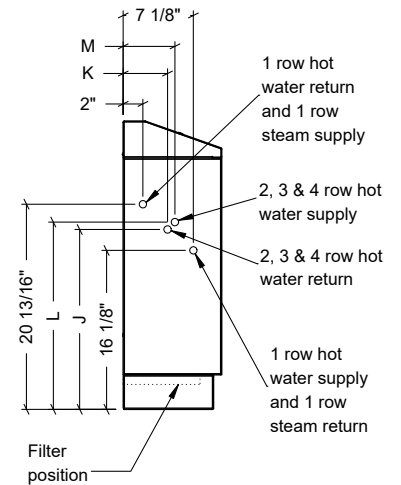
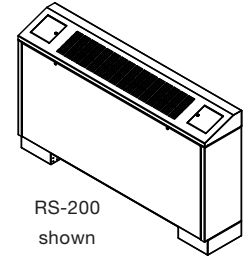
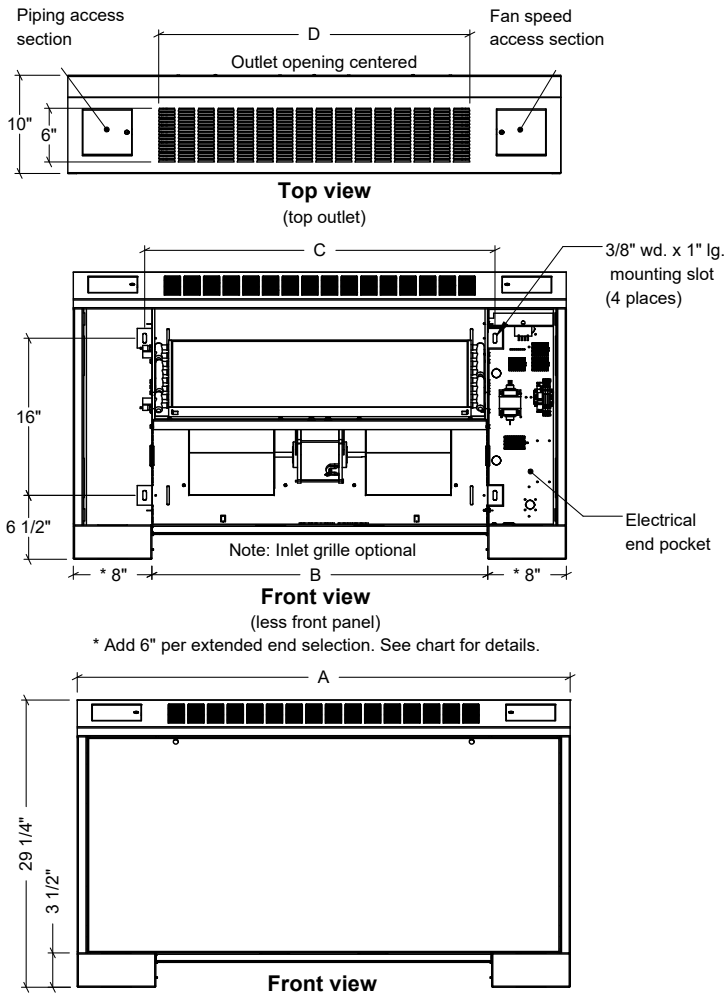
© Zehnder Rittling June 2018, English, subject to change without notice

# Rittling Cabinet Unit Heater Submittal Data



## Dimensions and data

## Models RS and RSI

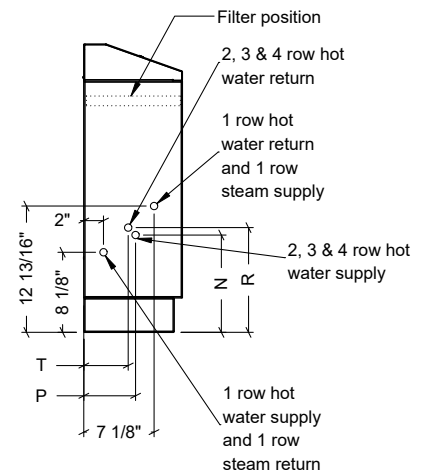


### Dimensional data

Unit size	A			B	C	D
	Std.	6" Ext.	6" Ext. x2			
02	38-3/16	44-3/16	50-3/16	22-3/16	24	20
03	44-3/16	50-3/16	56-3/16	28-3/16	30	26
04	50-3/16	56-3/16	62-3/16	34-3/16	36	32
06	62-3/16	68-3/16	74-3/16	46-3/16	48	44
08	68-3/16	74-3/16	80-3/16	52-3/16	54	50
10	76-3/16	82-3/16	88-3/16	60-3/16	62	58
12	86-3/16	92-3/16	98-3/16	70-3/16	72	68

### Notes:

- 1 and 2 row coil supply and return 1/2" nominal (5/8" OD) all sizes
- Inlet grill optional
- Unit shown with left hand piping connections and right hand electrical connections as standard
- Right hand piping connections with left hand electrical connections available as an option
- Piping hand determined when facing the air outlet
- All listed dimensions are approximate and are subject to change without notice
- Modifications to the product specifications must be accepted by Zehnder at its base office
- See [www.zehnder-rittling.com](http://www.zehnder-rittling.com) for any recent updates or changes



Revised June 1, 2018. Zehnder Rittling periodically makes changes to the design and/or specifications of its products. As a result, the design and specifications of each product at the time of order may be different than as described herein. Please contact Zehnder Rittling's Sales Support staff at 716-827-6510 for specific information on current design and specifications. Designs, specifications and other information contained herein are not express warranties, which are only as expressly set forth by Zehnder Rittling in its terms and conditions of sale. The latest version of this document is available at [www.zehnder-rittling.com](http://www.zehnder-rittling.com).

Zehnder Rittling · 100 Rittling Blvd. · Buffalo, NY USA 14220

T 716-827-6510 · F 716-218-2805 · [sales@zehnder-rittling.com](mailto:sales@zehnder-rittling.com) · [www.zehnder-rittling.com](http://www.zehnder-rittling.com)

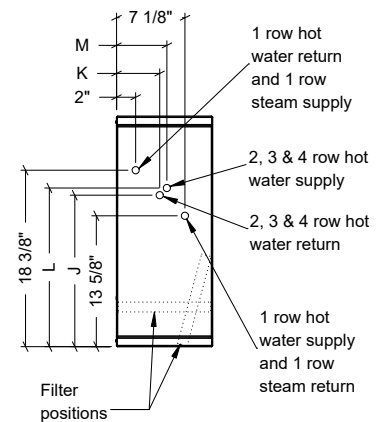
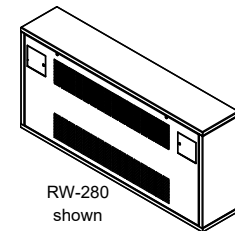
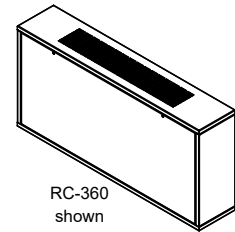
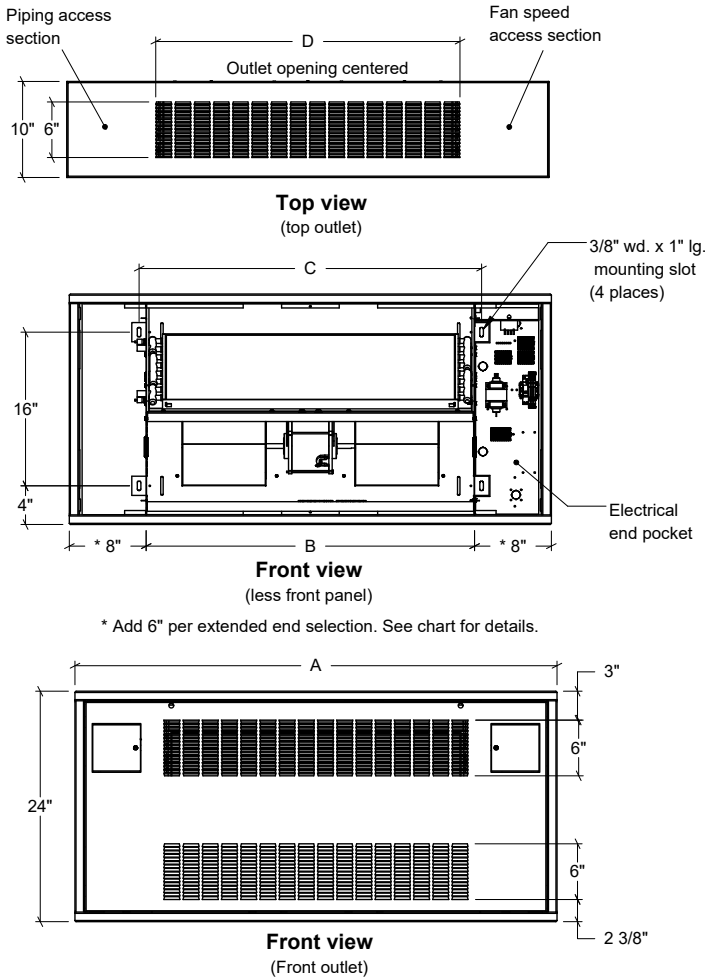
© Zehnder Rittling June 2018, English, subject to change without notice

# Rittling Cabinet Unit Heater Submittal Data



## Dimensions and data

## Model RW, RWI and RC



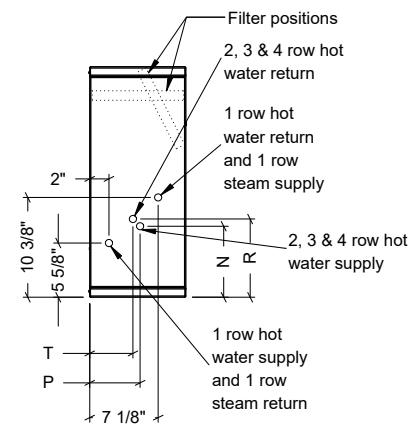
Side view: Model RW and RC

### Dimensional data

Unit size	A			B	C	Louvers		Ducted opening	
	Std.	6" Ext.	6" Ext. x2			D	E	F	G
02	38-3/16	44-3/16	50-3/16	22-3/16	24	20	6	18-3/8	5-1/8
03	44-3/16	50-3/16	56-3/16	28-3/16	30	26	6	24-3/16	5-1/8
04	50-3/16	56-3/16	62-3/16	34-3/16	36	32	6	30-3/16	5-1/8
06	62-3/16	68-3/16	74-3/16	46-3/16	48	44	6	42-3/16	5-1/8
08	68-3/16	74-3/16	80-3/16	52-3/16	54	50	6	48-3/16	5-1/8
10	76-3/16	82-3/16	88-3/16	60-3/16	62	58	6	56-3/16	5-1/8
12	86-3/16	92-3/16	98-3/16	70-3/16	72	68	6	66-3/16	5-1/8

### Notes:

- 1 and 2 row coil supply and return 1/2" nominal (5/8" OD) all sizes
- Inlet grill optional
- Unit shown with left hand piping connections and right hand electrical connections as standard
- Right hand piping connections with left hand electrical connections available as an option
- Piping hand determined when facing the air outlet
- All listed dimensions are approximate and are subject to change without notice
- Modifications to the product specifications must be accepted by Zehnder at its base office
- See [www.zehnder-rittling.com](http://www.zehnder-rittling.com) for any recent updates or changes



Side view: Model RWI

Revised June 1, 2018. Zehnder Rittling periodically makes changes to the design and/or specifications of its products. As a result, the design and specifications of each product at the time of order may be different than as described herein. Please contact Zehnder Rittling's Sales Support staff at 716-827-6510 for specific information on current design and specifications. Designs, specifications and other information contained herein are not express warranties, which are only as expressly set forth by Zehnder Rittling in its terms and conditions of sale. The latest version of this document is available at [www.zehnder-rittling.com](http://www.zehnder-rittling.com).

Zehnder Rittling · 100 Rittling Blvd. · Buffalo, NY USA 14220

T 716-827-6510 · F 716-218-2805 · [sales@zehnder-rittling.com](mailto:sales@zehnder-rittling.com) · [www.zehnder-rittling.com](http://www.zehnder-rittling.com)

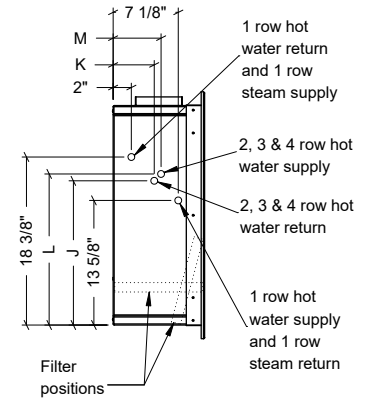
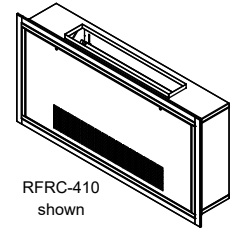
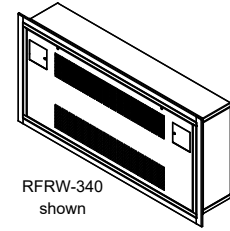
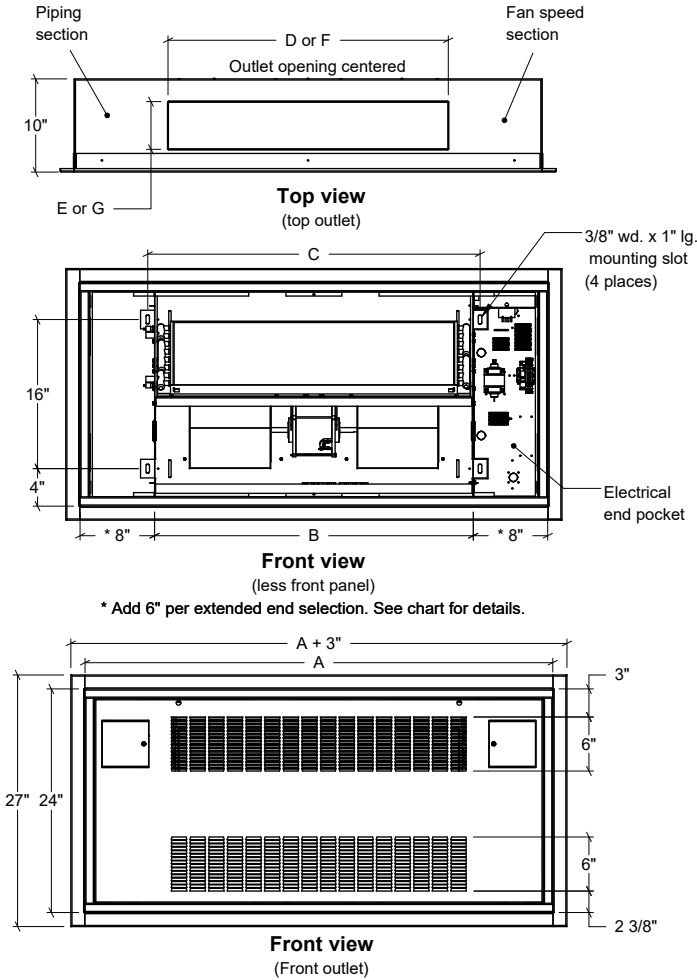
© Zehnder Rittling June 2018, English, subject to change without notice

# Rittling Cabinet Unit Heater Submittal Data



Dimensions and data

Models RRW, RFRW, RRC, RFRC, RRWI & RFRWI

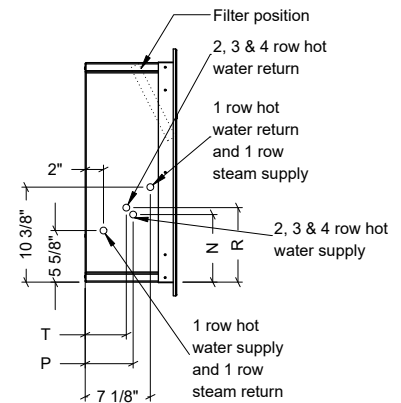


**Dimensional data**

Unit size	A			B	C	Louvers		Duct opening		H		
	Std.	6" Ext.	6" Ext. x2			D	E	F	G	Std.	6" Ext.	6" Ext. x2
02	38-3/16	44-3/16	50-3/16	22-3/16	24	20	6	18-3/8	5-1/8	41-3/16	47-3/16	53-3/16
03	44-3/16	50-3/16	56-3/16	28-3/16	30	26	6	24-3/16	5-1/8	47-3/16	53-3/16	59-3/16
04	50-3/16	56-3/16	62-3/16	34-3/16	36	32	6	30-3/16	5-1/8	53-3/16	59-3/16	65-3/16
06	62-3/16	68-3/16	74-3/16	46-3/16	48	44	6	42-3/16	5-1/8	65-3/16	71-3/16	77-3/16
08	68-3/16	74-3/16	80-3/16	52-3/16	54	50	6	48-3/16	5-1/8	71-3/16	77-3/16	83-3/16
10	76-3/16	82-3/16	88-3/16	60-3/16	62	58	6	56-3/16	5-1/8	79-3/16	85-3/16	91-3/16
12	86-3/16	92-3/16	98-3/16	70-3/16	72	68	6	66-3/16	5-1/8	89-3/16	95-3/16	101-3/16

**Notes:**

- 1 and 2 row coil supply and return 1/2" nominal (5/8" OD) all sizes
- Unit shown with left hand piping connections and right hand electrical connections as standard
- Right hand piping connections with left hand electrical connections available as an option
- Piping hand determined when facing the air outlet
- All listed dimensions are approximate and are subject to change without notice
- Modifications to the product specifications must be accepted by Zehnder at its base office
- See [www.zehnder-rittling.com](http://www.zehnder-rittling.com) for any recent updates or changes



Revised June 1, 2018. Zehnder Rittling periodically makes changes to the design and/or specifications of its products. As a result, the design and specifications of each product at the time of order may be different than as described herein. Please contact Zehnder Rittling's Sales Support staff at 716-827-6510 for specific information on current design and specifications. Designs, specifications and other information contained herein are not express warranties, which are only as expressly set forth by Zehnder Rittling in its terms and conditions of sale. The latest version of this document is available at [www.zehnder-rittling.com](http://www.zehnder-rittling.com).

Zehnder Rittling · 100 Rittling Blvd. · Buffalo, NY USA 14220

T 716-827-6510 · F 716-218-2805 · [sales@zehnder-rittling.com](mailto:sales@zehnder-rittling.com) · [www.zehnder-rittling.com](http://www.zehnder-rittling.com)

© Zehnder Rittling June 2018, English, subject to change without notice