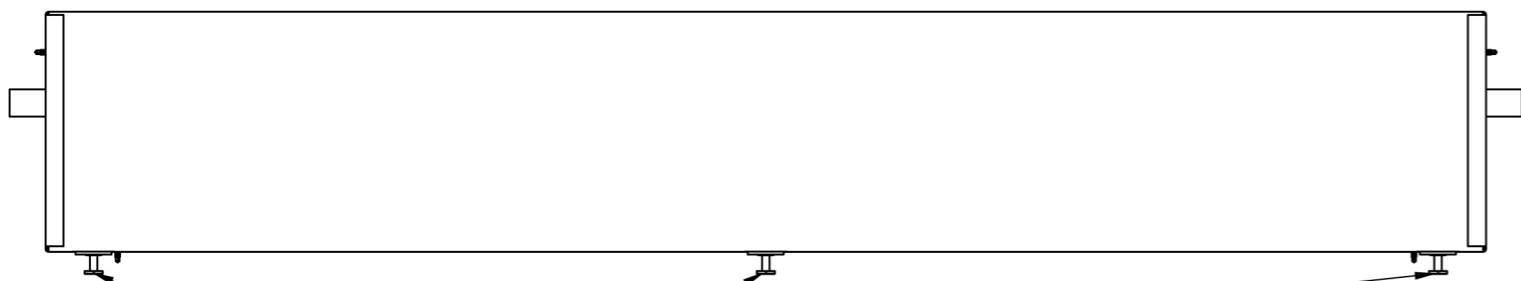
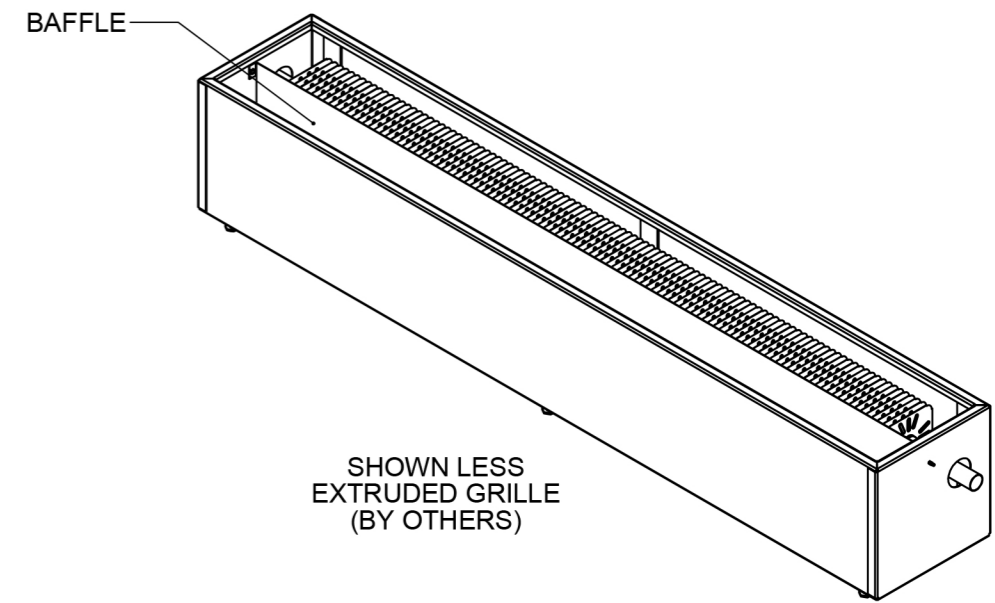
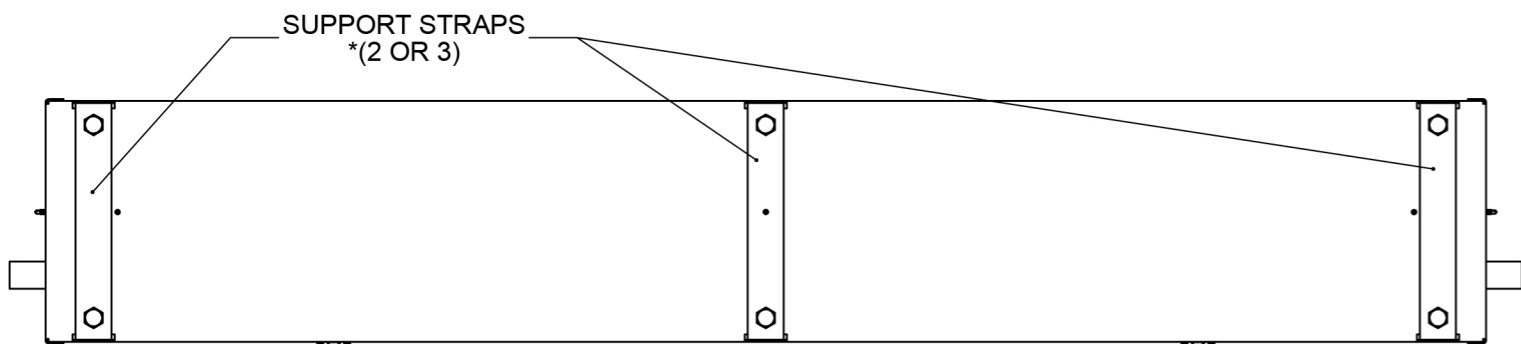


TOP VIEW
(SHOWN LESS EXTRUDED GRILLE)



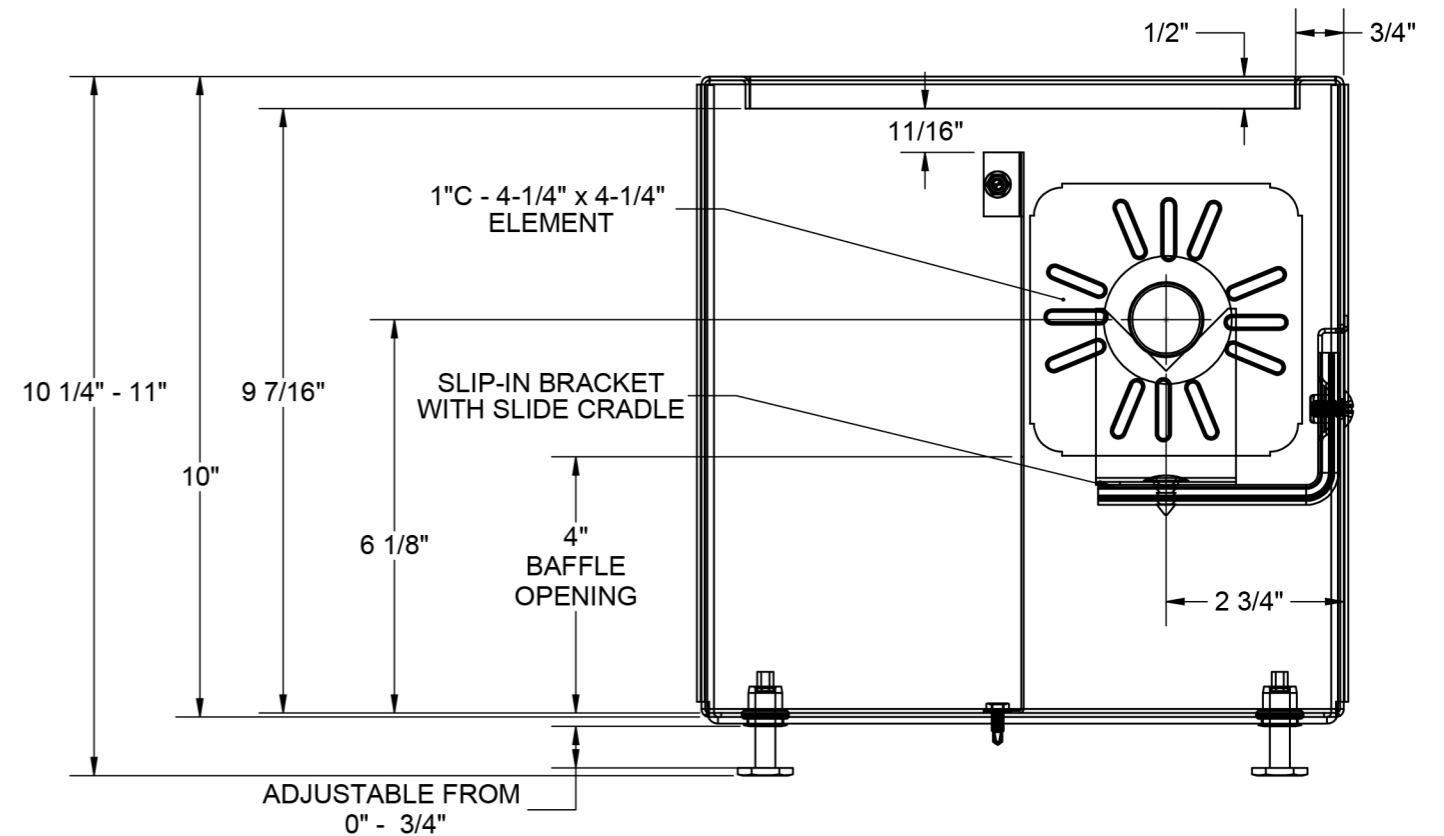
ADJUSTABLE LEGS
*(4 OR 6)

FRONT VIEW



SUPPORT STRAPS
*(2 OR 3)

BOTTOM VIEW



END VIEW

* 3-5FT. - 2 STRAPS, 4 LEGS
6-8FT. - 3 STRAPS, 6 LEGS

		BUFFALO, NEW YORK 14220	
		MODEL: 10"H X 10"W CSTM TRENCH BOX ENCLOSURE	MATERIAL: CRS
JOB:	REVISION: -	DWN BY: MFR	DATE: 6/26/19
DWG. TRENCH BOX-GENERAL			