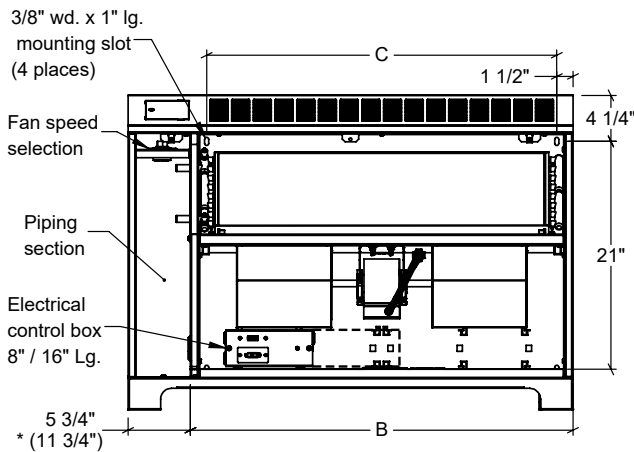
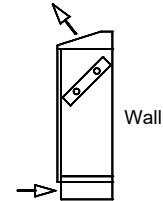
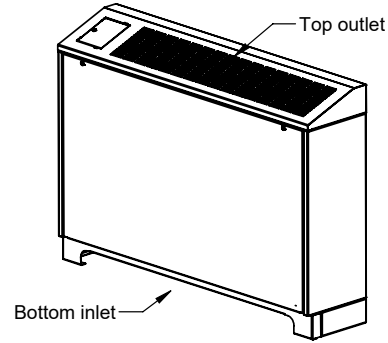
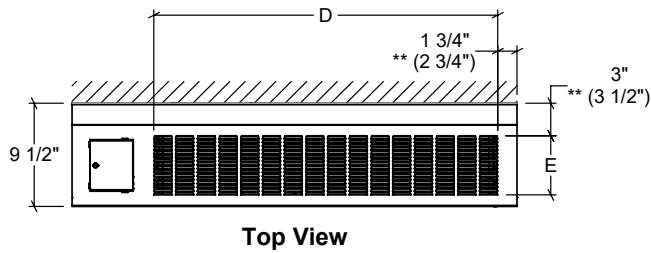


# Rittling Cabinet Unit Heater

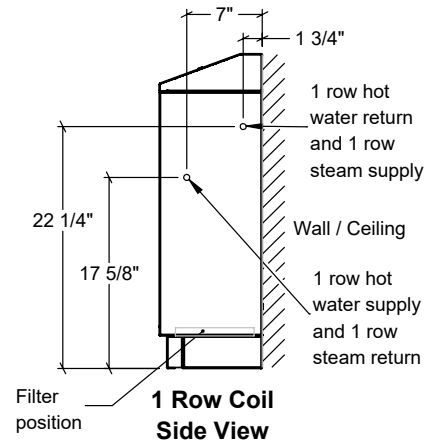
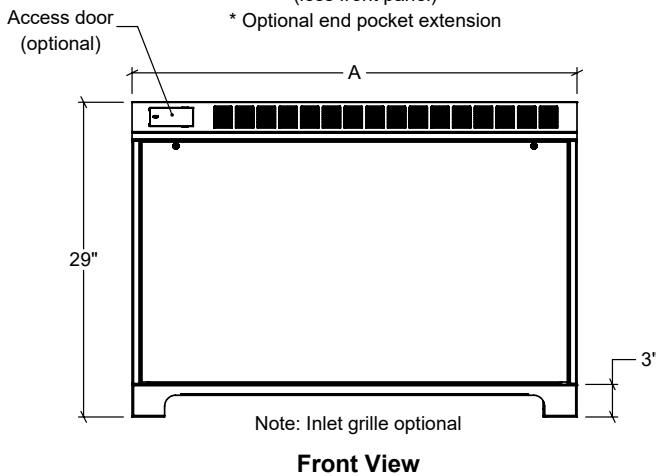
## Submittal Data

Model: RFS-200

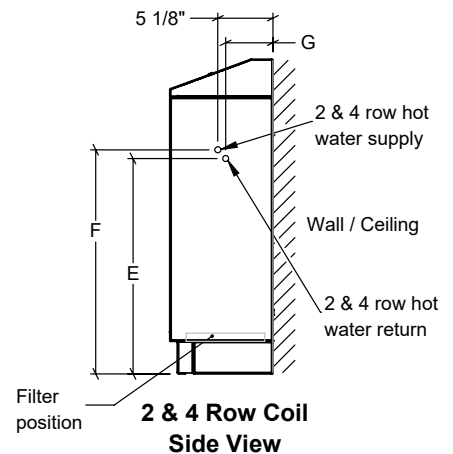
Dimensions and Data



Unit size	A		B	C	Louvers		** Bargrille	
	Std.	* 6" Ext			D	E	D	E
02	29	35	23-1/4	20-1/4	20	6	18	5
03	35	41	29-1/4	26-1/4	26	6	24	5
04	41	47	35-1/4	32-1/4	32	6	30	5
06	53	59	47-1/4	44-1/4	44	6	42	5
08	59	64	53-1/4	50-1/4	50	6	48	5
10	67	73	61-1/4	58-1/4	58	6	56	5
12	77	83	71-1/4	68-1/4	68	6	66	5



Dimensional data			
Coil	E	F	G
2 Row	19-7/8	20-5/8	4-3/8
4 Row	20-1/8	21-3/8	3-1/4



**Notes:**

- 1, 2, and 4 row coil supply and return connections are 1/2" nominal (5/8" OD) on all sizes
- Inlet grille optional
- Unit shown with left hand piping connections
- Right hand piping connections available as an option
- Piping hand determined when facing the air outlet
- All listed dimensions are approximate and are subject to change without notice
- Modifications to the product specifications must be accepted by Zehnder at its base office
- See [www.zehnder-rittling.com](http://www.zehnder-rittling.com) for any recent updates or changes